

INSTALLATION INSTRUCTIONS

IMPORTANT SAFEGUARDS

Read & Follow All Safety Instructions

When using electrical equipment, basic safety precautions should always be followed including:

1. Disconnect power before performing work on electrical equipment (using the light switch to turn off the power is not sufficient to prevent electrical shock)
2. Do not mount near gas or electric heaters
3. Do not install in unstable, loose or breakable surfaces and do not let objects impact or exert force on the surface of the fixture
4. Use caution when servicing batteries (Battery acid can cause burns to skin and eyes; If acid is spilled on skin or eyes, flush with water and contact a physician immediately)
5. Equipment should be mounted in locations and at heights where it will not be subjected to tampering by unauthorized personnel
6. The use of accessory equipment not recommended by Beghelli Inc may cause an unsafe condition and will void the unit's warranty
7. Do not use this equipment for other than its intended purpose
8. Installation and servicing of this equipment should be performed by a qualified electrician familiar with the product and the hazards involved
9. Allow battery to charge for 24 hours before first use
10. To prevent wiring damage or abrasion, do not expose wiring to edges of sheet metal or other sharp objects



WARNING

1. Verify correct supply voltage by comparing it with the luminaire label information
2. All wiring connections should be capped with UL approved wire connectors
3. Use minimum 90°C Supply Wires



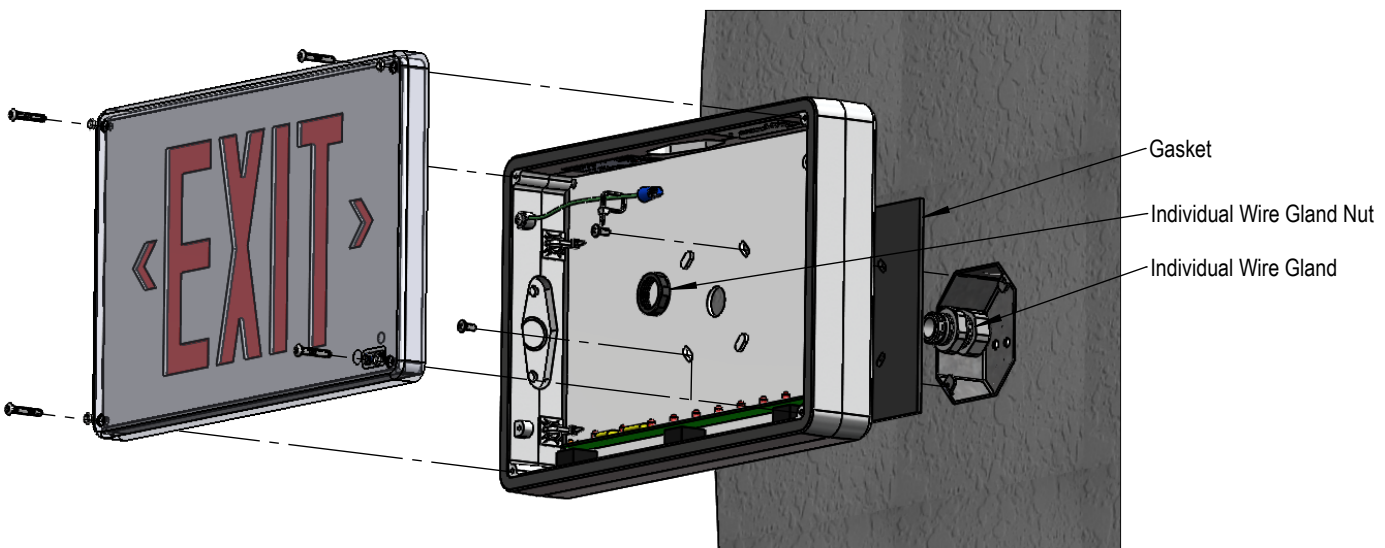
CAUTION

1. Avoid direct eye exposure to the light source while it is on
2. Beware- small parts and packing material may be hazardous to children
3. Risk of burn; Disconnect power and allow fixture to cool before handling fixture

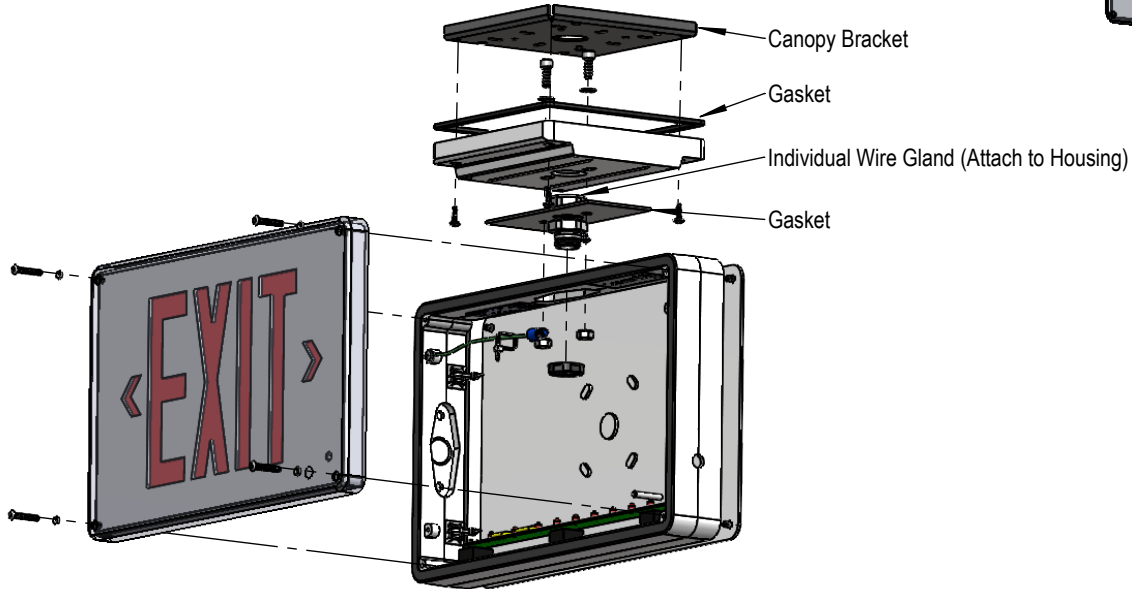
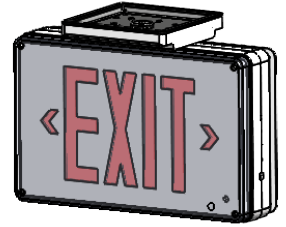
SAVE THESE INSTRUCTIONS



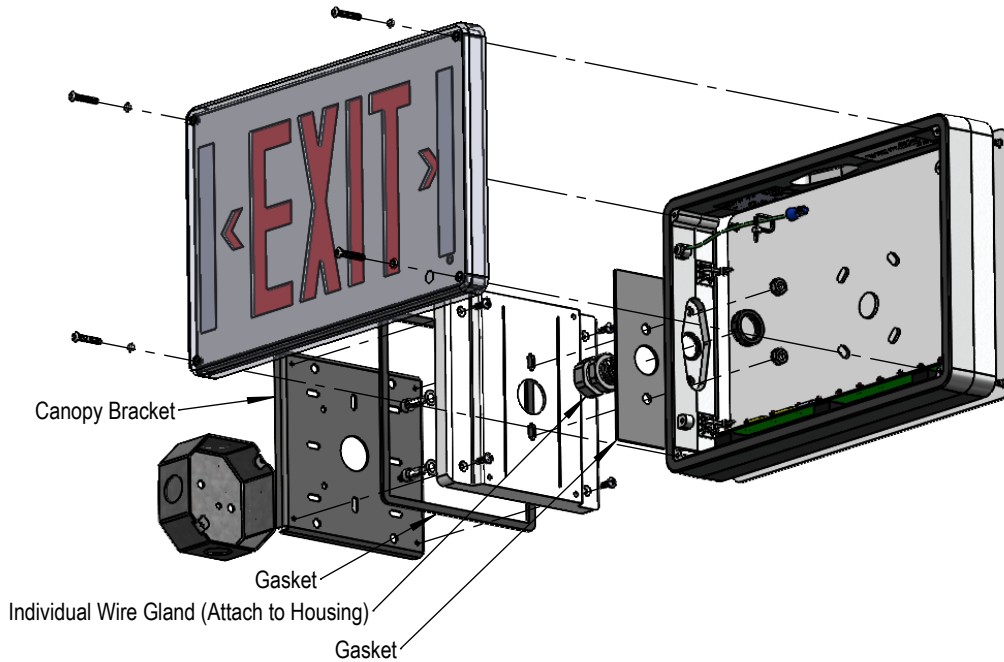
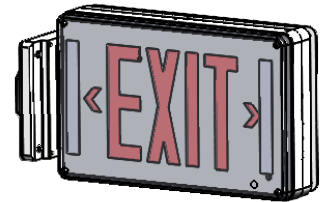
WALL MOUNT



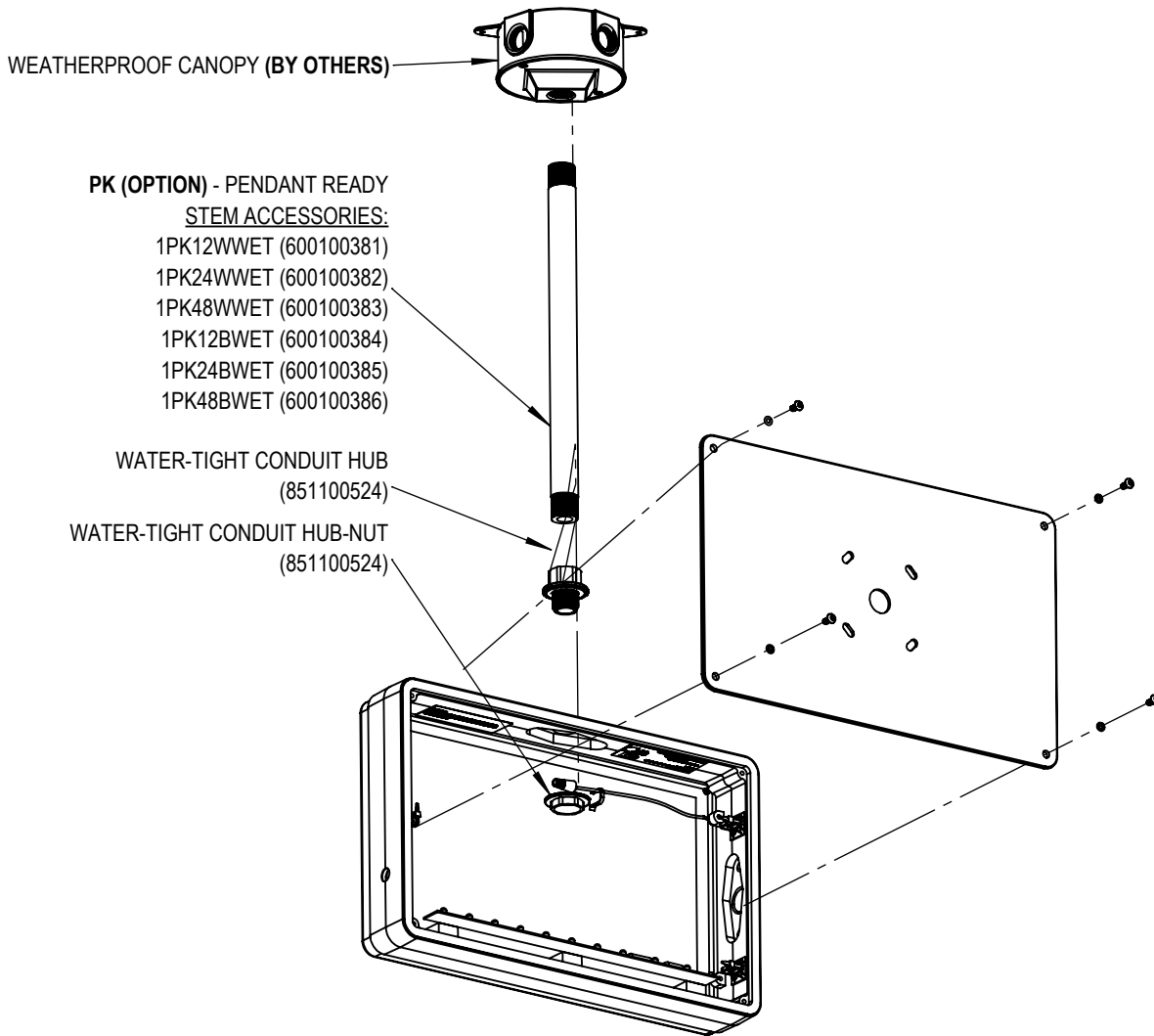
CEILING MOUNT



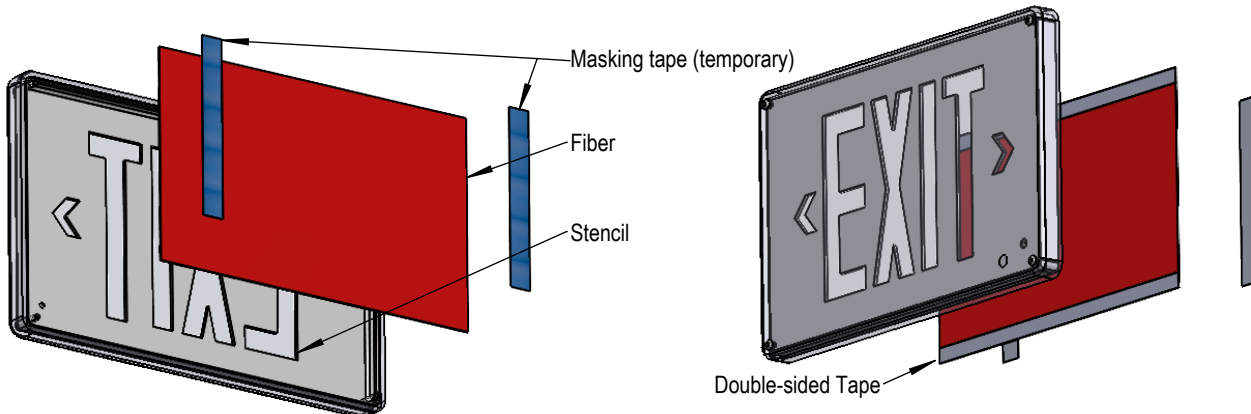
END MOUNT



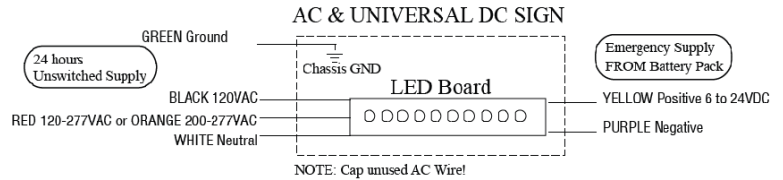
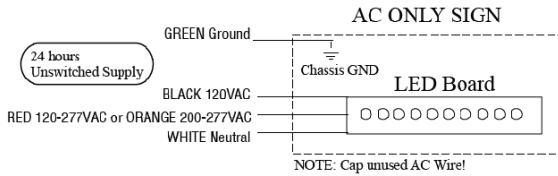
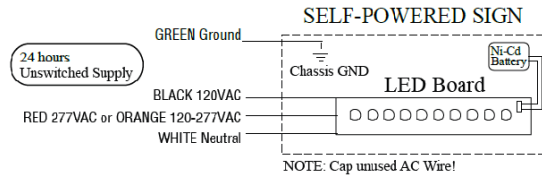
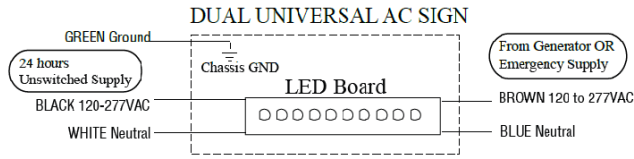
STEM MOUNT



NOTE: After the Arrow knock-out is removed, re-install the Fiber by peeling off the backing of the Double-sided Tape.



WIRING DIAGRAM



BATTERY CONNECTION

CAUTION: REVERSE POLARITY WILL DAMAGE THE BOARD AND VOID FIXTURE WARRANTY

