

Hi-Lo-Off PIR In-fixture Photo/ Motion Sensor

Overview

The FSP221 is a passive infrared (PIR) outdoor sensor that raises or lowers the electric lighting level to high, low or off based on motion and/ or daylight contribution. Typically, once the sensor stops detecting movement and the time delay elapses, lights will first fade to low mode, and eventually switch off. When motion is detected, the sensor ramps the light level to high mode unless the daylight contribution is sufficient. The integral photocell can also switch the lights on and off for dusk to dawn control so that lighting remains on overnight even without motion detection.

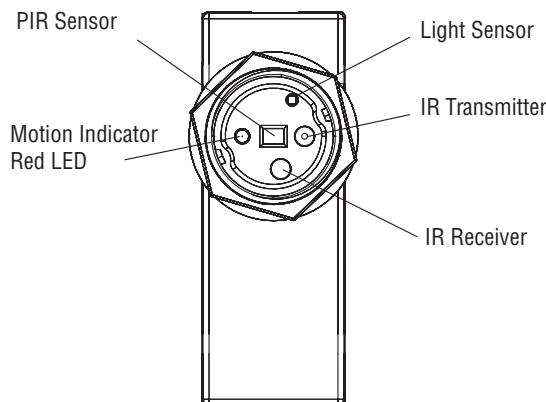
This slim, low-profile sensor is designed for installation inside the bottom of a light fixture body and is UL Listed for Wet and Cold Locations.

Initial setup and subsequent sensor adjustments are made using a wireless handheld configuration tool (HHRFSIR). This tool enables adjustment of sensor parameters including high/low mode, sensitivity, time delay, cut off and more.

The HHRFSIR can read current parameter settings and stores up to six sensor parameter profiles to speed commissioning of multiple sensors.



FSP221 Sensor Module



Construction:

- Polycarbonate, flame retardant, UV resistant, impact resistant, recyclable
- Meets materials restrictions of RoHS

How to Order

Fixture Option	Description
FSP221	Wattstopper FSP221 in-fixture PIR photo & motion sensor

Note: Compatible with most Beghelli lighting fixtures, consult fixture specs

Summary

Input Voltage: 120-347VAC (single phase)

Load Ratings: @ 120V 0–800W tungsten, ballast, LED driver; 1/6hp motor; @ 230–240V 0–300W ballast, LED driver; @ 277V 0–1200W ballast, LED driver; 1/6hp motor; @ 347/480V 0–1200W ballast, LED driver, 1/6hp motor

0-10V sinking current: 50mA

Lenses: 3 options for mounting between 8' and 40'

Remote setup and adjustment: HHRFSIR handheld wireless configuration accessory

Adjustable high and low modes: high: 0 to 10V; low: off, 0 to 9.8V

Adjustable time delay: 30 seconds, 5 to 30 minutes

Adjustable cut off delay: none, 1 to 59 minutes, 1 to 5 hours

Adjustable sensitivity: low, med, max

Adjustable setpoints: hold off setpoint (none, 1 to 250 fc, auto); photocell on/off setpoint (1 to 250 fc)

Adjustable ramp and fade times: 1 to 60 sec

Lead length: 36" (91.44cm)

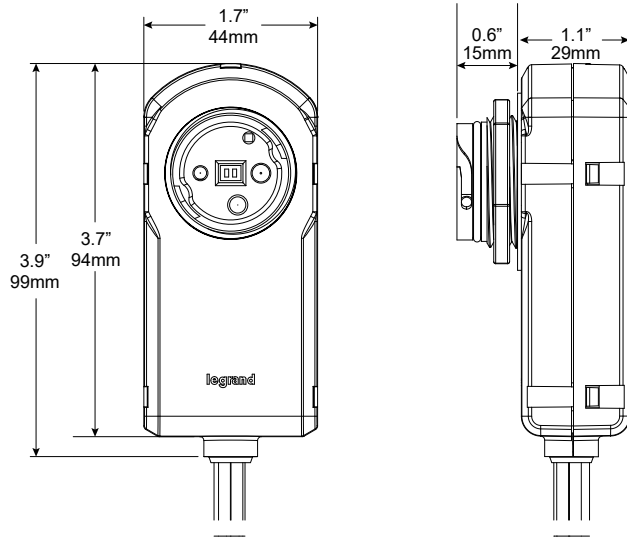
Operating Temperature: -40°F to 167°F (-40°C to 75°C)

Listings & Certifications: UL and cUL; CE; TUV; IP66

HHRFSIR is FCC Part 15 compliant

Warranty: 5 years

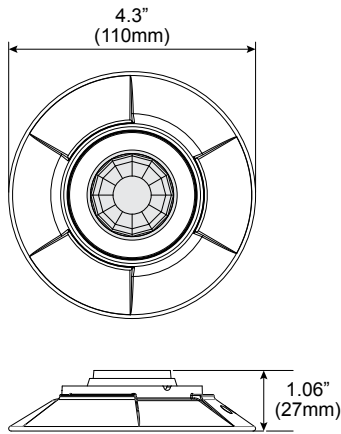
Physical Dimensions



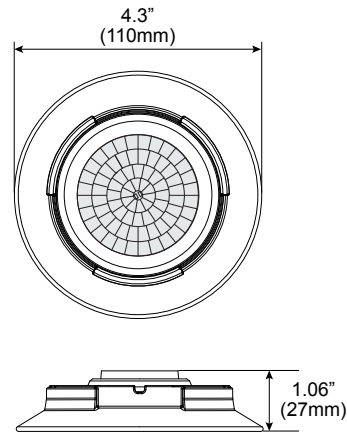
DIMENSIONS OF LENS OPTIONS

The lens includes a shroud, which blocks high-angle light coming from the fixture, to improve photocell performance. With the shroud attached, the dimensions for all three lenses are identical

FSPL2 & FSPL3

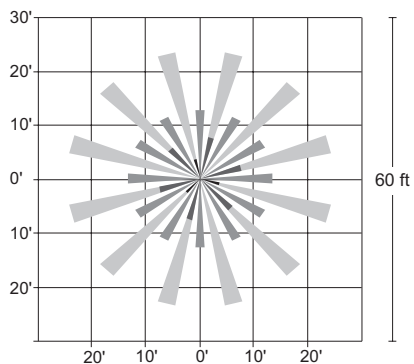


FSPL7

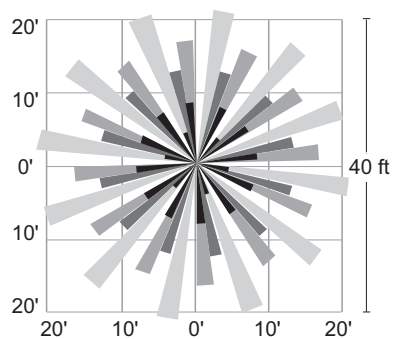


DIMENSIONS OF LENS OPTIONS

FSPL2
top and side
coverage patterns



FSPL3
top and side
coverage patterns



FSPL7
top and side
coverage patterns

