

STELLALUCE COMBO



Job: _____	Type: _____
Model: _____	Date: _____



■ internal

The **STELLALUCE COMBO** series is configured with a two-wire universal 120-347VAC 60 Hz input. Solid state microprocessor controlled circuitry also includes brownout protection, battery and charge circuit monitoring, LED failure detection and reverse polarity protection.

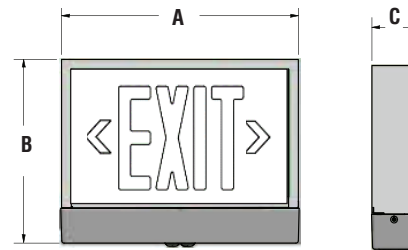
■ external

The **STELLALUCE COMBO** sign housing is constructed from 20 gauge steel with a die-cast aluminum housing; both standard in a white baked powder coat finish. Available in custom finishes (please specify). Single, double or universal face versions.

■ LED technology

The **STELLALUCE COMBO** uses four 2.5W Samsung LEDs that deliver 751-900 lm. LED modules are configured in parallel. If one module fails, the other remains illuminated. A high-efficiency LED driver is used to maintain a constant output current to all LEDs. The LEDs are rated for >54,000 hours at L80.

■ dimensions (in, mm.)



Series	A	B	C
SL-PL	12.25" 311mm	9.37" 238mm	2.25" 57mm

■ ordering information

EXAMPLE: SL PL 12 10 LR1 W

Series	Volts/Watts	LED	Face	Mounting	Options
SL PL	12 10	LR (red)	1 (single)	W (wall)	120SA (120 min emergency, SA only)
		LG (green)	2 (double)	C (ceiling)	AT (autotest)
			U (universal)	M (universal)	CC (custom color - specify)
Accessories					TP (tamper proof screws)
1PK12W (12" white pendant kit)					
WG3DX16.5LX14W WHT (wireguard)					

■ mechanical

The **STELLALUCE COMBO** features a universal mounting pattern and key hole slots are stamped on the backplate. Surface mount conduit entry knockouts are also provided. The exit sign is held securely in place with a channel system that allows it to slide in the frame providing complete access to the interior of the sign. No hardware is used that would detract from the clean, modern design. The **STELLALUCE COMBO** is suitable for surface ceiling, wall mounting, and indoor installations.

■ battery

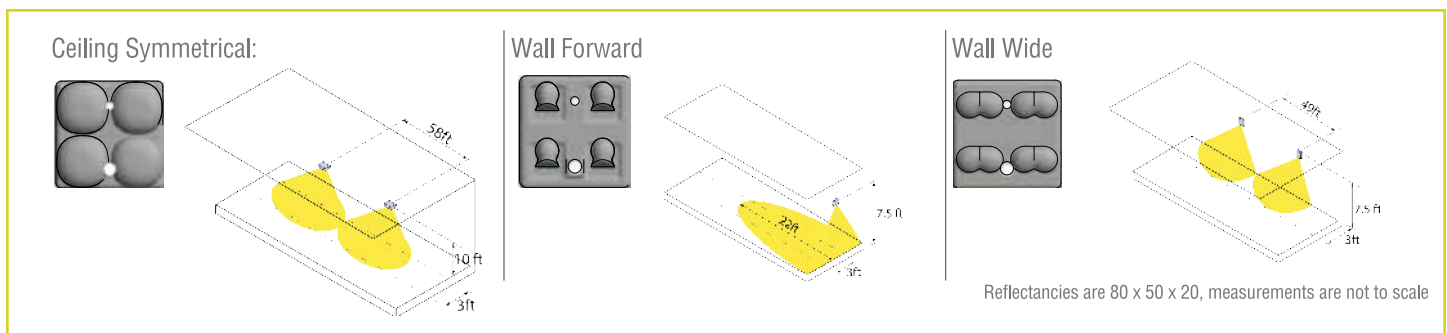
The **STELLALUCE COMBO** comes standard with a Ni-Cd battery pack that provides a minimum of 30 minute emergency duration. Optional 90 or 120 minute run time is available. The battery operating temperature is from 50°F up to 104°F (10°C to 40°C).

The **STELLALUCE COMBO** utilizes a high-efficiency two stage charger providing precise float voltage control with low voltage disconnect protection. Program controlled trickle charge current is provided by the charging unit in order to maintain the optimum performance of the Ni-Cd/Ni-Mh battery. All components used in the circuitry are temperature compensated. The charger also has brownout and short circuit protection. Charger status is easily determined via a multi-colored diagnostic LED indicator which displays AC/ON and High Charge. An external push button test switch allows maintenance personnel to quickly activate any manual tests on the fixture.

■ lenses

The **STELLALUCE COMBO** surface is supplied with 3 lenses for a choice of distribution patterns. These custom designed lenses are constructed of optical grade polycarbonate. The symmetrical ceiling distribution is suitable for use in open areas with spacing of up to 58' on center. The wall mounted wide lens provides an asymmetrical distribution with spacing up to 49' on center. The wall mounted forward lens provides an asymmetrical distribution with a 22' x 6' wide path of egress.

■ lens distribution patterns



■ AC input ratings

Voltage (VAC)	Wattage (W)	Rated Current (A)
120/277/347	4.5/5.0/5.1	0.15/0.10/0.05

■ autotest

The Beghelli auto-test system automatically performs one 5 minute discharge test monthly and every 6 months it performs two full discharge tests, 24 hours apart. This tests both full battery capacity and recharge capability. The information is communicated simply and intuitively to maintenance personnel via a single multi-color LED. A manual Test feature is included when the Auto-test option is selected. The manual test will run a 30 second, 15 minute or 90 minute test by pressing the correct sequence of the test switch.

■ warranty

The **STELLALUCE COMBO** comes with a 5-year factory warranty. Deliberate damage, misuse and/or improper installation effectively cancel the warranty.