

NUVOLA



HIGH BAY

- **NUVOLA** is a low profile high-bay series designed for commercial and industrial applications.
- **NUVOLA:** Please note that the VLO configuration is not offered with medium wide distribution (MWD), and does not qualify for DLC. The standard mounting bracket is non adjustable.
- **DIFFUSER:** The standard lens is 3 mm thick impact resistant clear glass with a black ring.
- **LUMENS:**
 - VLO:** 10,082 - 10,508 lms
 - MO:** 17,319 - 19,548 lms
 - HO:** 30,271 - 31,609 lms
 - VHO:** 37,732 - 37,782 lms
- **OPERATING TEMP:**
 - HT (AC Only) -30°C to 50°C (-22°F to 122°F).



APPLICATION: NUVOLA is ideal for use in malls, warehouses, highways, toll stations, gas stations, supermarkets, exhibition halls, stadiums, factories, gymnasiums, loading docks, logistic centers, and open ceiling environments.

AVAILABLE MODELS

| Model | Item | Description (wet / IP65 / Cold / DLC) |
|---------------------------------------|-----------|---|
| NUV HT VLO WT40 VWD 120-277V HK | 117102567 | AC only, 90W, 4000K, very wide distribution (120°), black housing, hook mount |
| NUV HT VLO WT40 WBD 120-277V | 117102510 | AC only, 90W, 4000K, wide beam distribution (90°), black housing |
| NUV HT VLO WT30 VWD 120-277V | 117102098 | AC only, 90W, 3000K, very wide distribution (120°), black housing |
| NUV HT VLO WT40V WD 120-277V | 117102099 | AC only, 90W, 4000K, very wide distribution (120°), black housing |
| NUV HT VLO WT50 VWD 120-277V | 117102100 | AC only, 90W, 5000K, very wide distribution (120°), black housing |
| NUV HT LO WT40 VWD 120-277V | 117102102 | AC only, 120W, 4000K, very wide distribution (120°), black housing |
| NUV HT MO WT50 MWD 120-277V | 117102097 | AC only, 150W, 5000K, medium wide distribution (50°), black housing |
| NUV HT MO WT30 WBD 120-277V | 117103769 | AC only, 150W, 3000K, wide beam distribution (90°), black housing |
| NUV HT MO WT30 VWD 120-277V | 117102104 | AC only, 150W, 3000K, very wide distribution (120°), black housing, wire guard, pendant mount |
| NUV HT MO WT40 VWD 120-277V | 117102105 | AC only, 150W, 4000K, very wide distribution (120°), black housing |
| NUV HT MO WT40 VWD 120-277V IOS WG PK | 117104004 | AC only, 150W, 4000K, very wide distribution (120°), black housing, wire guard, pendant mount |
| NUV SA MO WT40 VWD 120-277V IOS WG PK | 117104005 | AC & EM, 150W, 4000K, very wide distribution (120°), black housing, occ sensor, wire guard, pendant mount |
| NUV HT MO WT50 VWD 120-277V | 117102106 | AC only, 150W, 5000K, very wide distribution (120°), black housing |
| NUV SA MO WT50 VWD 120-277V | 117102505 | AC & EM, 150W, 5000K, very wide distribution (120°), black housing |
| NUV HT HO WT30 VWD 120-277V | 117102107 | AC only, 240W, 3000K, very wide distribution (120°), black housing |
| NUV HT HO WT40 VWD 120-277V | 117102108 | AC only, 240W, 4000K, very wide distribution (120°), black housing |
| NUV HT HO WT40 VWD 120-277V IOS WG PK | 117104007 | AC only, 240W, 4000K, very wide distribution (120°), black housing, occ sensor, wire guard, pendant kit mount |
| NUV HT VHO WT50 WBD 120-277V | 117104172 | AC only, 240W, 4000K, wide beam distribution (90°), black housing |
| NUV SA HO WT40 VWD 120-277V IOS WG PK | 117104008 | AC & EM, 240W, 4000K, very wide distribution (120°), black housing, occ sensor, wire guard, pendant kit mount |

* For Mounting Accessories and Controls, contact factory

NUVOLA

ADDITIONAL INFORMATION

ELECTRICAL

- AC Input: 100-277V, 50-60HZ

POWER LINE/FEED:

- 18/3 power cord (AC input), 60" long.
- 22/2 power cord (Dim+/ Dim-), 12" long.

HOUSING:

- Corrosion resistant die-cast aluminum with black powder coat finish. Silicone perimeter gasket provides IP65 protection. Eye bolt is standard.

- VLO and MO:** Stainless steel eye bolt.
- HO and VHO:** Aluminum alloy eye bolt.

DIMMING:

- 1-10V dimming is standard (10-100%). For 120-277V compatible dimmer: LUTRON DVTV & PP-120H POWER PACK. Contact factory for others.

PERFORMANCE:

- Performance based on 4000K CCT in a controlled environment. Please see the energy chart or photometric files for more info.

MOUNTING:

- Mount bracket available for surface/wall and pendant mounting.
- Suspension height is to be specified when ordering CH mount.

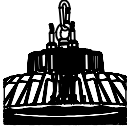
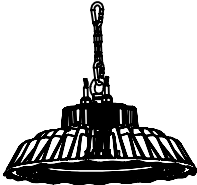
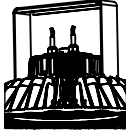

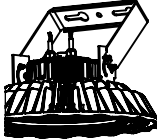
WEIGHT: NUV-HT-VLO = 6.8 lbs / 3.1kgs
 NUV-HT-MO = 13 lbs / 5.8 kgs
 NUV-HT-HO = 17 lbs / 7.8 kgs
 NUV-HT-VHO = 20 lbs / 9.1 kgs

WARRANTY: 5 year warranty, see website for full warranty details.

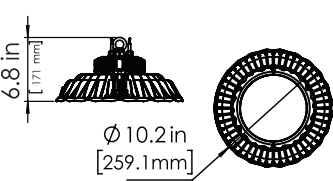
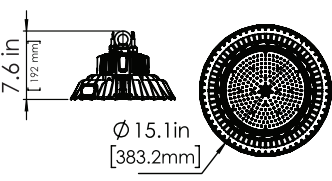
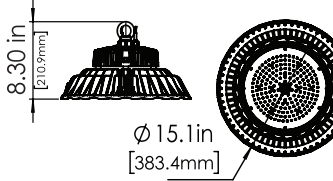
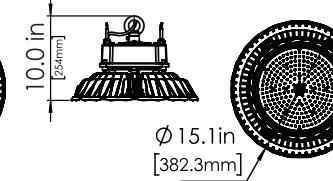
DLC DETAILS:

| | VWD (120°) | | WBD (90°) | | MWD (60°) | |
|-----------|-------------|-------------|-------------|-------------|-------------|-------------|
| | 4000K | 5000K | 4000K | 5000K | 4000K | 5000K |
| VLO(90W) | DLC | DLC | DLC | DLC | DLC | DLC |
| MO(150W) | DLC | DLC PREMIUM | DLC | DLC | DLC | DLC |
| HO(240W) | DLC PREMIUM | DLC PREMIUM | DLC PREMIUM | DLC PREMIUM | DLC PREMIUM | DLC PREMIUM |
| VHO(300W) | DLC PREMIUM | DLC PREMIUM | DLC PREMIUM | DLC PREMIUM | DLC PREMIUM | DLC PREMIUM |

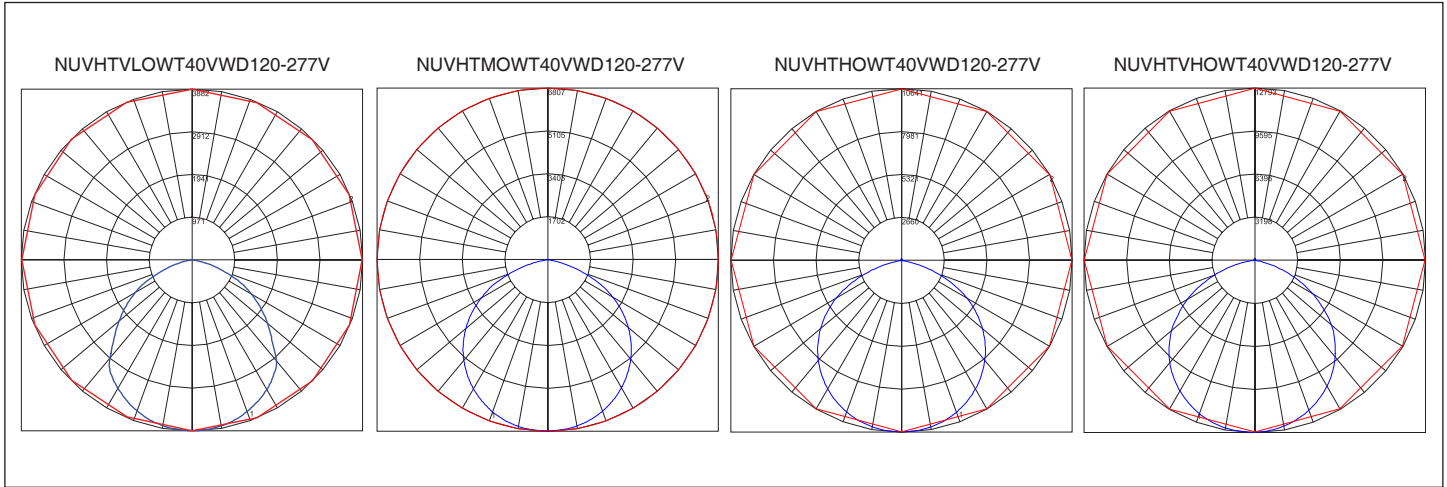
MOUNTING OPTIONS

| | | | | |
|--|---|--|---|---|
| <p>HK (HOOK MTG. KIT)</p>  | <p>1CH48, 1CH48NUV300 (CHAIN HANG KIT) (TYP. 12", 24", 36", 48") (OTHER SPECIFY)</p>  | <p>MBNUV (SURFACE/WALL MTG. BRACKET) (HARDWARE BY OTHERS)</p>  | <p>1PK24WNUV, 1PK48WNUVx (PENDANT KIT) (TYP. 12"; 24"; 48") (OTHER SPECIFY)</p>  | <p>ABNUVx (SURFACE/WALL MTG. BRACKET) (AIMABLE 45° BOTH SIDE) (HARDWARE BY OTHERS)</p>  |
|--|---|--|---|---|

DIMENSIONS

| | | | |
|---|---|---|---|
| <p>VLO / 90w</p>  <p>6.8 in [171 mm] \varnothing 10.2 in [259.1 mm]</p> | <p>MO / 150w</p>  <p>7.6 in [192 mm] \varnothing 15.1 in [383.2 mm]</p> | <p>HO / 240w</p>  <p>8.30 in [210.9 mm] \varnothing 15.1 in [383.4 mm]</p> | <p>VHO / 300w</p>  <p>10.0 in [254 mm] \varnothing 15.1 in [382.3 mm]</p> |
|---|---|---|---|

DISTRIBUTION



ENERGY CHART

| MODEL | EFFICACY (Lumens/Watts) | CONSUMPTION WATTAGE (W) | LUMEN OUTPUT (LM) | CRI | L70 (hrs.) |
|---------------------|-------------------------|-------------------------|-------------------|-----|------------|
| NUV-HT-VLO-WT30-VWD | 111 | 90 | 10082 | >80 | >60,000 |
| NUV-HT-VLO-WT40-VWD | 115 | 90 | 10337 | >80 | >60,000 |
| NUV-HT-VLO-WT50-VWD | 115 | 90 | 10508 | >80 | >60,000 |
| NUV-HT-MO-WT30-VWD | 116 | 150 | 17319 | >80 | >60,000 |
| NUV-HT-MO-WT40-VWD | 129 | 150 | 19315 | >80 | >60,000 |
| NUV-HT-MO-WT50-VWD | 132 | 150 | 19548 | >80 | >60,000 |
| NUV-HT-HO-WT30-VWD | 129 | 240 | 30271 | >80 | >60,000 |
| NUV-HT-HO-WT40-VWD | 125 | 240 | 30097 | >80 | >60,000 |
| NUV-HT-HO-WT50-VWD | 123 | 240 | 31609 | >80 | >60,000 |
| NUV-HT-VHO-WT50-VWD | 130 | 300 | 37782 | >80 | >60,000 |

ELECTRICAL RATING

| PRODUCT | NOMINAL POWER (W) | AC CURRENT (A) | | FREQUENCY (HZ) | DC VOLTAGE (V) | DC CURRENT (MA) |
|-----------------|-------------------|----------------|------|----------------|----------------|-----------------|
| | | 120V | 277V | | | |
| NUVHTVLOWT40VWD | 90 | 0.75 | 0.32 | 50/60 | 43 | 1900 |
| NUVHTMOWT40VWD | 150 | 1.25 | 0.54 | 50/60 | 49 | 2700 |
| NUVHTHOWT40VWD | 240 | 2.00 | 0.87 | 50/60 | 49 | 4400 |
| NUVHTVHOWT40VWD | 300 | 2.50 | 1.08 | 50/60 | 49 | 5500 |

DIMMER COMPATIBILITY

| DIMMER | COMPATABILITY | |
|---|---------------|---------|
| | ON / OFF | DIMMING |
| LUTRON - DIVA - DVTV | YES | YES |
| NSTV - DV (NOVA) | YES | YES |
| POWER PACK | | |
| LUTRON PP-DV (120-277V, 50/60Hz, 6.5W) | | |
| <p>NOTE: To guarantee the dimming operation, the switches should be connected to the corresponding nominal voltage power pack.</p> | | |