

IMPORTANT SAFEGUARDS

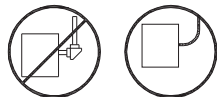
Read & Follow All Safety Instructions

When using electrical equipment, basic safety precautions should always be followed including:

1. Disconnect power before performing work on electrical equipment
2. Do not use outdoors
3. Do not mount in hazardous locations nor near gas or electric heaters
4. Do not let power cords touch hot surface
5. Equipment should be mounted in locations and at heights where it will not be subjected to tampering
6. The use of accessory equipment not recommended by Beghelli Inc. may cause an unsafe condition, and will void the unit's warranty
7. Do not use this equipment for other than its intended purpose
8. Servicing of this equipment should be performed by qualified service personnel
9. Allow battery to charge for 24 hours before first use
10. DO NOT install in unstable, loose or breakable surfaces
11. DO NOT let objects impact or exert force on the surface of the fixture

SAVE THESE INSTRUCTIONS!

Use Flexible Conduit Only



MAINTENANCE

Battery will have to recharge if the product is kept in stock for over 12 months. We recommend that the equipment be tested regularly in accordance with local codes. Replace the batteries as needed if the discharge time is less than 90 minutes.

OPERATION

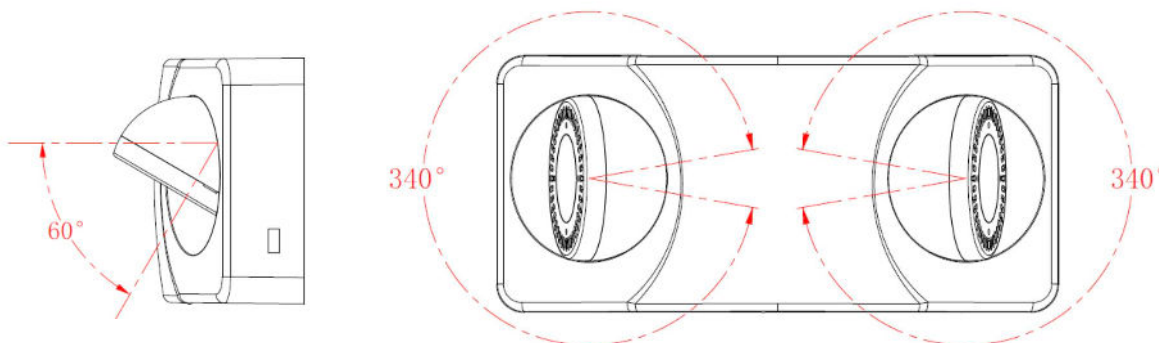
Press the test button. The LED heads will turn on and the LED indicator will turn off. When releasing the test switch, the LED indicator will turn on and the LED heads will turn off.

TROUBLESHOOTING GUIDE

If LED lamps or LED indicator do not illuminate, check the following:

1. Check AC supply - verify that unit has 24 hours AC supply
2. Check the battery connection
3. Discharge battery, then permit unit to charge for 24 hours before re-test
4. If above troubleshooting hints do not solve problem, contact factory for assistance

LAMP AIMING



MOUNTING INSTRUCTIONS

Wall Mount-Back Power Feed (see Fig. 2)

1. Use flat screw driver to pry off front cover from back plate. (see Fig. 1)
2. Remove appropriate knockout in backplate.
3. Feed wires through the hole.
4. Secure backplate to J-box.
5. Connect the fixture wires to the power supply wires using the wire nuts provided. Connect the white wire to neutral, connect the black wire to the hot lead. Cap the unused lead. Press the wires into the J-box (see Wiring Diagram below)
6. Connect remote wires if unit has remote capability. Refer to below instruction for remote wires.
7. Plug battery male connector into battery female connector on PCBA. (see Fig. 2)
8. Snap the front cover onto the back plate.
9. Restore power and press test button. LED lamp heads will turn on.
10. Adjust the direction of the lamp heads, as needed.

Wall Mount-Top Power Feed (see Fig. 3)

1. Open front cover and remove top knockout on the top flange of fixture.
2. Secure conduit (or surface raceway) to knockout and feed wires.
3. Remove appropriate knockout on back plate and mount to wall.
4. Follow steps 5 - 10 in Wall Mount-Back Power Feed above.

Ceiling Mount (see Fig. 4)

Refer to above Wall Mount-Back Power Feed instructions.

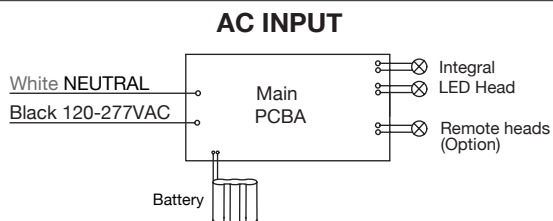
Here are some differences:

- Mount back plate on the ceiling surface instead of wall surface.
- Feed building AC supply wire through back plate then connect to fixture power supply wires using wire nuts provided.

Connecting Remote Head (Option)

Connect extended remote head wires to remote wires using wire nuts. Yellow is positive(+), Purple is negative(-). 9V 5.4W is max. remote capability for this product.

Wiring Diagram



Open fixture

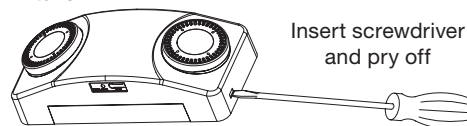


FIG.1

Wall Mount-Back Power Feed

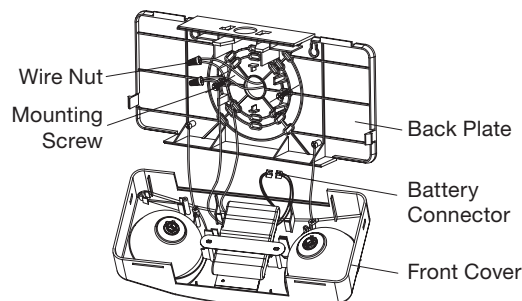


FIG.2

Wall Mount-Top Power Feed

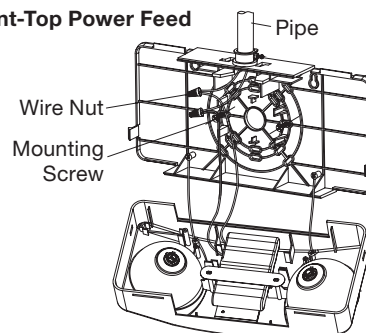


FIG.3

Ceiling Mount-Top Power Feed

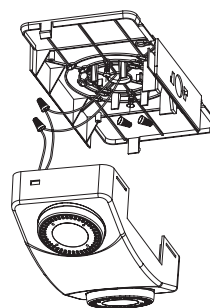


FIG. 4

Mounting Height

BBX-SE
BBX-SE-HO

Max. mounting height 35 ft
Max. mounting height 50 ft