

BOXLED® MINI



LOWBAY

- **BOXLED® MINI** Lowbay luminaire for commercial and industrial applications.
- **OPTICS:** Polished aluminum reflector with symmetric or asymmetric distribution. Unit can be field changed from symmetric to asymmetric. 4mm thick prismatic tempered glass lens provides optimized light distribution for a visually comfortable and glare free environment.
- The **BOXLED® MINI** is a wet location, IP66, NEMA 4X rated luminaire. Heavy duty die-cast aluminum construction provides corrosion, flame and chemical resistance. The 3G rating makes this ideal for constant vibration applications.
- **PERFORMANCE:** HO: 4051 to 4387 lm
- **OPERATING TEMP:**
HT (AC Only) -22°F to 104°F (-30°C to 40°C)
- **WEIGHT:** 2.6 lbs / 1.17 kg



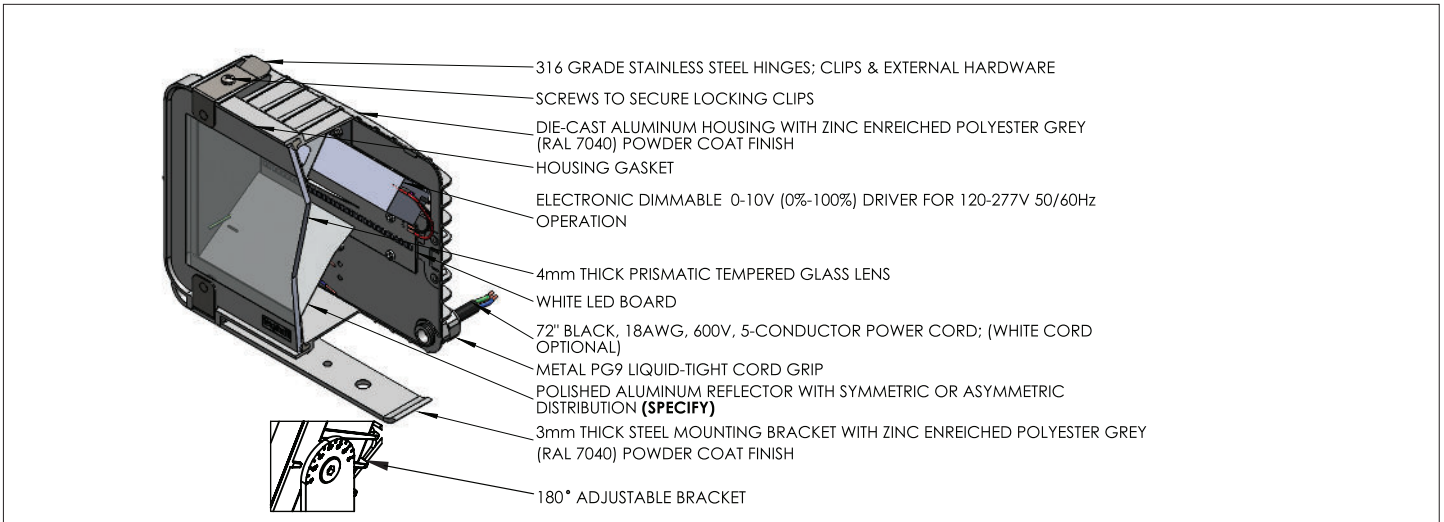
APPLICATION: The **BOXLED® MINI** is ideal for damp or wet installations including loading docks, signage, car wash, agriculture, service corridors, landscape and marinas.

ORDERING INFORMATION

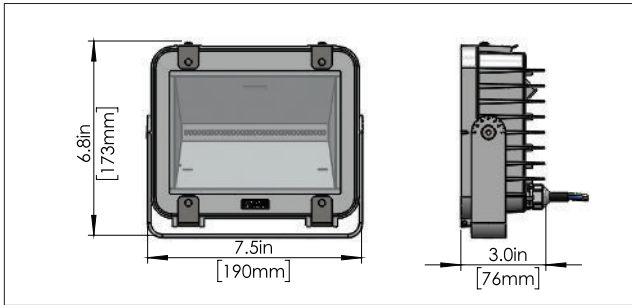
MODEL	OPERATION	OUTPUT	DISTRIBUTION	COLOR TEMP	INPUT
BL716LED	HT	HO	SYM ¹ (symmetric)	WT30 (3000K)	120-277V
			ASY ¹ (asymmetric)	WT40 (4000K)	
				WT50 (5000K)	

NOTE 1: Both symmetric & asymmetric reflectors included for in-field distribution changes.
NOTE 2: Surface mount is standard.

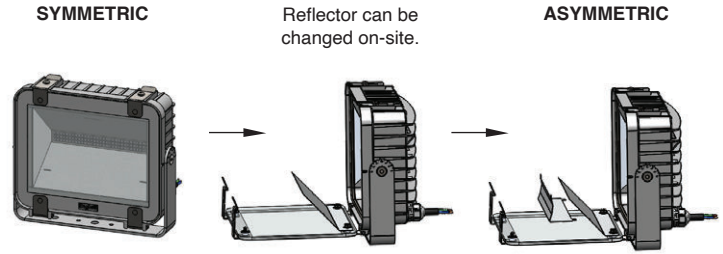
TECHNICAL INFORMATION



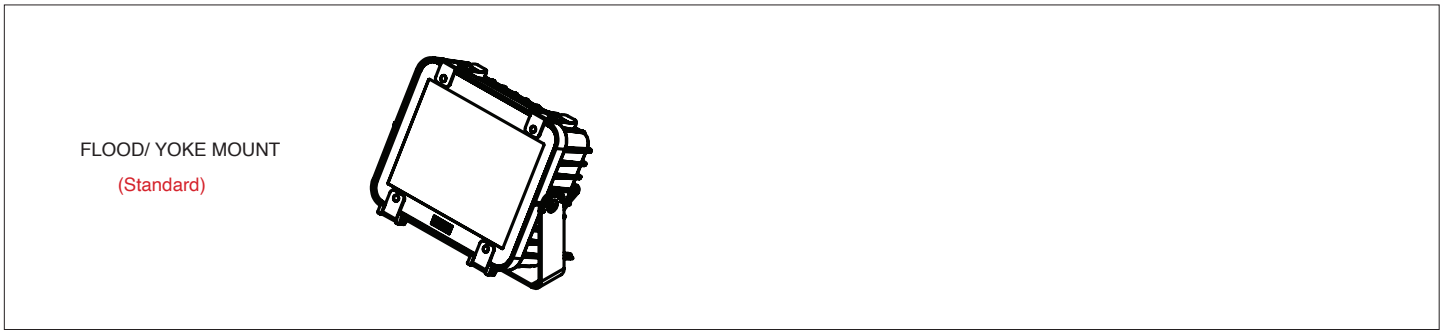
DIMENSIONS



DISTRIBUTION



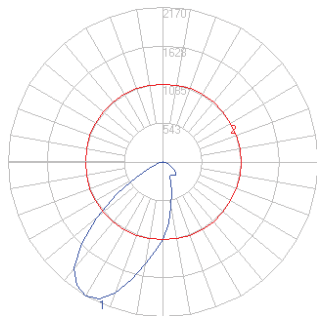
MOUNTING OPTIONS



PHOTOMETRICS

BL716LEDHTHOASYWT40120-277V/347V/480V

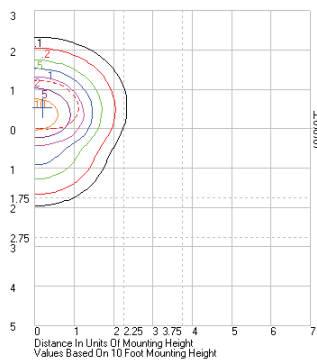
POLAR CURVES



Characteristics

Electronic driver	
LED 4000°K	
Lumens Per Lamp	N.A. (absolute)
Total Lamp Lumens	N.A. (absolute)
Luminaire Lumens	2971
Total Luminaire Efficiency	N.A.
Luminaire Efficacy Rating (LER)	99
Total Luminaire Watts	30
Ballast Factor	1.00
CIE Type	Direct
Basic Luminous Shape	Rectangular
Luminous Length (0-180)	0.53 ft
Luminous Width (90-270)	0.61 ft
Luminous Height	0.24 ft

ISOLINES



Zonal Lumen Summary

Zone	Lumens	%Lamp	%Fixt
0-20	408.85	N.A.	13.80
0-30	928.07	N.A.	31.20
0-40	1608.2	N.A.	54.10
0-60	2727.79	N.A.	91.80
0-80	2963.13	N.A.	99.70
0-90	2971.05	N.A.	100.00
10-90	2869.42	N.A.	96.60
20-40	1199.36	N.A.	40.40
20-50	1874.04	N.A.	63.10
40-70	1302.53	N.A.	43.80
60-90	235.34	N.A.	7.90
70-80	52.40	N.A.	1.80
80-90	7.92	N.A.	0.30
90-110	0.01	N.A.	0.00
90-120	0.01	N.A.	0.00
90-130	0.01	N.A.	0.00
90-150	0.01	N.A.	0.00
90-180	0.01	N.A.	0.00
110-180	0.00	N.A.	0.00
0-180	2971.06	N.A.	100.00

BOXLED® MINI

ELECTRICAL RATING

PRODUCT	NOMINAL POWER (W)	AC CURRENT (A)		FREQUENCY (HZ)	DC VOLTAGE (V)	DC CURRENT (MA)
		120V	277V			
BL716LED-HT-HO	40	0.34	0.34	50/60	33	1000

DIMMER COMPATIBILITY

DIMMER	COMPATABILITY	
	ON / OFF	DIMMING
LEVITON - AWRMG - 7	YES	YES
LUTRON - DIVE - DVSTV	YES	YES
LUTRON - DIVE - DVTV	YES	YES
WATT STOPPER DCLV1	YES	YES

ENERGY CHART

MODEL	EFFICACY	CONSUMPTION WATTAGE	LUMEN OUTPUT	CRI	L70 (hrs.)
BL716LED-HT-HO-WT30-120-277V	101 LPW	40	4051	>80	>60,000
BL716LED-HT-HO-WT40-120-277V	105 LPW	40	4051	>80	>60,000
BL716LED-HT-HO-WT50-120-277V	110 LPW	40	4387	>80	>60,000

- **WARRANTY:** 5 year warranty, see website for full warranty details.