

BX910LED ECO

- **BX910LED ECO** is DesignLights Consortium[®] qualified for Direct Linear Ambient Luminaires, and is the evolution of a luminaire with upgradeable technology
- 3mm Impact resistant frosted flat polycarbonate diffuser reduces glare and fixture design eliminates uplight
- Specially designed terminal compartment and polycarbonate end cap allows easy access to wiring for convenient and tool-free installation, as well as effortless LED driver replacement
- **HOUSING:** The housing uses 24 gauge rolled steel in standard gray finish
- **LUMENS:** LO: 4054 up to 4295 lm
HO: 6752 up to 7155 lm
- **OPERATING TEMP:**
HT (AC Only) -40°C to 40°C (-40°F to 104°F)
SA (AC & Emergency) 0°C to 35°C (32°F to 95°F)
- **WEIGHT:** 9 lbs
- **WARRANTY:** 5 year warranty, see website for full warranty details



APPLICATION: The **BX910LED ECO** is a versatile luminaire ideal for a wide range of applications including: warehouses, parking decks, breezeways, canopies, service corridors, loading docks, farms, car washes and a great option where light pollution is a concern

ORDERING INFORMATION

Example: BX910LED ECO 4HT HO WT50 120-277

MODEL	LENGTH	OPERATION	OUTPUT	COLOR TEMP	INPUT	LENS	MOUNTING	OPTIONS
BX910LED ECO	4 (ft)	HT (AC only) SA ¹ (AC & EM)	LO HO	WT30 ² (3000K) WT40 (4000K) WT50 (5000K)	120V-277V 347V	PC (polycarbonate) GL ³ (glass)	blank (surface mount std) CRM ⁴ (continuous row mount) RM ⁴ (row mount)	BAA (made in America) EM ⁵ (field install remote EM driver) FP (fuse protection - 3A) NOD (integrated node) OS ⁶ (external occupancy sensor) SP (surge protection - 10KA)

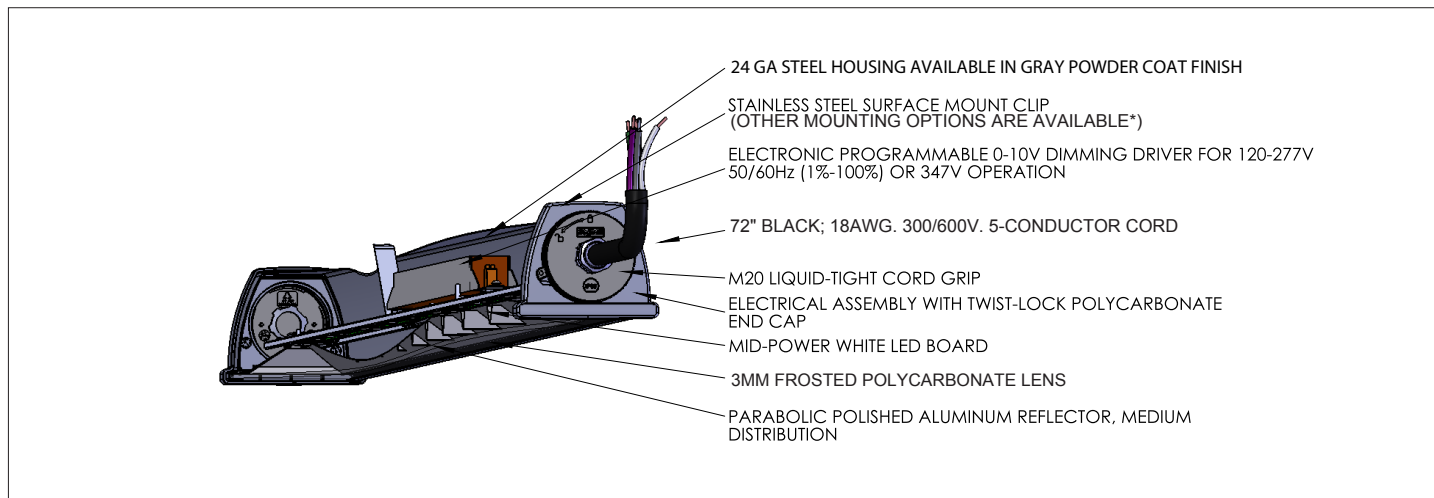
CONTROLS & ACCESSORIES

2ACx ⁷ (adjustable aircraft cable, x=length: 50=50", 72=72")	HHRFSIR ⁸ (handheld remote for FSP221)	SW1 (single BT rocker wall switch)
2CH48 ⁷ (48" chain hang kit, field cuttable)	MLM1 (wireless motion and lux sensor)	TM22BX ⁷ (22" trunnion mount)
EMDCB (BT wireless motion & lux sensor)	PMBXE (aimable pivot mount)	
	RLY (wireless relay)	

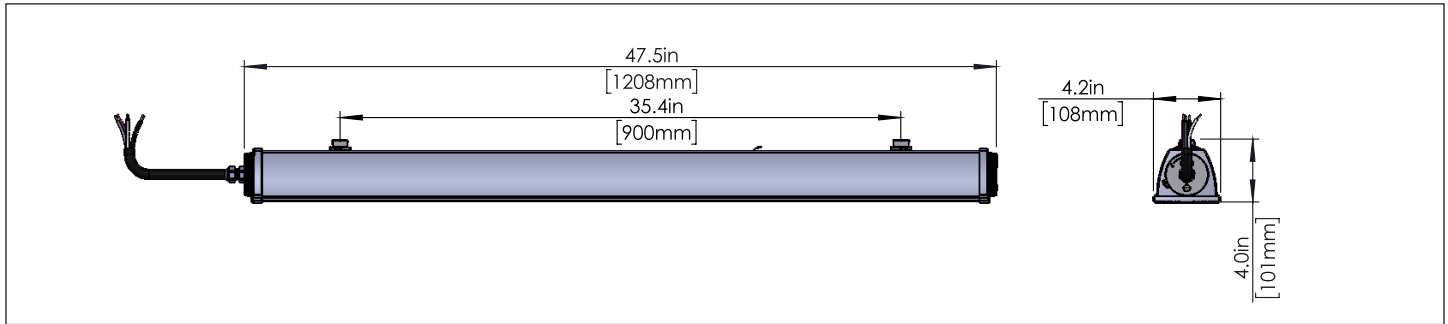
NOTE 1: Emergency pack; 120-277V; 10W, 1217 lumens
NOTE 2: Contact factory for lead time
NOTE 3: Limited availability, consult factory
NOTE 4: Maximum run distance 100 ft, only for chain and aircraft cable

NOTE 5: Field Installable Emergency Pack 120-277V, 10W, 1305 lumens
NOTE 6: OS is std Beggelli sensor, OSM1 and other sensors are also available
NOTE 7: Consult factory for non-standard lengths
NOTE 8: HHRFSIR remote controls/ adjusts OSFSP221 sensor

TECHNICAL INFORMATION



DIMENSIONS



MOUNTING OPTIONS

<p>SURFACE MOUNTING (Standard) (hardware by others)</p>	<p>Aviation Cable Kit (2AC50, 2AC72)</p>	<p>Chain Hang kit (2CH48)</p>	<p>Row Mount Option (RM) Max. run distance 100ft varies (Only for chain & aircraft cable) Continuous Row Mount Option (CRM) 2.0' Connected</p>	<p>Pivot Mount (hardware by others) (PMBXE)</p>	<p>Trunnion Mount TM22BX</p>
--	--	-----------------------------------	--	---	----------------------------------

PHOTOMETRICS

<p>BX910LED ECO 4HT LO WT40 120-277V POLAR CURVES</p>	<p>Characteristics Electronic driver LED 4000°K Lumen Per Lamp 4881.6 Total Lamp Lumen 33.9 (144 lamps) Luminaire Lumen 4295 Total Luminaire Efficiency 88 % Luminaire Efficacy Rating (LER) 143 Total Luminaire Watts 30 Ballast Factor 1.00 CIE Type Direct</p>	<p>BX910LED ECO 4HT HO WT40 120-277V POLAR CURVES</p>	<p>Characteristics Electronic driver LED 4000°K Lumen Per Lamp 8136 Total Lamp Lumen 56.5 (144 lamps) Luminaire Lumen 7155 Total Luminaire Efficiency 88 % Luminaire Efficacy Rating (LER) 143 Total Luminaire Watts 50 Ballast Factor 1.00 CIE Type Direct</p>																																																																																																																																																																								
<p>ISOLINES</p>	<p>Zonal Lumen Summary</p> <table border="1"> <thead> <tr> <th>Zone</th> <th>Lumens</th> <th>%Lamp</th> <th>%Fixt</th> </tr> </thead> <tbody> <tr><td>0-20</td><td>553.15</td><td>12.60</td><td>15.10</td></tr> <tr><td>0-30</td><td>1183.17</td><td>26.90</td><td>32.40</td></tr> <tr><td>0-40</td><td>1928.24</td><td>43.90</td><td>52.80</td></tr> <tr><td>0-60</td><td>3270.02</td><td>74.40</td><td>89.50</td></tr> <tr><td>0-80</td><td>3642.69</td><td>82.90</td><td>99.70</td></tr> <tr><td>0-90</td><td>3653.96</td><td>83.10</td><td>100.00</td></tr> <tr><td>10-90</td><td>3513.56</td><td>79.90</td><td>96.20</td></tr> <tr><td>20-40</td><td>1375.1</td><td>31.30</td><td>37.60</td></tr> <tr><td>20-50</td><td>2133.75</td><td>48.50</td><td>58.40</td></tr> <tr><td>40-70</td><td>1625.02</td><td>37.00</td><td>44.50</td></tr> <tr><td>60-80</td><td>372.66</td><td>8.50</td><td>10.20</td></tr> <tr><td>70-80</td><td>89.42</td><td>2.00</td><td>2.40</td></tr> <tr><td>80-90</td><td>11.27</td><td>0.30</td><td>0.30</td></tr> <tr><td>90-110</td><td>0.00</td><td>0.00</td><td>0.00</td></tr> <tr><td>90-120</td><td>0.00</td><td>0.00</td><td>0.00</td></tr> <tr><td>90-130</td><td>0.00</td><td>0.00</td><td>0.00</td></tr> <tr><td>90-150</td><td>0.00</td><td>0.00</td><td>0.00</td></tr> <tr><td>90-180</td><td>0.00</td><td>0.00</td><td>0.00</td></tr> <tr><td>110-180</td><td>0.00</td><td>0.00</td><td>0.00</td></tr> <tr><td>0-180</td><td>3653.96</td><td>83.10</td><td>100.00</td></tr> </tbody> </table> <p>Total Luminaire Efficiency = 83.10%</p>	Zone	Lumens	%Lamp	%Fixt	0-20	553.15	12.60	15.10	0-30	1183.17	26.90	32.40	0-40	1928.24	43.90	52.80	0-60	3270.02	74.40	89.50	0-80	3642.69	82.90	99.70	0-90	3653.96	83.10	100.00	10-90	3513.56	79.90	96.20	20-40	1375.1	31.30	37.60	20-50	2133.75	48.50	58.40	40-70	1625.02	37.00	44.50	60-80	372.66	8.50	10.20	70-80	89.42	2.00	2.40	80-90	11.27	0.30	0.30	90-110	0.00	0.00	0.00	90-120	0.00	0.00	0.00	90-130	0.00	0.00	0.00	90-150	0.00	0.00	0.00	90-180	0.00	0.00	0.00	110-180	0.00	0.00	0.00	0-180	3653.96	83.10	100.00	<p>ISOLINES</p>	<p>Zonal Lumen Summary</p> <table border="1"> <thead> <tr> <th>Zone</th> <th>Lumens</th> <th>%Lamp</th> <th>%Fixt</th> </tr> </thead> <tbody> <tr><td>0-20</td><td>1082.48</td><td>13.30</td><td>15.10</td></tr> <tr><td>0-30</td><td>2315.86</td><td>28.50</td><td>32.40</td></tr> <tr><td>0-40</td><td>3794.14</td><td>46.60</td><td>53.00</td></tr> <tr><td>0-60</td><td>6410.72</td><td>78.90</td><td>89.60</td></tr> <tr><td>0-80</td><td>7133.8</td><td>87.70</td><td>99.70</td></tr> <tr><td>0-90</td><td>7155.33</td><td>87.90</td><td>100.00</td></tr> <tr><td>10-90</td><td>6880.42</td><td>84.60</td><td>96.20</td></tr> <tr><td>20-40</td><td>2711.65</td><td>33.30</td><td>37.90</td></tr> <tr><td>20-50</td><td>4203.74</td><td>51.70</td><td>58.70</td></tr> <tr><td>40-70</td><td>3165.52</td><td>38.90</td><td>44.20</td></tr> <tr><td>60-80</td><td>723.07</td><td>8.90</td><td>10.10</td></tr> <tr><td>70-80</td><td>174.14</td><td>2.10</td><td>2.40</td></tr> <tr><td>80-90</td><td>21.53</td><td>0.30</td><td>0.30</td></tr> <tr><td>90-110</td><td>0.03</td><td>0.00</td><td>0.00</td></tr> <tr><td>90-120</td><td>0.03</td><td>0.00</td><td>0.00</td></tr> <tr><td>90-130</td><td>0.03</td><td>0.00</td><td>0.00</td></tr> <tr><td>90-150</td><td>0.03</td><td>0.00</td><td>0.00</td></tr> <tr><td>90-180</td><td>0.03</td><td>0.00</td><td>0.00</td></tr> <tr><td>110-180</td><td>0.00</td><td>0.00</td><td>0.00</td></tr> <tr><td>0-180</td><td>7155.36</td><td>87.90</td><td>100.00</td></tr> </tbody> </table> <p>Total Luminaire Efficiency = 87.90%</p>	Zone	Lumens	%Lamp	%Fixt	0-20	1082.48	13.30	15.10	0-30	2315.86	28.50	32.40	0-40	3794.14	46.60	53.00	0-60	6410.72	78.90	89.60	0-80	7133.8	87.70	99.70	0-90	7155.33	87.90	100.00	10-90	6880.42	84.60	96.20	20-40	2711.65	33.30	37.90	20-50	4203.74	51.70	58.70	40-70	3165.52	38.90	44.20	60-80	723.07	8.90	10.10	70-80	174.14	2.10	2.40	80-90	21.53	0.30	0.30	90-110	0.03	0.00	0.00	90-120	0.03	0.00	0.00	90-130	0.03	0.00	0.00	90-150	0.03	0.00	0.00	90-180	0.03	0.00	0.00	110-180	0.00	0.00	0.00	0-180	7155.36	87.90	100.00
Zone	Lumens	%Lamp	%Fixt																																																																																																																																																																								
0-20	553.15	12.60	15.10																																																																																																																																																																								
0-30	1183.17	26.90	32.40																																																																																																																																																																								
0-40	1928.24	43.90	52.80																																																																																																																																																																								
0-60	3270.02	74.40	89.50																																																																																																																																																																								
0-80	3642.69	82.90	99.70																																																																																																																																																																								
0-90	3653.96	83.10	100.00																																																																																																																																																																								
10-90	3513.56	79.90	96.20																																																																																																																																																																								
20-40	1375.1	31.30	37.60																																																																																																																																																																								
20-50	2133.75	48.50	58.40																																																																																																																																																																								
40-70	1625.02	37.00	44.50																																																																																																																																																																								
60-80	372.66	8.50	10.20																																																																																																																																																																								
70-80	89.42	2.00	2.40																																																																																																																																																																								
80-90	11.27	0.30	0.30																																																																																																																																																																								
90-110	0.00	0.00	0.00																																																																																																																																																																								
90-120	0.00	0.00	0.00																																																																																																																																																																								
90-130	0.00	0.00	0.00																																																																																																																																																																								
90-150	0.00	0.00	0.00																																																																																																																																																																								
90-180	0.00	0.00	0.00																																																																																																																																																																								
110-180	0.00	0.00	0.00																																																																																																																																																																								
0-180	3653.96	83.10	100.00																																																																																																																																																																								
Zone	Lumens	%Lamp	%Fixt																																																																																																																																																																								
0-20	1082.48	13.30	15.10																																																																																																																																																																								
0-30	2315.86	28.50	32.40																																																																																																																																																																								
0-40	3794.14	46.60	53.00																																																																																																																																																																								
0-60	6410.72	78.90	89.60																																																																																																																																																																								
0-80	7133.8	87.70	99.70																																																																																																																																																																								
0-90	7155.33	87.90	100.00																																																																																																																																																																								
10-90	6880.42	84.60	96.20																																																																																																																																																																								
20-40	2711.65	33.30	37.90																																																																																																																																																																								
20-50	4203.74	51.70	58.70																																																																																																																																																																								
40-70	3165.52	38.90	44.20																																																																																																																																																																								
60-80	723.07	8.90	10.10																																																																																																																																																																								
70-80	174.14	2.10	2.40																																																																																																																																																																								
80-90	21.53	0.30	0.30																																																																																																																																																																								
90-110	0.03	0.00	0.00																																																																																																																																																																								
90-120	0.03	0.00	0.00																																																																																																																																																																								
90-130	0.03	0.00	0.00																																																																																																																																																																								
90-150	0.03	0.00	0.00																																																																																																																																																																								
90-180	0.03	0.00	0.00																																																																																																																																																																								
110-180	0.00	0.00	0.00																																																																																																																																																																								
0-180	7155.36	87.90	100.00																																																																																																																																																																								

ACCIAIO BX910LED ECO

ADDITIONAL INFORMATION

ENERGY CHART

MODEL	EFFICACY (Lumens/Watts)	CONSUMPTION WATTAGE (W)	LUMEN OUTPUT (LM)	CRI	L70 (hrs.)	L80 (hrs.)
BX910LED ECO 4HT LO WT30 120-277V	135	30	4054	>80	>60,000	>50,000
BX910LED ECO 4HT LO WT40 120-277V	143	30	4295	>80	>60,000	>50,000
BX910LED ECO 4HT LO WT50 120-277V	143	30	4295	>80	>60,000	>50,000
BX910LED ECO 4HT HO-WT30-120-277V	135	50	6752	>80	>60,000	>50,000
BX910LED-ECO-4HT-HO-WT40-120-277V	143	50	7155	>80	>60,000	>50,000
BX910LED-ECO-4HT-HO-WT50-120-277V	143	50	7155	>80	>60,000	>50,000

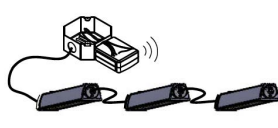


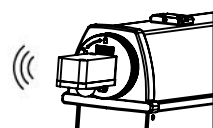

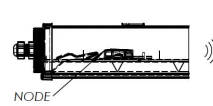

ELECTRICAL RATING

PRODUCT	NOMINAL POWER (W)	AC CURRENT (A) AC VOLTAGE			FREQUENCY (HZ)	DC VOLTAGE (V)	DC CURRENT (MA)
		120V	277V	347V			
4FT							
BX910LEDECO4HTLO	30	0.26	0.11	0.09	50/60	33	800
BX910LEDECO4HTHO	50	0.43	0.18	0.15	50/60	33	1300

DIMMER COMPATIBILITY

DIMMER	COMPATABILITY	
	ON/OFF	DIMMING
LEVITON - AWRMG-7	YES	YES
LUTRON - DIVE - DVSTV	YES	YES
LUTRON - DIVE - DVTV	YES	YES
WATT STOPPER - DCLV1	YES	YES

BEGHELLI LIGHTING CONTROL SOLUTIONS

DAISY CHAIN FIXTURES (RELAY)			EXTERNAL NODE & SENSOR (OS)		
<p>RLY* Wireless Relay (Damp Location)</p>  <p>Max range: 100 ft Max fixtures:21</p>	<p>EMDCB* Remote Sensor (Damp Location)</p> 	<p>SW1* Single Switch (Damp Location)</p> 	<p>OS (Beghelli Standard) (Wet Location)</p>  <p>(EXTERNAL KNOCKOUT)</p>	<p>SW1* Single Switch (Damp Location)</p>  <p>External occ sensor options: OSM1* sensor, MLM1 sensor, etc.)</p>	
INTEGRATED NODE (NOD)					
<p>*Magnum control options are also available (NODM1 node, OSM1 sensor, MLM1, RLYM1 relay, SW1M1 switch)</p> <p>**Beghelli offers standard wired and wireless control solutions. Beghelli fixtures are compatible with most control solutions available in the market, consult factory for more details.</p>			<p>NOD* Node</p>  <p>NODE</p>	<p>EMDCB* Remote Sensor (Damp Location)</p> 	<p>SW1* Single Switch (Damp Location)</p> 