

INSTALLATION INSTRUCTIONS

IMPORTANT SAFEGUARDS

Read & Follow All Safety Instructions

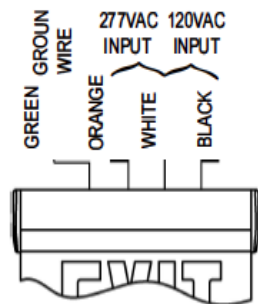
When using electrical equipment, basic safety precautions should always be followed including:

1. Before starting the installation, disconnect the power by turning off the circuit breaker or by removing the appropriate fuse at the fuse box. Using the light switch to turn off the power is not sufficient to prevent electrical shock.
2. Do not use outdoors
3. Do not mount near gas or electric heaters
4. Use caution when servicing batteries. Battery acid can cause burns to skin and eyes. If acid is spilled on skin or eyes, flush acid with fresh water and contact a physician immediately.
5. Equipment should be mounted in locations and at heights where it will not be subjected to tampering by unauthorized personnel
6. The use of accessory equipment not recommended by Beghelli Inc may cause an unsafe condition and will void the unit's warranty
7. Do not use this equipment for other than its intended purpose
8. Servicing of this equipment should be performed by a qualified service personnel and in accordance with local electrical codes
9. Allow battery to charge for 24 hours before first use

SAVE THESE INSTRUCTIONS

ELECTRICAL CONNECTIONS

- Make the proper connections with the supply wire
- If using 120VAC, connect the black and white wires to the building utility
- If using 277VAC, connect the orange and white wires to the building utility
- Cap off unused wires - In all cases, use standard wire nuts to connect to wires



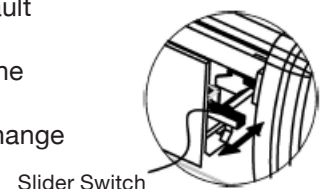
DETERMINE CHEVRONS

- If indicator is needed, keep indicator and remove instruction film
- If indicator is not needed, remove both indicator and instruction film



UNIVERSAL LED COLOR

- The product's default setting is red
- Slide the knob of the slider switch to the opposite side to change the color to green

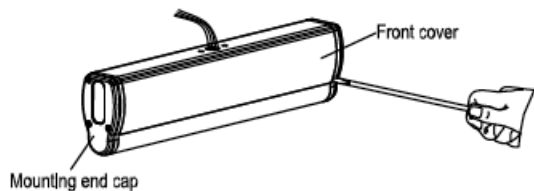


Mounting Instructions

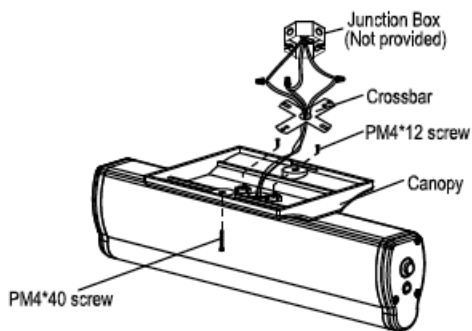
Note: First turn off electricity

Surface Ceiling & Wall Mounting

1. Attach crossbar to junction box (TM8# 32*-1)
2. Use screwdriver to open front cover to complete battery connection
3. Red exit sign can change to green, if needed (See Universal LED Color on pg 1)



4. Feed AC supply wires through the center hole on the canopy
5. Assemble canopy onto main body assembly with (2) PM4*12 screws (supplied) and make proper wire connections (SEE ELECTRICAL CONNECTIONS)
6. Use (2) PM4-40 screws (supplied) to tighten canopy to crossbar

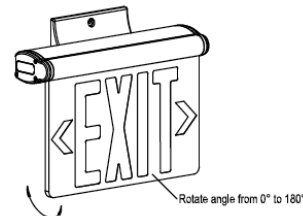


7. Gently insert EXIT panel into main body assembly. If EXIT panel is for single face, make sure EXIT letter direction is correct.



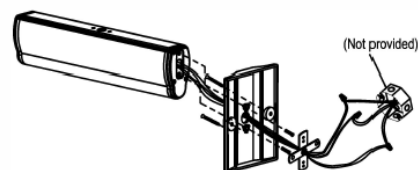
8. Determine chevron directions and remove unneeded chevrons

9. This unit can be installed on any surface, including sloped ceilings, as you may rotate the EXIT panel angle from 0° to 180°.



Surface End Mounting

1. Attach crossbar to junction box
2. Use screwdriver to open front cover to connect battery connector
3. Red exit sign can change to green exit sign, if needed (SEE UNIVERSAL LED COLOR)
4. Remove the hole plug from mounting end cap
5. Pull out all AC supply wires and feed wires through the center holes of mounting end cap and then through the canopy
6. Reference steps 5-9 in Surface Ceiling & Wall Mounting on this page for surface end mounting



MAINTENANCE

Battery will have to recharge if product is kept in stock for over 9 months. The equipment should be tested regularly in accordance with local codes. Replace batteries, as needed, if discharge times do not achieve 90 minutes.

OPERATION

Press the test button, unit will be illuminated by battery backup and the LED indicator will be turned off -- Release the test switch and LED indicator will be turned on.

TROUBLE SHOOTING GUIDE

If LED heads or LED indicator does not illuminate, check the following:

1. AC supply - verify that unit has 24 hour AC supply
2. Battery connection
3. Discharge battery and charge for 24 hours and then retest
4. If above troubleshooting hints do not solve the problem, contact factory for assistance

Recessed Mounting

First make sure power is turned off!

1. Open endcap with test switch and LED indicator cables, and pull cables through holes to outside
2. Position metal housing and bar hangers between joists. Make sure bar hangers are oriented in the correct position. Position metal housing temporarily by hammering “nail-in” tabs on bar hangers, then secure permanently with nails. Bar hangers should be level with bottom of joists
3. Adjust height of metal housing vertically using adjusting slots and tightening all screws on adjusting slots and bar hanger bracket to secure adjusting bracket and bar hanger
4. Make proper electrical connections of J-Box in the metal box. Note: You may use holding wire during wiring. (See Fig. 4)
5. Take off the test switch (with male connector) and LED indicator (with female connector) from the endcap and install to the trim plate. (for emergency battery backup unit only. See Fig. 3)
6. Determine direction for chevron placement. Peel adhesive chevron(s) from backing liner and place into the market position on the template. Firmly press chevron corners and edges, then peel template off and leave chevron in place
7. Secure trim plate by using provided screws

NOTE: For recessed wall mounting, you may follow all procedures as recessed ceiling mounting then rotate the exit panel 90° after securing trim plate.

SAVE THESE INSTRUCTIONS!

