

BS100 STEALTH



Made for dark ceiling locations

OUR 4-FOOT BS100LED VAPOR TIGHT IS CONFIGURED WITH
BLACK HOUSING AND STAINLESS STEEL CLIPS



BS100 STEALTH



Elevate your commercial industrial or outdoor lighting with the **BS100LED Stealth** -- a 4-foot, high-performance, linear LED vapor tight solution with black housing.

Designed to excel in demanding environments, the **BS100LED Stealth** offers unprecedented durability, energy efficiency and versatility to illuminate a wide range of indoor & outdoor dark ceiling applications.

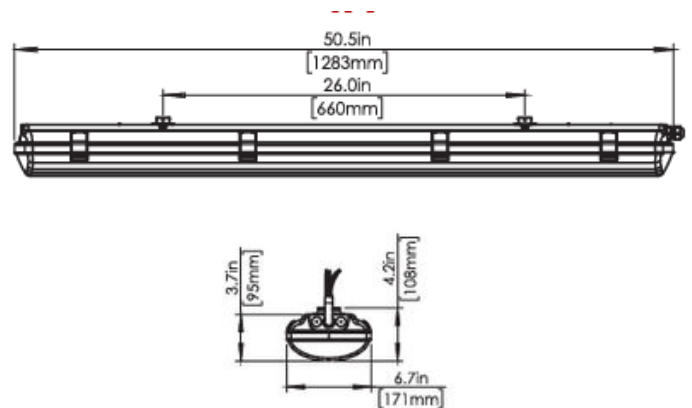
KEY FEATURES

- 100% UV stabilized polycarbonate black housing with stainless steel clips
- Up to 12K lm (3000/3500/4000/5000K)
- Excellent uniformity with NO glare
- Multiple mounting options
- IP66 Quick Mount Bracket option
- Integral battery backup and control options

APPLICATIONS

- Retail
- Parking Garages
- Industrial
- Carports
- Warehouses
- Breezeways
- Canopies
- Schools

DIMENSIONS



TECHNICAL INFORMATION

