

INSTALLATION INSTRUCTION

IMPORTANT SAFEGUARDS

Read & Follow All Safety Instructions

When using electrical equipment, basic safety precautions should always be followed including:

1. Disconnect power before performing work on electrical equipment (using the light switch to turn off the power is not sufficient to prevent electrical shock)
2. Do not mount near gas or electric heaters
3. Do not install in unstable, loose or breakable surfaces and Do not let objects impact or exert force on the surface of the fixture
4. Use caution when servicing batteries (Battery acid can cause burns to skin and eyes; If acid is spilled on skin or eyes, flush with water and contact a physician immediately)
5. Equipment should be mounted in locations and at heights where it will not be subjected to tampering by unauthorized personnel
6. The use of accessory equipment not recommended by Beghelli Inc may cause an unsafe condition and will void the unit's warranty
7. Do not use this equipment for other than its intended purpose
8. Installation and servicing of this equipment should be performed by a qualified electrician familiar with the product and the hazards involved
9. Allow battery to charge for 24 hours before first use (EM VERSION)
10. To prevent wiring damage or abrasion, do not expose wiring to edges of sheet metal or other sharp objects



WARNING

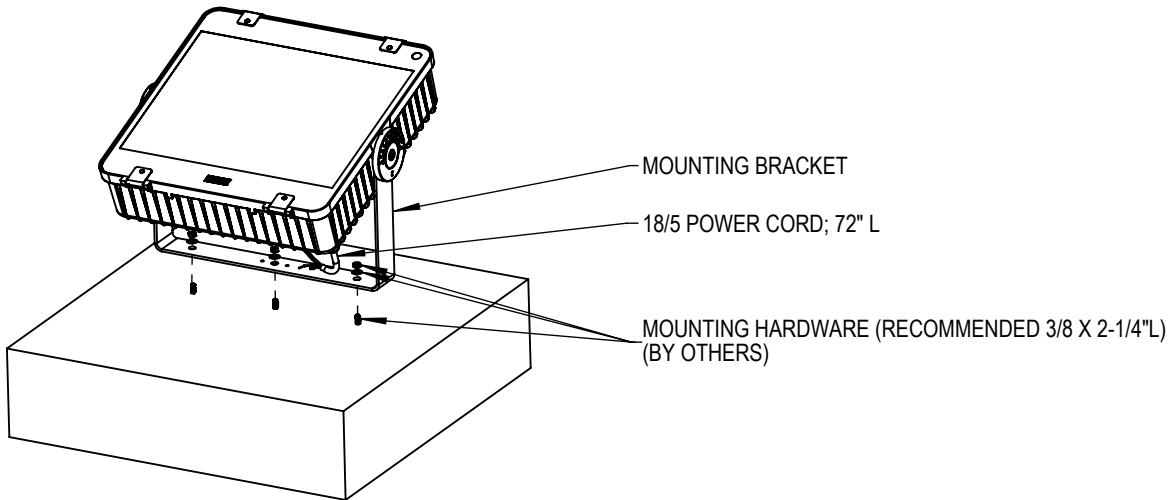
1. Verify correct supply voltage by comparing it with the luminaire label information
2. All wiring connections should be capped with UL approved wire connectors
3. Use minimum 90°C Supply Wires



CAUTION

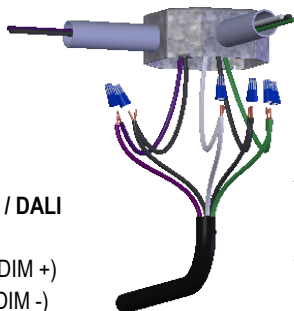
1. Avoid direct eye exposure to the light source while it is on
2. Beware- small parts and packing material may be hazardous to children
3. Risk of burn; Disconnect power and allow fixture to cool before handling fixture

SAVE THESE INSTRUCTIONS



- 0-10V DIMMING WIRES MUST BE RUN FROM A DIFFERENT CONDUIT OUT OF THE J-BOX

HT VERSION



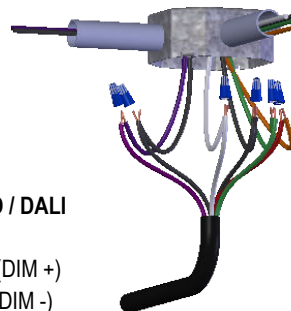
0-10V LEAD / DALI

- VIOLET.....(DIM +)
- GRAY.....(DIM -)

AC LEADS

- BLACK..... (HOT)
- WHITE.....(NEUTRAL)
- GREEN..... (GROUND)

EM VERSION



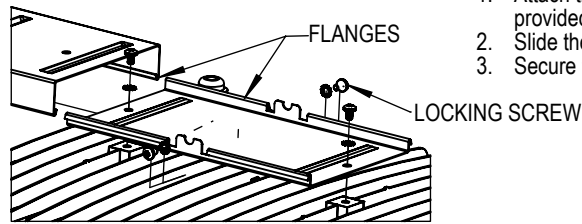
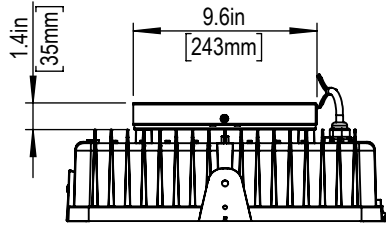
0-10V LEAD / DALI

- VIOLET.....(DIM +)
- GRAY.....(DIM -)

AC LEADS

- BLACK..... (SWITCHED)
- WHITE.....(NEUTRAL)
- GREEN..... (GROUND)
- RED/ORANGE (UNSWITCHED)

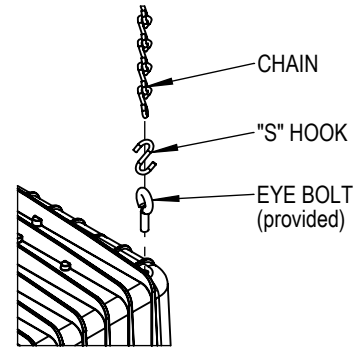
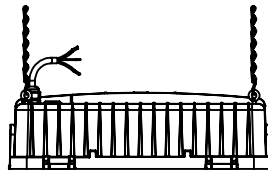
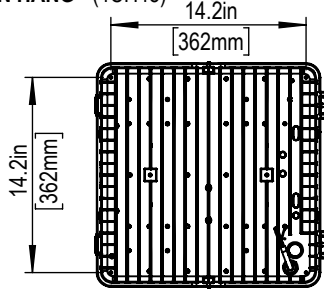
SURFACE MOUNT (BRACKET INCLUDED IN CARTON)



Bracket Installation Detail

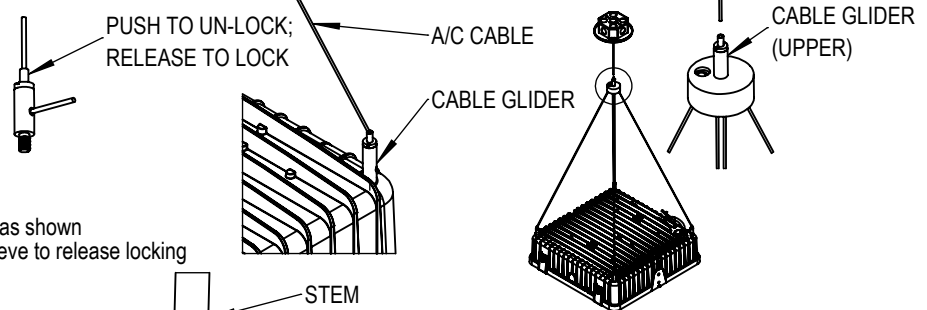
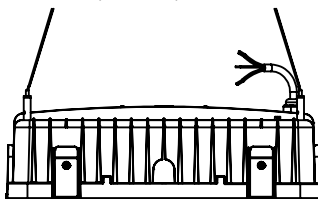
1. Attach the lower bracket to the housing using screws provided
2. Slide the bracket to engage the flanges until it stops
3. Secure the bracket with provided screws

CHAIN HANG - (4CH48)



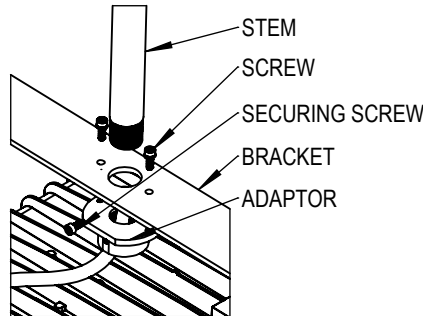
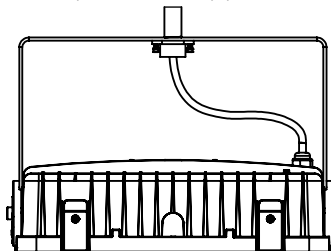
1. Screw the eye bolts (4) into the housing corners as shown
2. Hook the chain and the eye bolt together using provided "S" hook
3. Close all "S" hooks

AIRCRAFT CABLE - (1XAC50)



1. Screw the cable gliders into the housing corners as shown
2. Feed the (4) cables thru the gliders; push the sleeve to release locking
3. Adjust the (4) cables to level the fixture

PENDANT KIT - (1SPK12WADP) (1PK12WADP)

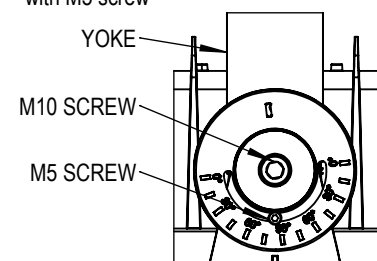
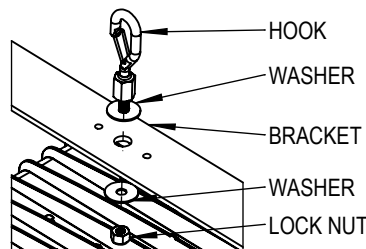
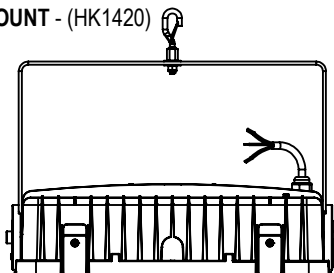


1. Attach stem adaptor to yoke with provided screws & washers as shown
2. Pass power cord thru the adaptor before attaching the stem to the yoke
3. Attach stem to adaptor assembly & secure it with screw as shown above
4. Attach the other end of stem to the ceiling canopy

LEVELING FOR STEM & HOOK MOUNTING :

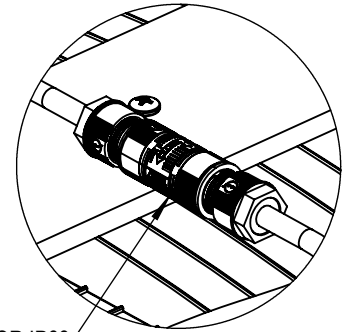
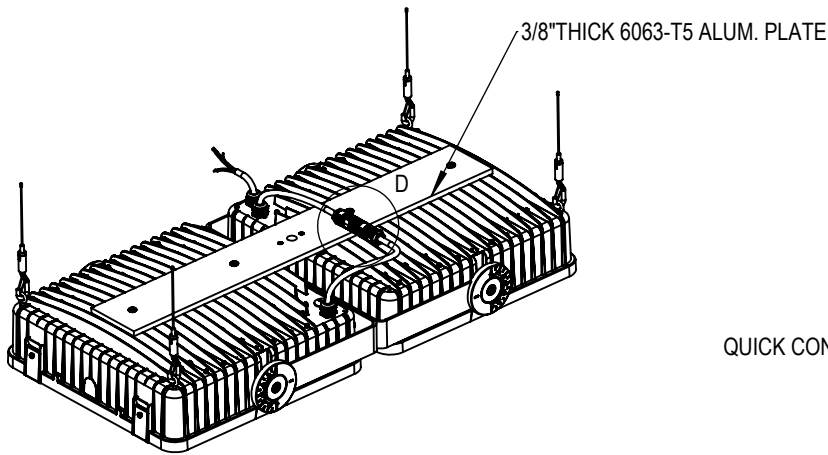
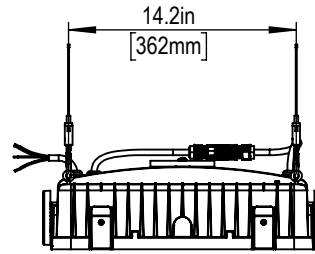
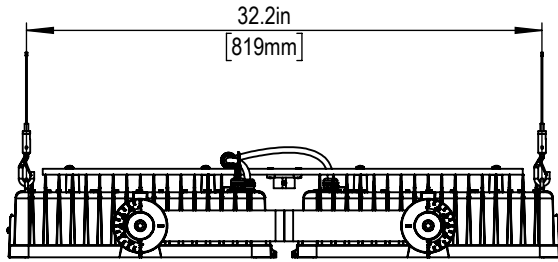
1. Loosen screw M10 and adjust the angle by pushing the yoke toward the power cord side of the fixture (approximately 7-8 degree)
2. Retighten the M10 screw and lock the position with M5 screw

HOOK MOUNT - (HK1420)



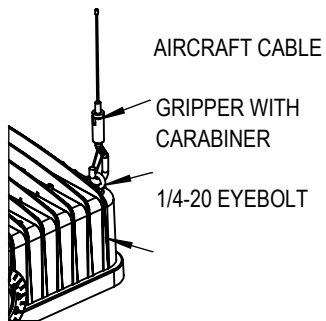
1. Attach hook to the yoke with provided washer & lock nut as shown

DOUBLE BRACKET - (DBA)

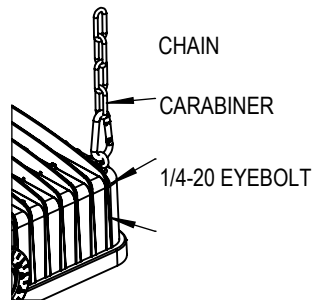


QUICK CONNECTOR IP68

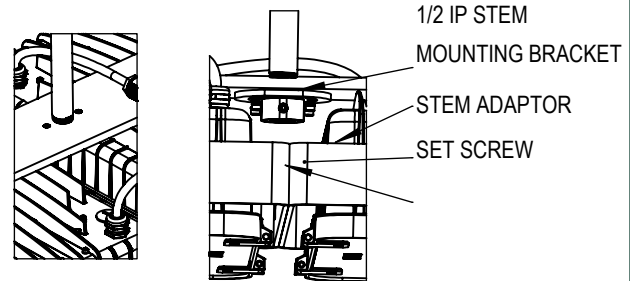
AC (AIRCRAFT CABLE)



4CH48 (CHAIN HANG)



PK (PENDANT KIT)



NOTE:
 FOR WET LOCATION, EMERGENCY DRIVER SHALL BE INSTALLED IN A NEMA BOX (BY OTHERS) (EMERGENCY DRIVER SIZE 19.19" X 2.63" X 1.48"); ALL OTHER FITTINGS, CONDUITS & J-BOXES SHALL BE LIQUID-TIGHT OR WET LOCATION TYPES (BY OTHERS)

