

LEDLUMINA

TITLE 20
TITLE 24



BS400LED - MID BAY/ GARAGE LIGHT

- The **LEDLUMINA** BS400LED is a modern, ultra low profile, glare-free, energy saving solution that is scalable to your project
- The **LEDLUMINA** BS400LED features a surface mount bracket with quick connect for ease of installation and stainless steel hardware
- **DIFFUSER:** Frosted UV stabilized polycarbonate diffuser provides even light distribution; Reflected light technology efficiently controls glare
- **HOUSING:** Die-cast, copper-free aluminum
- **LUMENS:**
 - LO (30W): 3571 up to 3779 lm (SA: 16W, 1881 lm)
 - MO (45W): 5358 up to 5671 lm (SA: 16W, 1881 lm)
 - HO (60W): 6980 up to 7282 lm (EM: 17W, 2190 lm)
- **OPERATING TEMPERATURES:**
 - HT: -40 to 40°C (-40 to 104°F)
 - SA (MO & LO): 0 to 25°C (32 to 77°F)
 - EM (HO): 0 to 50°C (32 to 122°F)
- **OPTIONS:**
 - Integral and remote emergency egress solutions
 - Beggelli lighting control options (see Beggelli Controls section)
 - Surge and fuse protection

WEIGHT: 14 lbs / 6.3 kg



APPLICATION: The **BS400LED** has been specifically designed to meet parking structure requirements. It's also ideal for other applications including retail stores, industrial installations, warehouses, breezeways, canopies, schools and much more. It can be installed both indoor and outdoor.

ORDERING INFORMATION

Example: BS400LED HT HO WT40 120-277V

MODEL	OPERATION	OUTPUT	COLOR TEMP	INPUT	OPTIONS	
BS400LED	HT (AC only)	LO	WT30 (3000K)	120-277V	EM-RMT ² (remote mount EM backup - 90 min runtime)	IS ^{4,5} (internal occ sensor)
	SA ¹ (AC & EM)	MO	WT40 (4000K)	347-480V	EM-CT ^{3,10} (integrated cold temperature EM pack)	NOD ⁵ (integrated node)
		HO	WT50 (5000K)		FP (inline fuse protection - 3A)	SP (surge protection - 10 kA)

CONTROLS & ACCESSORIES

1PKxWBS400 ^{6,7} (single pendant kit, white, x=length)	EMDCB ⁵ (BT wireless motion & lux sensor)	TM22BS400 ⁷ (22" height trunion mount)
1SPKxWBS400 ^{6,7} (swivel pendant kit, x=length)	HHRFSIR ⁸ (handheld remote for FSP221)	
1XACx ^{6,7} (adjustable aviation cable, x=length)	MLM1 ⁵ (wireless motion and lux sensor)	
4CH48 ^{6,7} (48" chain hang kit, 4 pieces)	RLY ⁵ (wireless relay)	
	SW1 ⁵ (single rocker wall switch)	

NOTE 1: SA for LO & MO only (120-277V); 16W; 1881lm. CEC Title 20; Comes with test switch and LED indicator

NOTE 2: HT Only, all models

NOTE 3: HT Only, LO & MO Models

NOTE 4: IS is std Beggelli sensor, FSP 221, Magnum ISM1 and other sensors are available

NOTE 5: Beggelli offers wireless and powerless control solutions, contact factory for more details

NOTE 6: Pendant kit includes bracket on back of fixture, stem and ceiling canopy; standard stem length represented by "x" = 12 (12"), 24 (24") and 48 (48")

NOTE 7: Consult factory for non-standard lengths

NOTE 8: FSP221 utilizes HHRFSIR handheld remote accessory for programming

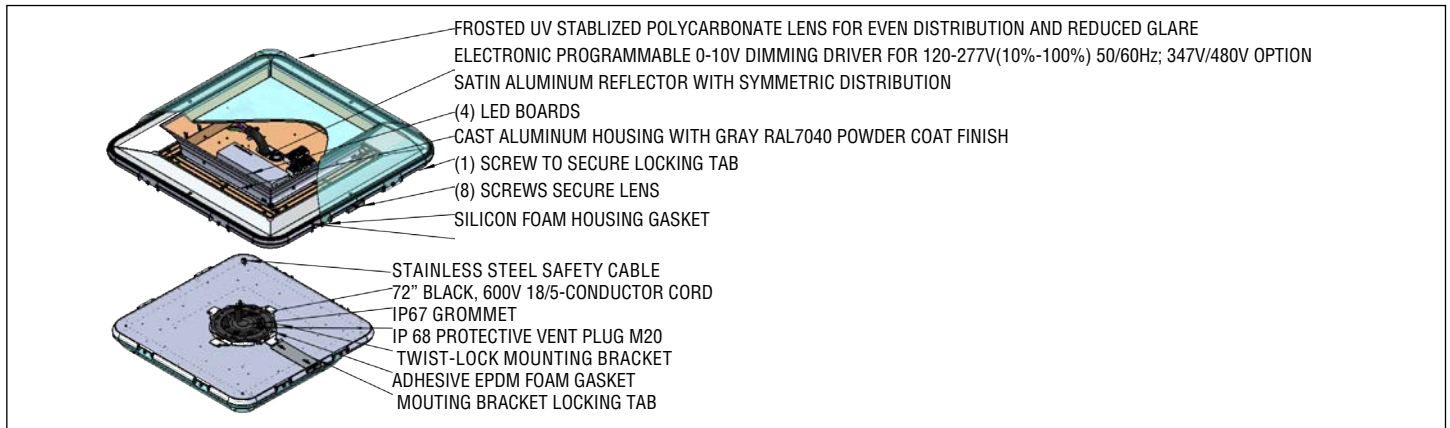
NOTE 9: Consult factory

NOTE 10: Cold temp. emergency pack option for SA models; 120-277V; down to -20°C (-4°F); 14W; 1750 lm

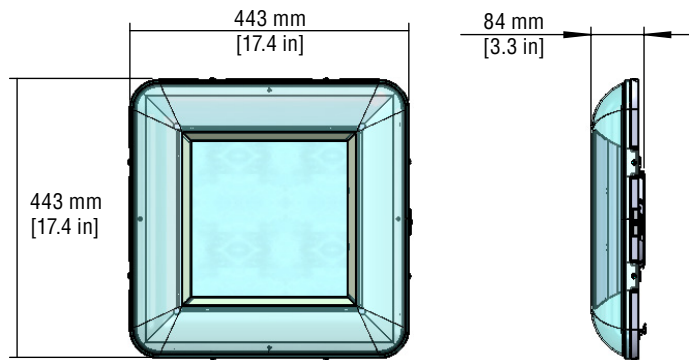
LEDLUMINA BS400LED

ADDITIONAL INFORMATION

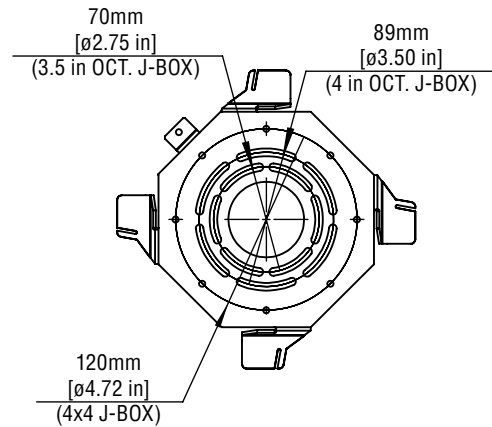
TECHNICAL INFORMATION



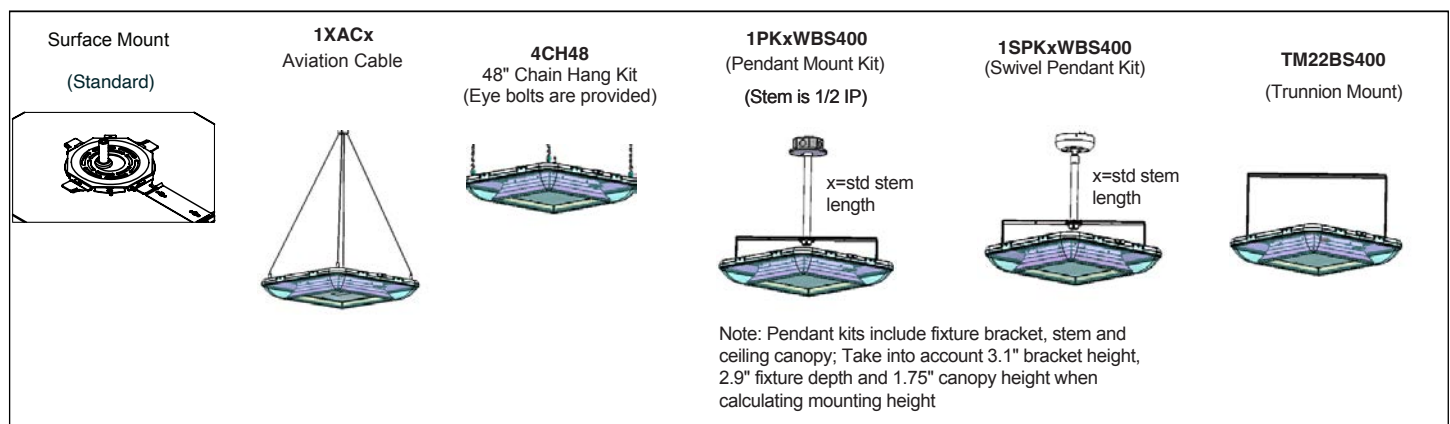
DIMENSIONS



SURFACE MOUNTING (STANDARD WITH BRACKET)



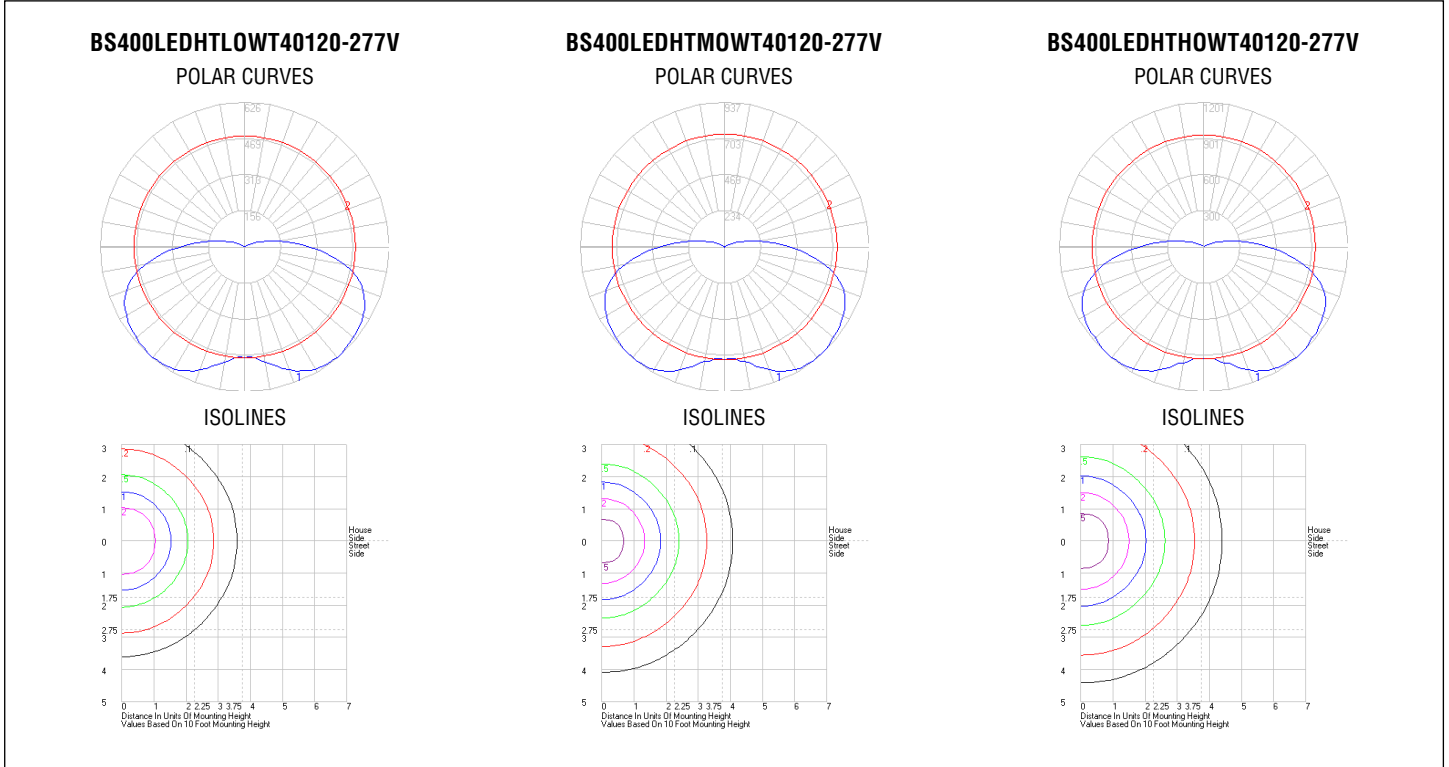
MOUNTING OPTIONS



LEDLUMINA BS400LED

ADDITIONAL INFORMATION

PHOTOMETRICS



ENERGY CHART

MODEL	EFFICACY	CONSUMPTION WATTAGE	LUMEN OUTPUT*	CRI	L70 (HRS) REPORTED/ PROJECTED
BS400LED-HT-LO-WT30-120-277V	119 LPW	30W	3571 LM	>80	>60,000/ 100,000
BS400LED-HT-LO-WT40-120-277V	125 LPW	30W	3753 LM	>80	>60,000/ 100,000
BS400LED-HT-LO-WT50-120-277V	126 LPW	30W	3779 LM	>80	>60,000/ 100,000
BS400LED-HT-MO-WT30-120-277V	119 LPW	45W	5358 LM	>80	>60,000/ 100,000
BS400LED-HT-MO-WT40-120-277V	125 LPW	45W	5632 LM	>80	>60,000/ 100,000
BS400LED-HT-MO-WT50-120-277V	126 LPW	45W	5671 LM	>80	>60,000/ 100,000
BS400LED-HT-HO-WT30-120-277V	115 LPW	60W	6900 LM	>80	>60,000/ 100,000
BS400LED-HT-HO-WT40-120-277V	121 LPW	60W	7233 LM	>80	>60,000/ 100,000
BS400LED-HT-HO-WT50-120-277V	121 LPW	60W	7282 LM	>80	>60,000/ 100,000

* +/- 5%

LEDLUMINA BS400LED

ADDITIONAL INFORMATION

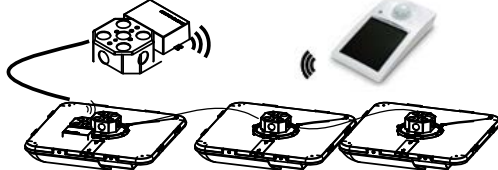







ELECTRICAL RATING

DIMMER COMPATIBILITY

PRODUCT	NOMINAL POWER (W)	AC CURRENT (A) AC VOLTAGE		FREQUENCY (HZ)	DC VOLTAGE (V)	DC CURRENT (MA)	DIMMER	COMPATABILITY	
		120 V	277 V					ON/OFF	DIMMING
BS400LED-HT-LO	30	0.26	0.11	50/60	36	800	LEVITON - AWRMG-7	YES	YES
BS400LED-HT-MO	45	0.38	0.17	50/60	33	1200	LUTRON - DIVA - DVSTV	YES	YES
BS400LED-HT-HO	60	0.51	0.22	50/60	34	1550			

■ **WARRANTY:** 5 years, see website for full warranty details.

BEGHELLI LIGHTING CONTROL SOLUTIONS

DAISY CHAIN FIXTURES (RELAY)	INTEGRATED NODE (NOD)
<p>RLY* Wireless Relay (Damp Location)</p>  <p>EMDCB* Remote Sensor (Damp Location)</p>  <p>SW1* Single Switch (Damp Location)</p> 	<p>NOD* Node</p>  <p>EMDCB* Remote Sensor (Damp Location)</p>  <p>SW1* Single Switch (Damp Location)</p>  <p>SW1⁵ (single BT wireless switch)</p>
INTERNAL NODE & SENSOR (IS)	
<p>IS (Beghelli standard) (Wet Location)</p>  <p>(ON LENS)</p> <p>Internal occ sensor options: ISM1*, FSP221, etc.</p> <p>SW1* Single Switch (Damp Location)</p> 	<p>DEFAULT SETTING:</p> <ul style="list-style-type: none"> • 100% @ Occupied • 50% After 30 minutes without occupation • OFF after an additional 30 minutes without occupation

* Magnum control options also available (RLYM1 relay, SW1M1 switch, NODM1 node and ISM1 sensor)

** Beghelli offers wired and wireless control solutions. Beghelli fixtures are compatible with most control solutions available in the market. Consult factory for more details.