

INSTALLATION INSTRUCTIONS

IMPORTANT SAFEGUARDS

Read & Follow All Safety Instructions

When using electrical equipment, basic safety precautions should always be followed including:

1. Disconnect power before performing work on electrical equipment (using the light switch to turn off the power is not sufficient to prevent electrical shock)
2. Do not use outdoors
3. Do not mount near gas or electric heaters
4. Do not install in unstable, loose or breakable surfaces and do not let objects impact or exert force on the surface of the fixture
5. Use caution when servicing batteries (Battery acid can cause burns to skin and eyes; if acid is spilled on skin or eyes, flush with water and contact a physician immediately)
6. Equipment should be mounted in locations and at heights where it will not be subjected to tampering by unauthorized personnel
7. The use of accessory equipment not recommended by Beghelli Inc may cause an unsafe condition and will void the unit's warranty
8. Do not use this equipment for the other than its intended purpose
9. Installation and servicing of this equipment should be performed by a qualified electrician familiar with the product and the hazards involved
10. Allow battery to charge for 24 hours before first use
11. To prevent wiring damage or abrasion, do not expose wiring to edges of sheet metal or other sharp objects



WARNING

1. Verify correct supply voltage by comparing it with the luminaire label information
2. All wiring connections should be capped with UL approved wire connectors
3. Use minimum 90° C Supply Wires

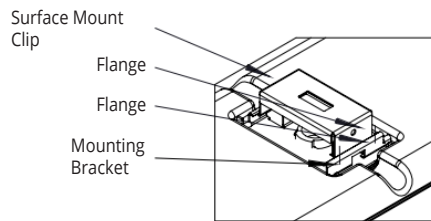


CAUTION

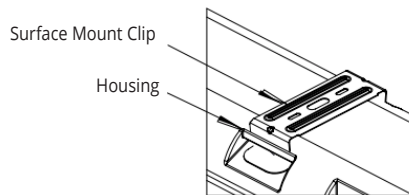
1. Avoid direct eye exposure to the light source while it is on
2. Beware - small parts and packing material may be hazardous to children
3. Risk of burn; Disconnect power and allow fixture to cool before handling fixture

SAVE THESE INSTRUCTIONS

SURFACE MOUNT (STANDARD)



BS100 LED 4FT & 2FT



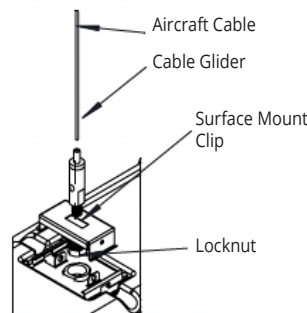
BS101 LED 4FT

1. Attach surface mount clips to mounting surface (ceiling or wall)
2. Snap fixture onto mounting clips
3. Make electrical connections (see wiring diagram on pg 4)

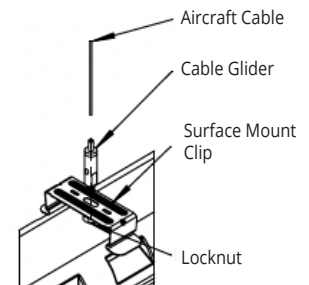
AIRCRAFT CABLE (AC)



1. Attach the cable glider to the surface mounting clip using provided locknut as shown
2. Snap the assembly onto the mounting bracket on the housing (BS100 or BS101)
3. Thread the aircraft cable through the cable glider as shown
4. Push top sleeve of cable glider to release lock and adjust level
5. Make electrical connections as shown on pg 4 (see canopy & wiring diagrams)

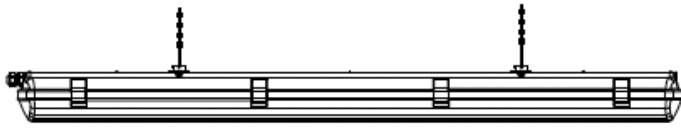


BS100 LED 4FT & 2FT

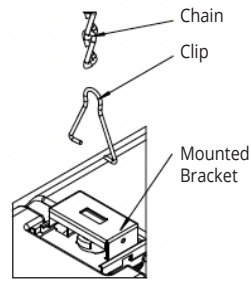


BS101 LED 4FT

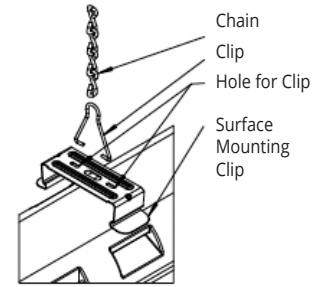
CHAIN HANG (2CH48)



1. Insert the hook clip through the loop of the chain
2. Attach the hook clip onto the holes on top of the mounting bracket on the housing as shown
3. Make electrical connections (see wiring diagram on pg 4)

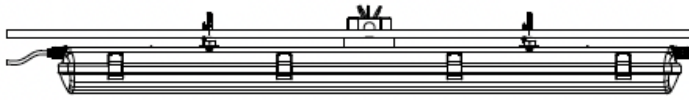


BS100 4FT & 2FT

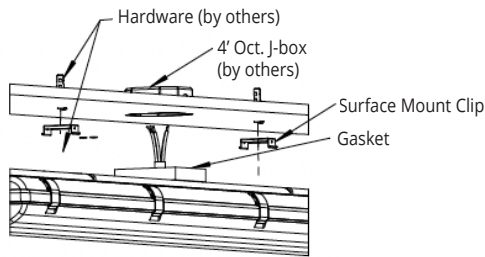


BS101 4FT

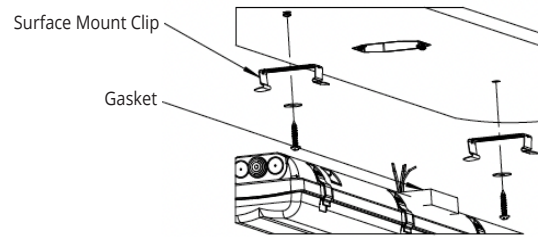
JUNCTION MOUNT (JM)



1. Attach the mounting clips to the ceiling as shown
2. Wire connections to the J-box
3. Snap the fixture onto the mounting clips on the wall/ceiling
4. Make electrical connections (see wiring diagram on pg 4)



BS100 4FT & BS100 2FT

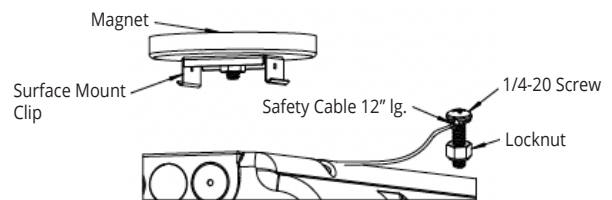


BS101 4FT

MAGNET MOUNT (MM)



1. Snap the magnet assembly onto the fixture
2. Mount the fixture to the metal surface of the main structure
3. Attach the eyelet of the safety cable to the main structure of the building with provided screw & locknut
4. Make electrical connections (see wiring diagram on pg 4)



BS100 ONLY

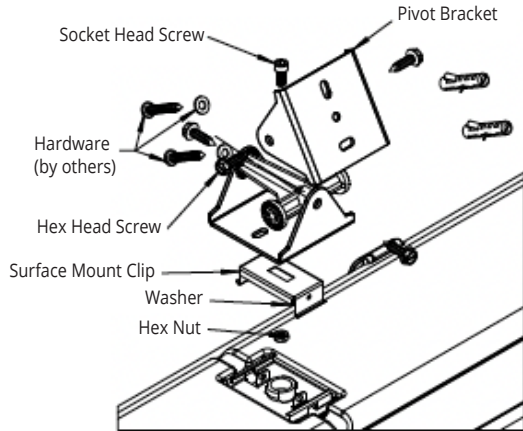
NOTE:

Magnetic mounts must be installed to steel beam measuring minimum 3/16" (4.7mm) thick

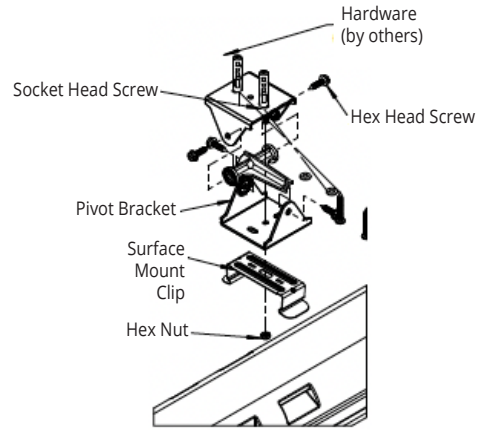
PIVOT MOUNT (PM)



1. Attach the pivot brackets together as shown
2. Attach the pivot mount assembly to the surface mounting clip as shown
3. Mount the assembly to the desired location on the wall/ceiling
4. Snap the fixture onto the pivot brackets on the wall/ceiling
5. Make electrical connections (see wiring diagram on pg 4)

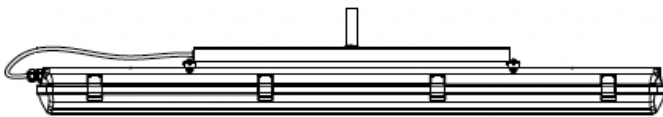


BS100 4FT & 2FT



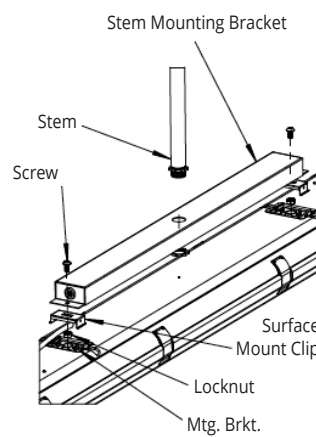
BS101 4FT

SINGLE PENDANT KIT (1PKxWBS02, 1PKxWBS04, 1PKxWBS14, 1SPKxWBS02, 1SPKxWBS04, 1SPKxWBS14*)

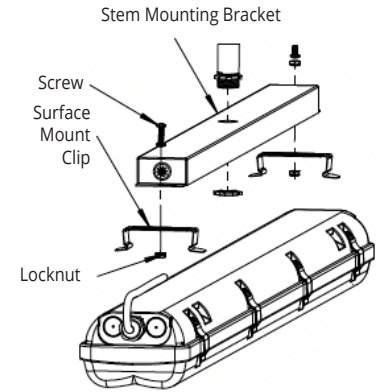


1. Attach surface mount clips to the stem mounting bracket using the provided screws & locknuts as shown
2. Attach the assembled bracket to the stem
3. Feed the power cord through the assembled bracket & make electrical connections in the J-box (see wiring diagram on pg 4)
4. Attach the assembled stem bracket to the J-box (see canopy diagram on pg 4)
5. Snap the fixture onto the surface mount clips

*NOTE: x=length



BS100 4FT & 2FT



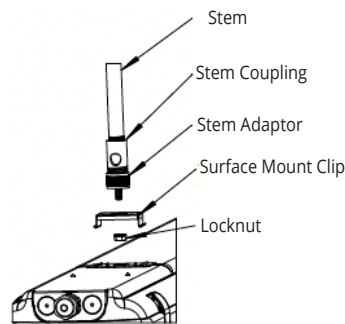
BS101 4FT

DOUBLE PENDANT KIT (2PKx. 2SPKx*)

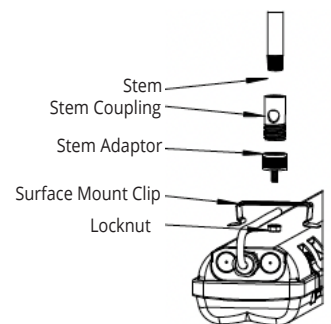


1. Attach the stems to the surface mount clips as shown
2. Feed the power cord through the assembled brackets & make electrical connections in the J-box (see wiring diagram on pg 4)
3. Attach the stems to the J-box (see canopy diagram on pg 4)
4. Snap the fixture onto the surface mount clips

*NOTE: x=length

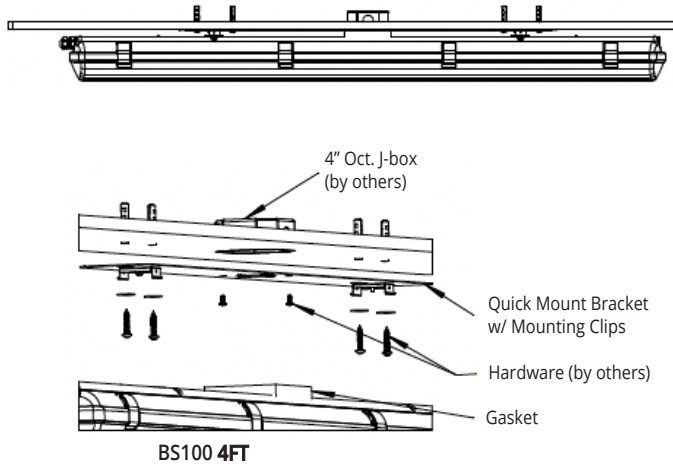


BS100 4FT & 2FT



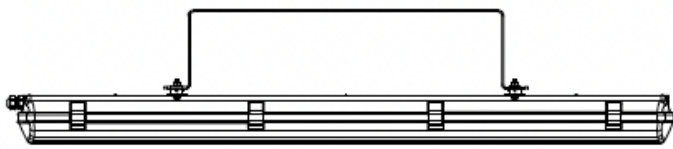
BS101 4FT

IP66 QUICK MOUNT BRACKET (QMBWBS04)



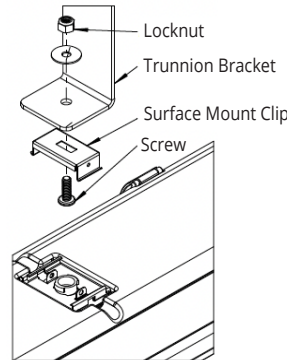
1. Attach the quick mount bracket assembly to the J-box & ceiling as shown
2. Make electrical connections in the J-box (see wiring diagram below)
3. Snap the fixture onto the quick mount bracket assembly

TRUNNION MOUNT KIT (TM22BS04, TM22BS02, TM22BS14)

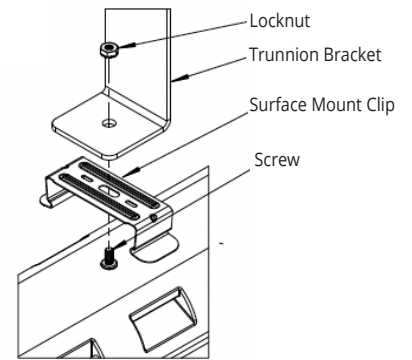


1. Attach the surface mount clips to trunnion bracket as shown
2. Attach the trunnion bracket assembly to the ceiling
3. Snap the fixture onto the surface mounting clips
4. Make electrical connections (see wiring diagram below)

NOTE: Fixture requires JM mounting option



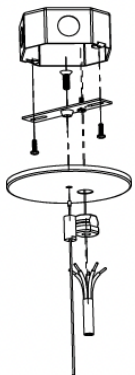
BS100 4FT & 2FT



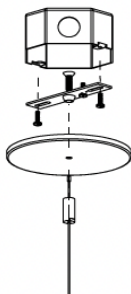
BS101 4FT

CANOPIES

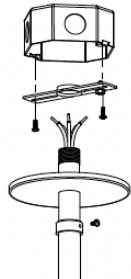
Aircraft Cable Canopy Assembly w/ Feed



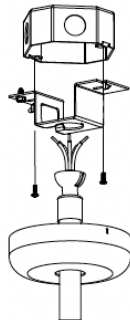
Aircraft Cable Canopy Assembly w/ Non Feed



Pendant Canopy Assembly (Fixed)



Pendant Canopy Assembly (Swivel)



NOTE: Twist the canopy for the tab to engage with slotted hole on canopy

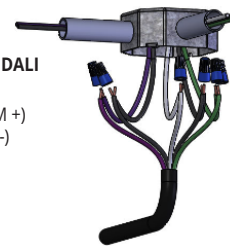
WIRING DIAGRAM

0-10V LEAD/ DALI

VIOLET....(DIM +)
GRAY....(DIM -)

AC LEADS

BLACK....(HOT)
WHITE....(NEUTRAL)
GREEN....(GROUND)



NOTE:
0-10V Dimming wires must be run from a different conduit out of the J-box