

## INSTALLATION INSTRUCTION

# IMPORTANT SAFEGUARDS

Read & Follow All Safety Instructions

When using electrical equipment, basic safety precautions should always be followed including:

1. Disconnect power before performing work on electrical equipment (using the light switch to turn off the power is not sufficient to prevent electrical shock)
2. Do not use outdoors
3. Do not mount near gas or electric heaters
4. Do not install in unstable, loose or breakable surfaces and Do not let objects impact or exert force on the surface of the fixture
5. Equipment should be mounted in locations and at heights where it will not be subjected to tampering by unauthorized personnel
6. The use of accessory equipment not recommended by Beghelli Inc may cause an unsafe condition and will void the unit's warranty
7. Do not use this equipment for other than its intended purpose
8. Installation and servicing of this equipment should be performed by a qualified electrician familiar with the product and the hazards involved to prevent wiring damage or abrasion, do not expose wiring to edges of sheet metal or other sharp objects

**WARNING**

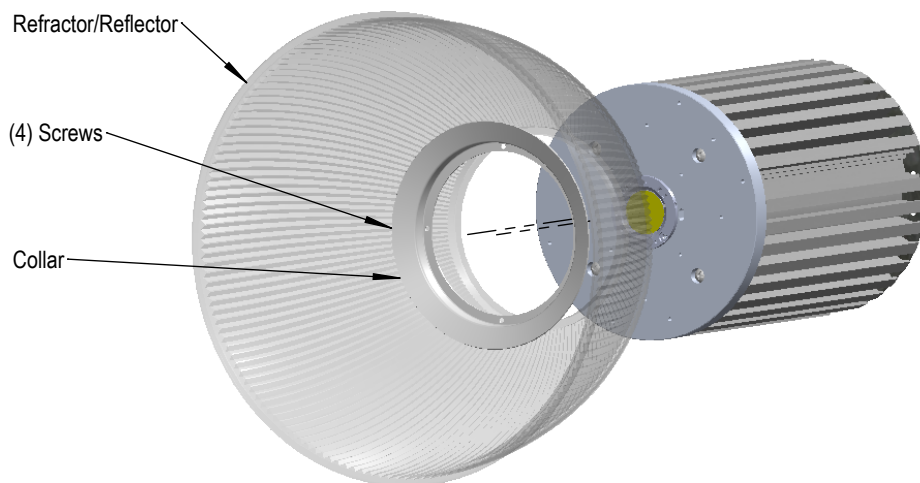
1. Verify correct supply voltage by comparing it with the luminaire label information
2. All wiring connections should be capped with UL approved wire connectors
3. Use minimum 90°C Supply Wires

**CAUTION**

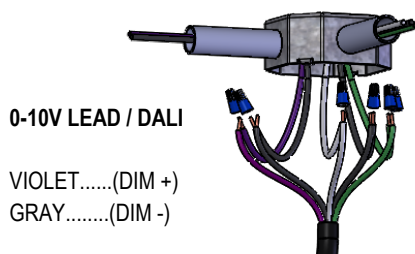
1. Avoid direct eye exposure to the light source while it is on
2. Beware- small parts and packing material may be hazardous to children
3. Risk of burn; Disconnect power and allow fixture to cool before handling fixture

**SAVE THESE INSTRUCTIONS**

**TYPICAL DRC ACRYLIC REFRACTOR / ALUMINUM REFLECTOR INSTALLATION**



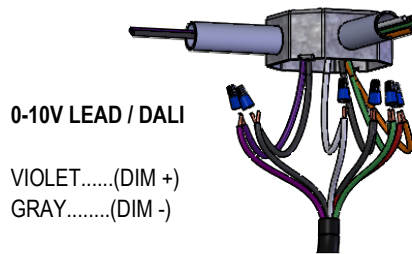
**TYPICAL AC ONLY WIRING**



**AC LEADS**

- BLACK..... (HOT)
- WHITE.....(NEUTRAL)
- GREEN..... (GROUND)

**TYPICAL AC & EM WIRING**

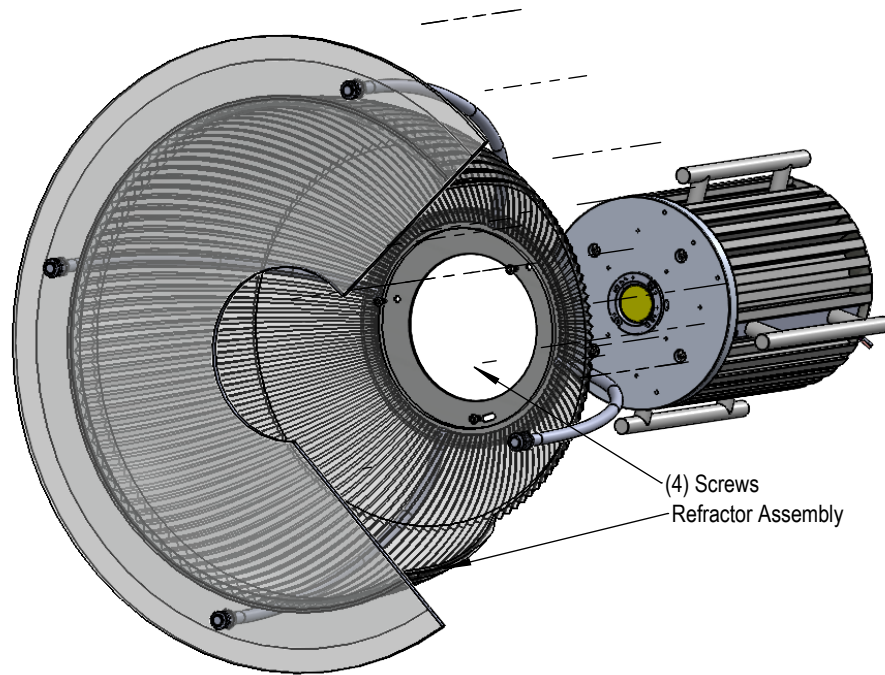


**AC LEADS**

- BLACK..... (SWITCHED)
- WHITE.....(NEUTRAL)
- GREEN..... (GROUND)
- RED/ORANGE (UNSWITCHED)

- 0-10V DIMMING WIRES MUST BE RUN FROM A DIFFERENT CONDUIT OUT OF THE J-BOX

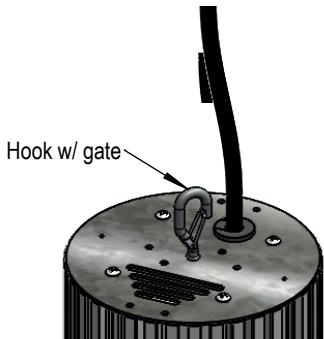
**TYPICAL DRCG ACRYLIC REFRACTOR WITH GLASS TRIM ASSEMBLY INSTALLATION**



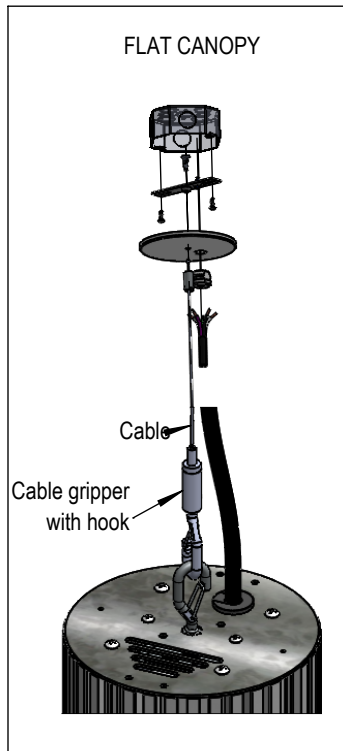
**MOUNTING**

**MOUNTING ACCESSORIES**

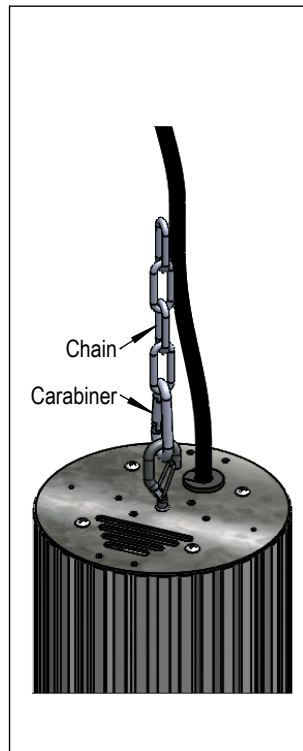
HOOK  
(STANDARD)



AIRCRAFT CABLE KIT  
(1AC72HK)



CHAIN HANG KIT  
(1CH48)



PENDANT KIT  
(1PKXY38/1SPKXY38)

