

Project: \_\_\_\_\_ Type: \_\_\_\_\_  
 Model: \_\_\_\_\_ Date: \_\_\_\_\_



## ■ about

The **BBX** is a powerful, environmentally-friendly emergency lighting solution that utilizes LiFePO4 (LFP) batteries. Its high-powered LED lamp heads deliver industry-leading **125'** path of egress spacing. The **BBX** is the perfect solution for factories, warehouses, universities, airports, malls and any large area or an egress paths with a lengthy corridor.

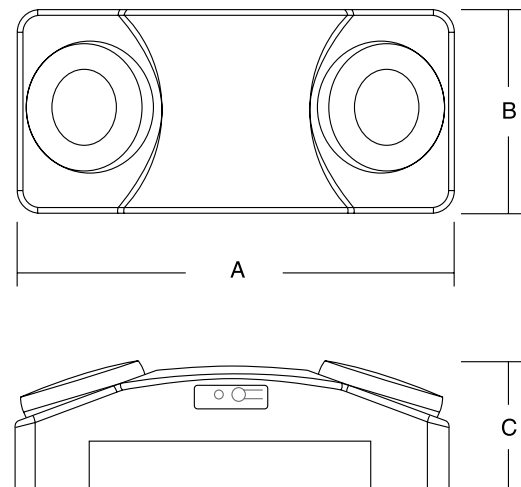
## ■ internal

The **BBX** emergency lighting unit is one of very few units that consumes a trickle amount of power once charged. When multiplied by the total amount of units installed on site, this equates to a substantial savings over the years in service. The unit is configured with a wide input voltage range of 120 to 277VAC @ 50/60 Hz. The low power consumption of the BBX is California Energy Commission (CEC - T20) compliant. The optional remote capable unit has a 9V/5.4W output and can power up to three BR or five BRW remote heads for a minimum of 90 minutes of emergency illumination. The fixture has an operating temperature of 10°C to 40°C (50°F to 104°F)

## ■ external

The **BBX** is constructed from high-impact, UV stabilized, UL 5VA flame-resistant, thermoplastic that protects against corrosion, denting, peeling and scratching. No tools are required to access this unit, allowing for easy maintenance. Two fully adjustable 2.7W LED lamp heads (600 lumens total) come with the **BBX** while two 5.4W LED lamp heads (1300 lumens total) come with the **BBX HO**.

## ■ dimensions



Series	A	B	C
BBX	12.1" 307 mm	5.5" 140 mm	3.8" 96.5 mm

## ■ ordering logic

EXAMPLE: BBX SE HO AT

Series	Operation	Output	Finish	Options
BBX	SE (EM Only)	Blank <sup>1</sup> (Standard) HO <sup>2</sup> (High Output)	BLK (Black) WHT (White)	AT <sup>3</sup> (Autotest) R <sup>3,4</sup> (Remote Capable)

- NOTE 1: Comes with (2) 2.7W LED Lamps (600 lm)
- NOTE 2: Comes with (2) 5.4W LED Lamps (1300 lm)
- NOTE 3: AT & R not available together
- NOTE 4: Not available with BBX-SE-HO Series

## ■ electrical

**BATTERY:** The **BBX** utilizes a maintenance-free, environmentally friendly LiFePO4 (Lithium Phosphate) battery, known for using only a minuscule amount of power once charged. LiFePO4 batteries are one of the safest battery technologies available due to their thermal and chemical stability. The cells' chemistry allows for environmentally friendly disposal, thus making it one of the "greenest" power sources on the market. This unit provides best-in-class performance with its high-power density and extremely low discharge rate. A fully charged pack disconnects from the charging circuit, no longer drawing power. When multiplied by the number of units on site, this is a massive savings over the service life of the fixtures. Recharge time is 24 hours.

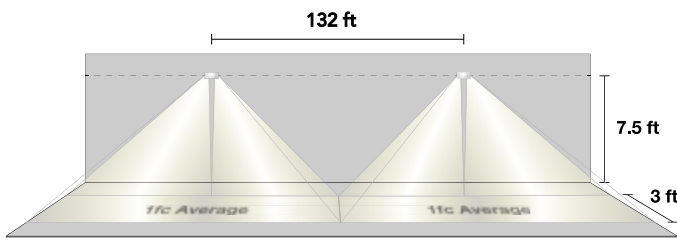
**CIRCUIT:** The **BBX** has a wide input voltage range of 120 to 277VAC @ 50/60Hz. A solid-state switching transistor eliminates damaged contacts or mechanical failures associated with relays. The switching circuit is designed to detect a loss of AC power and will automatically energize the lamps. Once the AC voltage is restored, the emergency lamps will turn off and the charging circuit will automatically recharge the battery.

## ■ installation

A universal J-box mounting pattern and rear keyhole slots are provided to surface mount unit to ceiling or wall.

## ■ photometrics

Model	Mount Height	On-Center Spacing		Path of Egress
		1 Fixture	Multiple Fixtures	
BBX	7.5 ft	80 ft	84 ft	3 ft
BBX	7.5 ft	66 ft	72 ft	6 ft
BBX HO	7.5 ft	125 ft	132 ft	3 ft
BBX HO	7.5 ft	116 ft	122 ft	6 ft



BBX HO Example

**Disclosure:**

Spacing is measured in lab conditions with an assumed open space, no obstructions and reflection rates of 80 (ceiling)/50 (walls)/20 (floor). Actual spacing may vary depending on what environment the fixture is installed in.

## ■ autotest

The **BBX** has the option for the Beghelli Autotest diagnostic system. Autotest features continuous monitoring of the unit's main components (battery, charger, solid-state transformer, & LEDs) and provides instant visual verification of the status.

**SYSTEM FEATURES:**

- Monitors battery disconnection, charger failure, LED failure and transformer fault every 5 seconds without discharging the battery.
- Automatically indicates LED, battery and charger status by flashing the red indicator LED in a prescribed sequence. Refer to Autotest instruction manual.
- Factory preset Autotest does not need to be field adjusted or reset for proper operation.

**AUTOTEST FUNCTIONS:**

- Three (3) minute Autotest once a month.
- Ninety (90) minute Autotest every twelve (12) months.

Refer to Autotest instruction manual for detailed operation of the Autotest function.

## ■ warranty

The **BBX** comes with a 3-year factory warranty. Battery is prorated for five years. Deliberate damage, misuse, improper installation effectively cancel the warranty. Find complete warranty details online at [beghelliusa.com](http://beghelliusa.com).