

ILLUMINA®



BS100LED-GREEN

- The ILLUMINA® BS100LED has been designed to operate at 530nm.
- **HOUSING:** 100% UV stabilized polycarbonate, liquid silicone perimeter gasket with memory retention.
- **DIFFUSER:** Frosted UV stabilized polycarbonate diffuser, providing even light distribution.
- **POWER CONSUMPTION:** 45W (2ft) - 60W(4ft)
- **LUMEN OUTPUT:** 3789 lumens (2ft) - 5049 lumens (4ft)



APPLICATION: The BS100LED GREEN is ideal for horticultural applications by safely lighting the dark cycle when growing short-day plants. This GREEN solution can't be seen by plants, allowing it to perform critical tasks in the grow rooms.

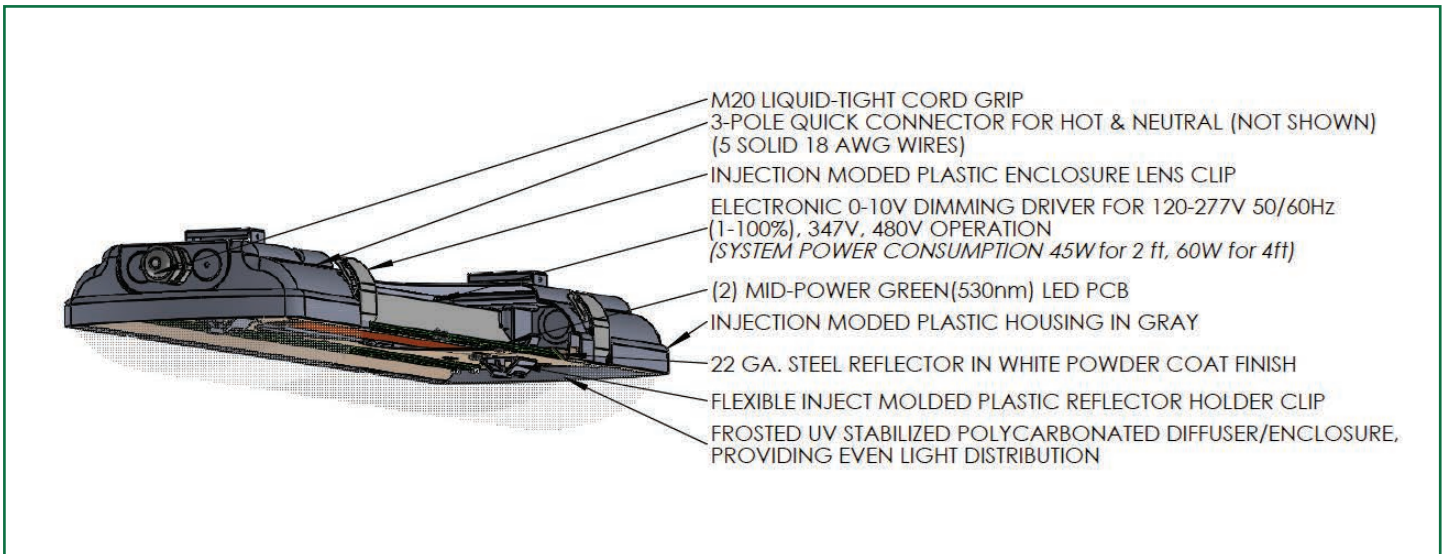
CONFIGURATIONS

MODEL	LENGTH	OPERATION	COLOR	INPUT	MOUNTING
BS100LED	2 (ft)	HT (AC only)	G (530nm green)	120-277V	SM ¹ (surface/wall mount ²)
	4 (ft)	SA (AC & EM)		347-480V	

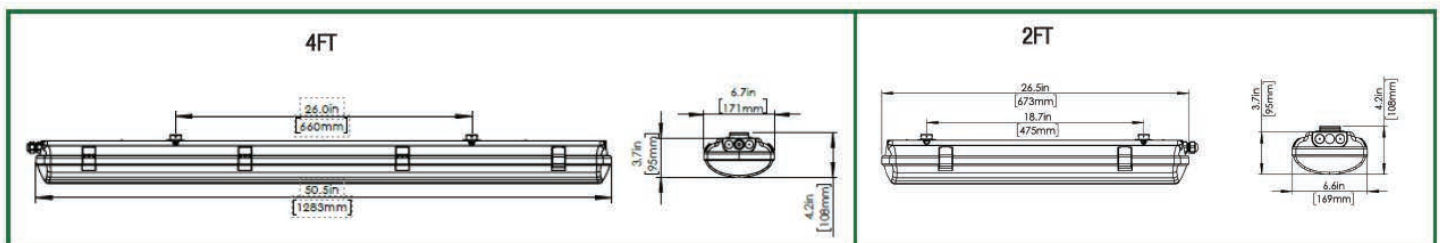
NOTE 1: Other mounting options are available. Please contact factory.

NOTE 2: When wall mounting, damp location only.

TECHNICAL INFORMATION

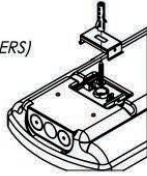


DIMENSIONS



MOUNTING

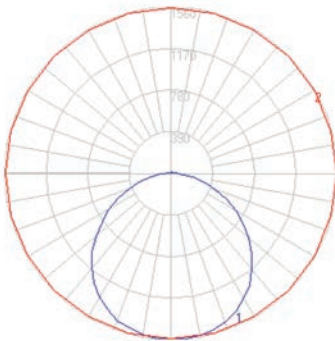
SURFACE MTG.
(HARDWARE BY OTHERS)



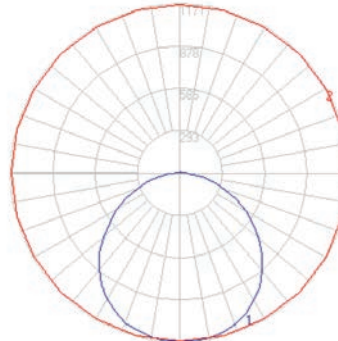
PHOTOMETRICS

POLAR CURVES

BS100LEDG4HT120-277V



BS100LEDG2HT120-277V



PERFORMANCE

Length (ft)	Power (W)	PPFD (μmol/sec)	PPE (μmol/J)	Lumen Output (lm)	Luminous Efficacy (lm/W)	CCT (°K)	CRI (Ra)	Spectral Distribution
2	45	71.5	1.6	3789	84	8032	-22.6	See image below
4	60	92.3	1.6	5049	84	8032	-22.6	See image below

SPECTRUM

