

# BTMR - MR16 Die-Cast Aluminum Remote Head



Project: \_\_\_\_\_

Type: \_\_\_\_\_

Model: \_\_\_\_\_

Date: \_\_\_\_\_



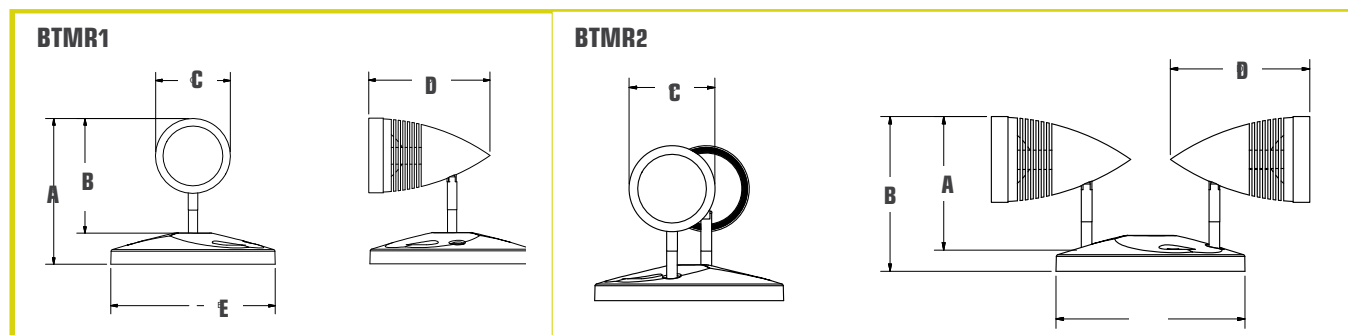
## ■ btmr - mr16 surface emergency remote

The BTMR series is a die-cast aluminum emergency lighting remote that features a powerful MR16 lamp. The BTMR series are supplied standard in a white finish. The advanced rotary collar design locks the lamp and internal fixture parts into place while allowing for simple lamp replacement. The rotary collar system features a friction lock fully adjustable swivel - no tools are needed to aim the lamp. The operating temperature is from -22°F to 104°F (-30°C to 40°C).

## ■ lamp selection

	6V	12V	24V
MR16	-	50W	-
MR16 LED	5, 7W	2, 5, 7W	5, 7W

## ■ dimensions



MODEL	A	B	C	D	E
BTMR1 (single head)	4 <sup>3</sup> / <sub>8</sub> " (113mm)	3 <sup>1</sup> / <sub>2</sub> " (89mm)	2 <sup>1</sup> / <sub>4</sub> " (58mm)	3 <sup>3</sup> / <sub>4</sub> " (94mm)	5" (127mm)
BTMR2 (double head)	4 <sup>1</sup> / <sub>8</sub> " (104mm)	3 <sup>1</sup> / <sub>2</sub> " (89mm)	2 <sup>1</sup> / <sub>4</sub> " (58mm)	3 <sup>3</sup> / <sub>4</sub> " (94mm)	5" (127mm)

## ■ ordering information

EXAMPLE: BTMR2 12V5WLED B

Series	Voltage / Wattage	Options
BTMR1 (single head)	See lamp selection	B (black remote and canopy)
BTMR2 (double head)		LC (less canopy)