

CASTEX 320



HAZARDOUS

■ The **CASTEX 320** is a hazardous location luminaire rated for use in:

- Class I, Division 1, Groups C, D
- Class I, Division 2, Groups A, B, C, D
- Class II, Division 1, Groups E, F, G
- Class II, Division 2, Groups F, G
- Class III
- Class I, Zone 1, Group IIB
- Class II, Zone 21, Group IIIC
- UL1598 (Wet Location) & UL1598A (Marine)
- Temperature Code: T4

■ **MOUNTING:** Adjustable surface ceiling/ wall mount bracket standard

■ **HOUSING:** Die-cast, ADC12 aluminum alloy body, 6mm thick, with marine grade RAL7040 powder coat gray finish

■ **DIFFUSER:** 8mm tempered glass, wide 120° distribution standard

■ **COLOR TEMPERATURE:** 5000K standard

■ **LUMENS:**

- VLO: 60W @ 8400 lm (EM: 15W @ 2100 lm)
- LO: 80W @ 11200 lm (EM: 15W @ 2100 lm)
- MO: 100W @ 14000 lm (EM: 15W @ 2100 lm)
- HO: 150W @ 21000 lm (EM: 15W @ 2100 lm)

■ **DIMMING:** 0-10VDC dimming standard

■ **OPERATING TEMP:**

- HT (AC Only) -40°F to 131°F (-40°C to 55°C)
- SA (AC & EM) 32°F to 104°F (0°C to 40°C)



■ **WEIGHT:** 15.4 to 39.5 lbs

■ **APPLICATION:** The **CASTEX 320** is designed for impact resistance and is ideal for heavy industry such as mining, refineries, chemical, food, paper mills, waste water treatment, coastal marine facilities and corrosive environments.

ORDERING INFORMATION

Example: HZCAS320HTHODIMW50120-277V

MODEL	OPERATION	OUTPUT	DIMMABLE	COLOR TEMP	INPUT	OPTIONS
HZCAS320	HT (AC only)	VLO	DIM (0-10V dimming)	WT40 ² (4000K)	120-277V	BAA (Buy American Act)
	SA ¹ (AC & EM)	LO ²		WT50 ³ (5000K)	HV ⁴	
		MO				
		HO ²				ACCESSORIES

HZJBOX (J-box)

HZPK12 (12" pendant stem)

NOTE 1: Consult factory for lead time

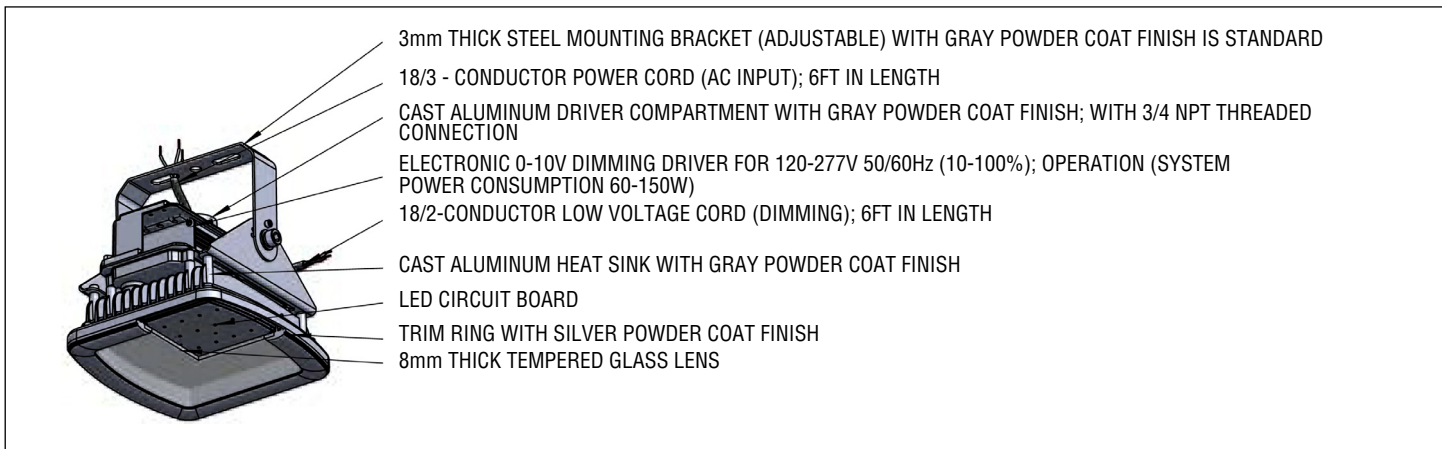
NOTE 2: LO & HO available in 4000K

NOTE 3: Other color temperatures available (2700K to 7000K), contact factory

NOTE 4: High voltage option available (200 to 480V), contact factory for lead time

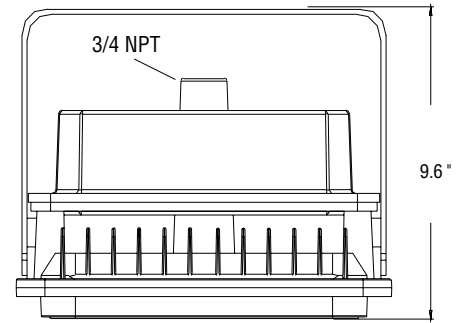
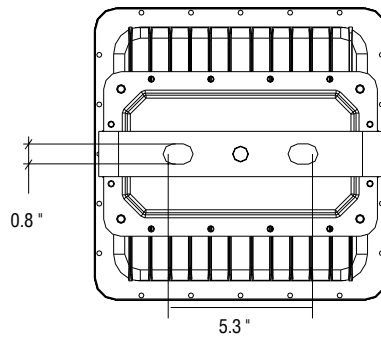
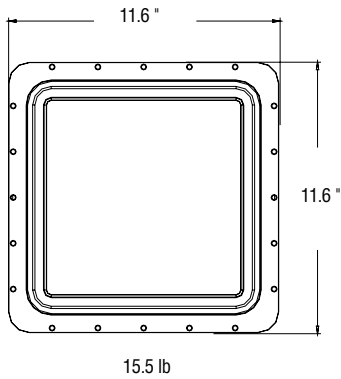
NOTE: Surface ceiling/ wall mount is standard

DIAGRAM

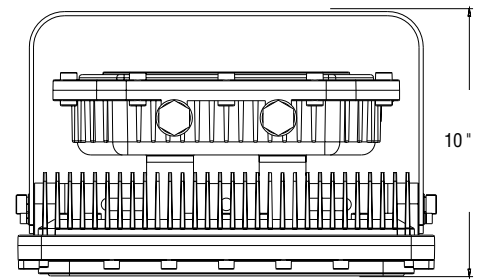
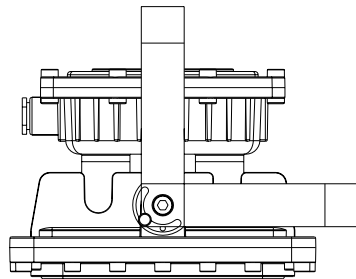
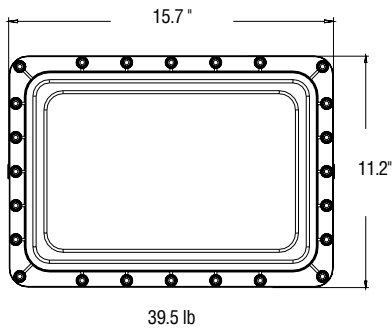


DIMENSIONS

VLO & LO: SQUARE

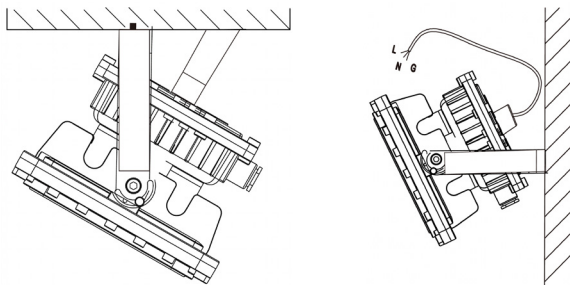


MO & HO: RECTANGLE

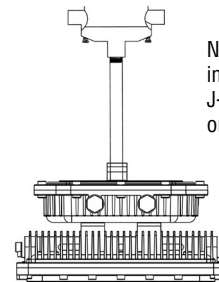


MOUNTING OPTIONS

Standard
(surface ceiling/ wall mount bracket)
(Aimable 90° both sides in 22.5° increments)



Pendant Mount
(HZPK12)



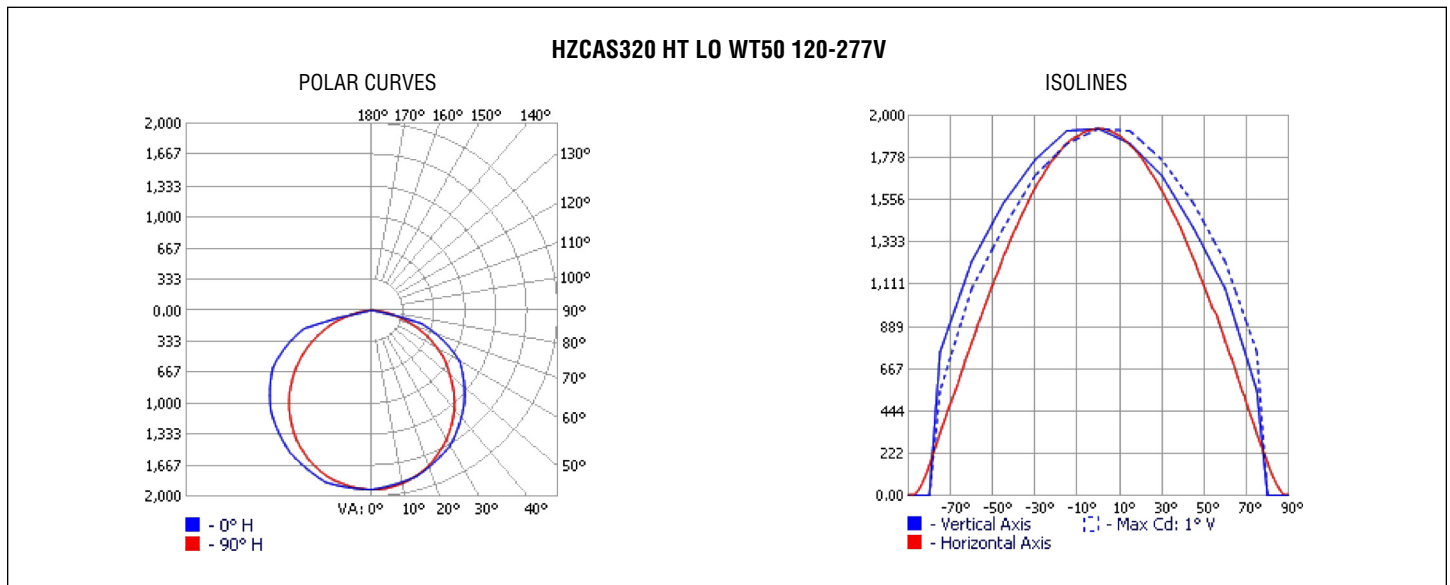
Note: HZPK12 does not include hazardous rated J-box. HZJBOX must be ordered separately.

NOTE: Power cord cannot be exposed. Hazardous conduit or hazardous J-box mounting required.

CASTEX 320

ADDITIONAL INFORMATION

PHOTOMETRICS



ENERGY CHART

MODEL (5000K CCT)	EFFICACY	CONSUMPTION WATTAGE	LUMEN OUTPUT	CRI	L70 (HRS) @ 55°C
HZCAS320 HT VLO	140 LPW	60	8400 lm	>70	>150,000
HZCAS320 HT LO	140 LPW	80	11200 lm	>70	>150,000
HZCAS320 HT MO	140 LPW	100	14000 lm	>70	>150,000
HZCAS320 HT HO	140 LPW	150	21000 lm	>70	>150,000

ELECTRICAL RATING

PRODUCT	NOMINAL POWER (W)	AC CURRENT (A) AC VOLTAGE		FREQUENCY (HZ)	DC VOLTAGE (V)	DC CURRENT (MA)
		120 V	277 V			
HZCAS320 HT VLO	60	0.51	0.22	50/60	48	1250
HZCAS320 HT LO	80	0.68	0.29	50/60	48	1670
HZCAS320 HT MO	100	0.85	0.37	50/60	48	2090
HZCAS320 HT HO	150	1.28	0.55	50/60	48	3130

DIMMER COMPATIBILITY

DIMMER	COMPATIBILITY	
	ON/OFF	DIMMING
LEVITON - AWRMG-7	YES	YES
LUTRON - DIVE - DVSTV	YES	YES

■ **WARRANTY:** 5 years, see website for full warranty details.