

Project: \_\_\_\_\_

Type: \_\_\_\_\_

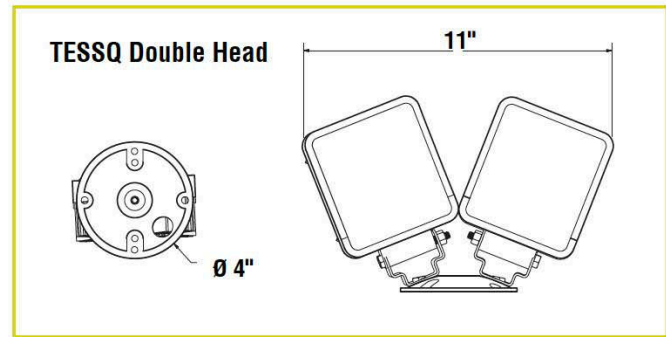
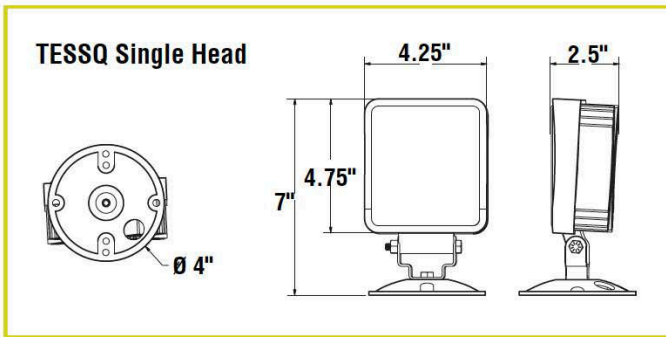
Model: \_\_\_\_\_

Date: \_\_\_\_\_

- Die-cast aluminum construction
- 653 to 2578 lumens
- Impact resistant acrylic lens
- NEMA 4X rating for wet locations
- Stainless steel swivel for precise aiming



### ■ dimensions



### ■ high output LED REMOTE

The **TESTA** remote heads are designed for applications requiring maximum light output. With up to 2578 lumens per head and precise optics, the **TESTA** is the perfect choice for high ceilings, long tunnels and harsh environments.

### ■ external specifications

The **TESTA** series housings are constructed from corrosion resistant, cast aluminum. Lenses are made from impact resistant acrylic to resist yellowing. The NEMA 4X design of the **TESTA** is fully gasketed for protection against wet and dust-filled environments.

The **TESTA** is currently available in a standard black finish and in limited variations. Contact factory for more information.

### ■ led head

**TESTA** can be configured with one or two heads. The **TESTA** is available in a square style with up to 2578 lm per head.

### ■ installation

The **TESTA** series of remotes fixtures are suitable for surface wall and ceiling, and indoor and outdoor environments. The operating temperature is -22°F to 104°F (-30°C to 40°C).

### ■ electrical rating

| Testa Head | Voltage (V) | Rated Current (A) | Max Wattage (W) |
|------------|-------------|-------------------|-----------------|
| TESSQ30    | 12V         | 2.25              | 30              |
|            | 24V         | 1.125             |                 |

### ■ ordering information

EXAMPLE: TESSQ30 2 1224V

| Series | Output            | Head #          | Voltage       | Options          |
|--------|-------------------|-----------------|---------------|------------------|
| TESSQ  | 5 (5W, 653 lm)    | 1 (single head) | 1224 (12-24V) | LC (less canopy) |
|        | 9 (9W, 1125 lm)   | 2 (double head) |               |                  |
|        | 14 (14W, 1487 lm) |                 |               |                  |
|        | 30 (30W, 2578 lm) |                 |               |                  |