

# SCALA



## STAIRWELL LED

- **SCALA** is **DesignLights Consortium®** qualified for stairwells and passageways and is designed to meet all stairwell lighting requirements while providing an energy saving solution.
- **DIFFUSER:** Frosted UV stabilized polycarbonate diffuser, providing even light distribution.
- **SMART TECHNOLOGY:** The **SCALA** incorporates bi-level dimming controlled by a passive infrared sensor to provide safe and dependable illumination during occupied times while adjusting levels down when unoccupied.
- **LUMENS:**
  - LO: 3876 up to 4635 lm
  - MO: 5176 up to 6172 lm
  - HO: 6466 up to 7716 lm
- **POWER FACTOR** > 0.95
- **TOTAL HARMONIC DISTORTION (THD)** < 20%
- **OPERATING TEMP:** HT (AC Only) -40°F to 104°F (-40°C to 40°C)  
SA (AC & Emergency) 32°F to 104°F (0°C to 40°C)
- **WEIGHT:** 5 lbs. / 2.27 kg



**APPLICATION:** The **SCALA** is a perfect solution for stairwells and other low-occupancy areas such as storage facilities, restrooms, corridors, laundry rooms, and maintenance areas.

### CONFIGURATIONS

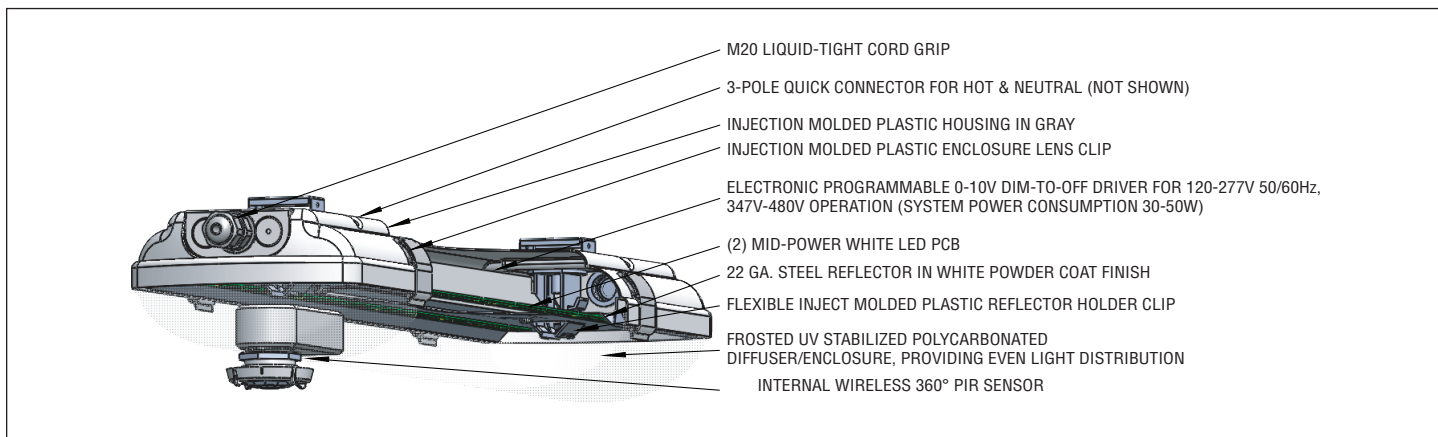
Example: SCA 2HT LO WT30 120-277V CH

MODEL	LENGTH	OPERATION	LUMENS	COLOR TEMP	INPUT	MOUNTING	OPTIONS
SCA	2 (ft)	HT (AC only)	LO	WT30 (3000K)	120-277V	AC <sup>2</sup> (aviation cable)	BLK <sup>7</sup> (black housing)
		SA (AC&EM) <sup>1</sup>	MO	WT40 (4000K)	347-480V	CH <sup>3</sup> (chain hang kit)	CRD <sup>8</sup> (black, 18AWG, 3-conductor cord)
			HO	WT50 (5000K)		DPK <sup>3</sup> (double pendant kit)	D (dali)
						JM <sup>4</sup> (junction mount)	FA <sup>9</sup> (fully assembled)
						MM <sup>5</sup> (magnet mount)	FP (fuse protection - 3A)
						PM (pivot mount)	SP (surge protection - 10KA)
						QMB <sup>6</sup> (quick mount bracket)	SS (stainless steel clips)
						SPK <sup>3</sup> (single pendant kit)	TPS (tamper proof stainless steel screws)
						SVLSPK <sup>3</sup> (swivel single pendant kit)	WHT <sup>7</sup> (white housing)
						SVLDPK <sup>3</sup> (swivel double pendant kit)	
						TM <sup>3</sup> (trunion mount)	

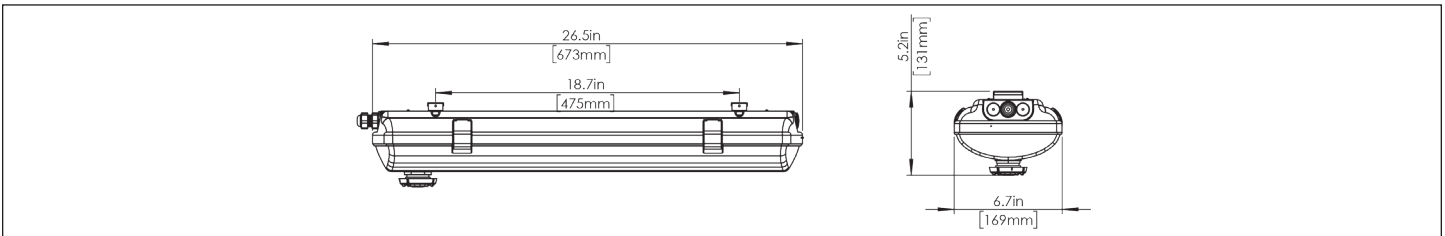
NOTE 1: Title 20 field installation emergency pack 120-277V, 7W/1022 lm.  
 NOTE 2: Specify length for AC:50", 72", 100", 150", 250" fully adjustable.  
 NOTE 3: SPK, DPK, CH, TM, SVLDPK & SVLSPK options must specify length.  
 NOTE 4: JM option - the unit is no longer wet location, but damp location.  
 NOTE 5: Magnetic mounts must be installed to steel beam measuring minimum 3/16" (4.7mm) thick.

NOTE 6: QMB must be used with JM.  
 NOTE 7: Contact Factory  
 NOTE 8: Specify length for CRD.  
 NOTE 9: Includes latches and grommets installed at the factory. Can be combined with the JM option.  
 NOTE: Surface mount is standard.

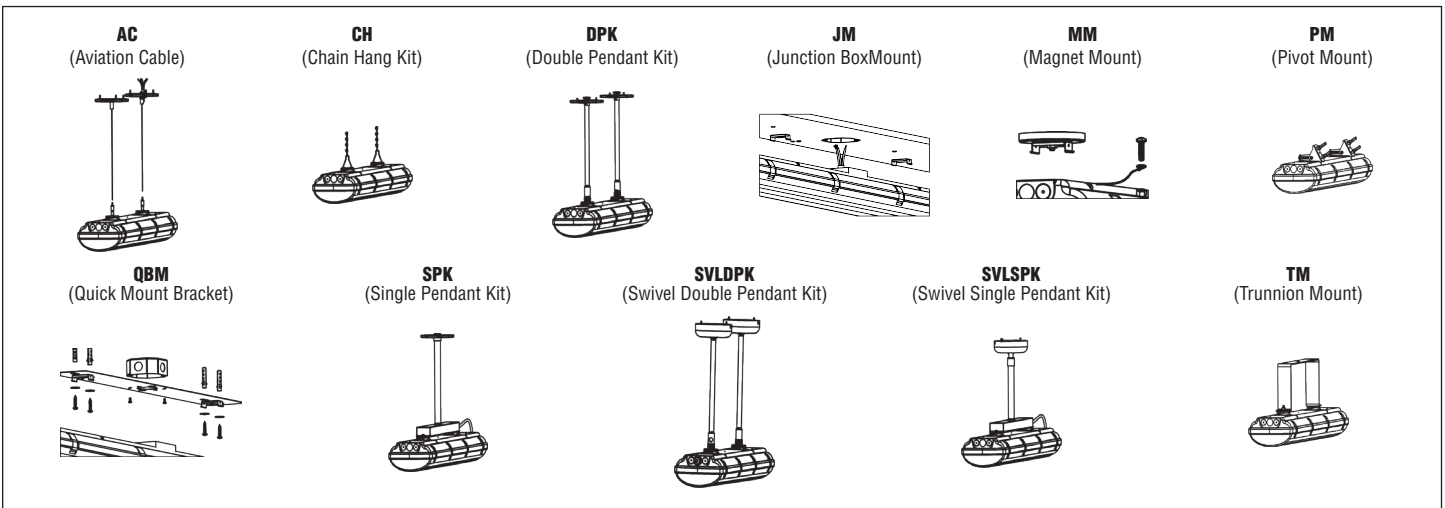
### TECHNICAL INFORMATION



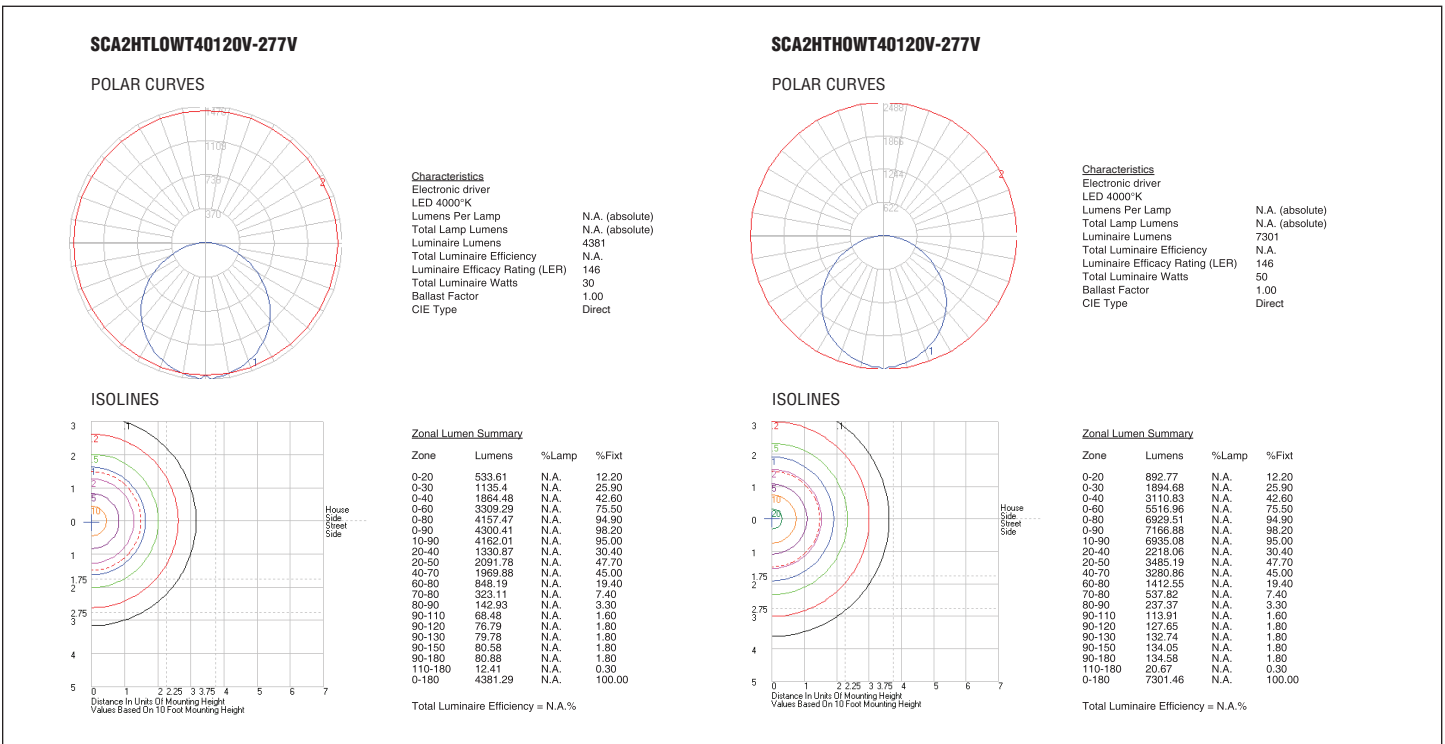
**DIMENSIONS**



**MOUNTING OPTIONS**



**PHOTOMETRICS**



# SCALA

## ENERGY CHART

MODEL	LENGTH	EFFICACY	CONSUMPTION WATTAGE	LUMEN OUTPUT	CRI	L70 (hrs) (TESTED)	L70 (hrs) (PROJECTED)
SCA 2HT LO WT30 120-277V	2 ft	129 lm/W	30	3876	>80	>60,000	>100,000
SCA 2HT LO WT40 120-277V	2 ft	146 lm/W	30	4381	>80	>60,000	>100,000
SCA 2HT LO WT50 120-277V	2 ft	154 lm/W	30	4635	>80	>60,000	>100,000
SCA 2HT HO WT30 120-277V	2 ft	129 lm/W	50	6466	>80	>60,000	>100,000
SCA 2HT HO WT40 120-277V	2 ft	146 lm/W	50	7301	>80	>60,000	>100,000
SCA 2HT HO WT50 120-277V	2 ft	154 lm/W	50	7716	>80	>60,000	>100,000

## ELECTRICAL RATING

PRODUCT	NOMINAL POWER (W)	AC CURRENT (A)		FREQUENCY (HZ)	DC VOLTAGE (V)	DC CURRENT (MA)
		AC VOLTAGE				
		120V	277V			
SCA 2HT LO	30	0.26	0.11	50/60	45	600
SCA 2HT MO	40	0.34	0.15	50/60	45	800
SCA 2HT HO	50	0.43	0.18	50/60	45	1000

## DIMMER COMPATIBILITY

DIMMER	COMPATABILITY DIMMING	
LEVITON - AWRMG - 7	YES	YES
LUTRON - DIVE - DVSTV	YES	YES
LUTRON - DIVE - DVTV	YES	YES
WATT STOPPER DCLV1	YES	YES

■ **WARRANTY:** 5 years, see website for full warranty details.