

Job: _____	Type: _____
Model: _____	Date: _____



**Mounting:** The **CYCLONE** can be wall/ceiling mounted and is field adjustable

The **CYCLONE** is available in AC only and Self-powered variations. Field adjustable chevrons are standard.

The **CYCLONE** edgelit Exit features a clean, cylindrical design. When paired with die-cast canopy, the **CYCLONE** provides a fresh approach to the traditional exit sign. The "quick slide" canopy allows in-field adjustment from wall mount to ceiling mount. Utilizing direct, high-output, high efficiency LEDs, the **CYCLONE** illuminates with a crisp and even light distribution.



**OVAL**

## ■ internal

AC only, and self-powered come standard configured with configured with high output, high efficiency LED's, 120/277V input. Self-Powered (SA) models use nickel cadmium batteries that provide a minimum 90 minutes of emergency duration. Optional 120 minute duration battery and autotest are available. Solid state charger & transfer. Fuse protection is standard.

## ■ external

The cylindrical housing is constructed as a single piece from extruded aluminum. The canopy is made from durable die-cast aluminum and the end caps from machined aluminum. The high clarity acrylic face plate is available in both single face or double face versions, with a clear, white, or mirrored (please specify). Field adjustable chevrons are standard. White, baked powder coat finish is standard on all versions. Available in custom colors and finishes (please specify). External LED monitor light and test switch are standard on self-powered versions.

## ■ ordering information

EXAMPLE: CYC SA LR2 MIR WCS BLK

Series	Operation	Letter Color	No. of Faces	Panel	Mounting	Options
CYC	HT (AC Only)	LR (red)	1 (single)	CLR <sup>1</sup> (clear)	ES (end surface)	120SA (120 minute emergency)
	SA (Self-powered)	LG (green)	2 (double)	MIR (mirror) WHT (white)	WCS (wall/ceiling surface)	AT (autotest) BA (brushed aluminum finish) BLK (black finish) CC (custom color - specify) OV <sup>3</sup> (oval panel) SW <sup>4</sup> (special wording - specify)
ACCESSORIES						
1PK12B (12" blank pendant kit)		1PK24B (24" white pendant kit)				
1PK12BA <sup>2</sup> (12" brushed alum pendant kit)		1PK48B (48" black pendant kit)				
1PK12W (12" white pendant kit)		1PK48W (48" white pendant kit)				
1PK24B (24" black pendant kit)						

NOTE 1: Clear available single face only

NOTE 2: Consult factory for alternate lengths

NOTE 3: Only available for standard Cyclone

NOTE 4 SWCT & SWHE panels are available; see page 3 for dimensions, consult factory

## ■ electrical

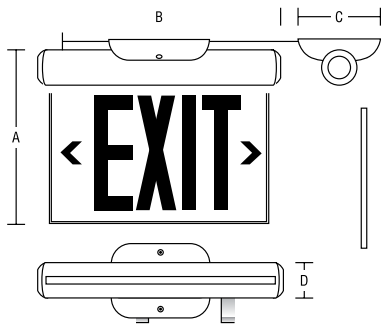
**BATTERY:** The **CYCLONE SA** is designed with a maintenance free, Nickel-Cadmium battery providing a minimum emergency duration of 90 minutes. Recharge time of the battery is twenty-four (24) hours. The battery operating is from re is 10°C. to 40°C.

**CIRCUIT:** The **CYCLONE** is configured with high output, high efficiency LEDs. Standard with 120/277V input. All LED versions consume 2W or less nominal power.

## ■ mechanical

The **CYCLONE** series of cylindrical designed edgelit exit signs feature a radical, high-tech look. The design lends cutting edge technology and style to today's modern interior exit sign applications. The one-piece cylindrical housing is extremely rigid and holds all of the LED circuitry in precision formed mounting channels. The indirect LED illumination lights the acrylic face with crisp, even light. The clear area of the ultra thin face plate virtually disappears once installed. The choice of clear, white, mirrored or self-luminous backgrounds allow the **CYCLONE** to be best matched to the decor. A wide variety of finishes and mounting configurations available will ensure that the **CYCLONE** can be suited to your installation.

## ■ dimensions (in,mm)



Series	A	B	C	D
CYC	9"	12.5"	4.5"	2"
(wall/ceiling)	229 mm	318 mm	114 mm	51 mm
CYC (end)	N/A	14.5"	N/A	2"
	N/A	368 mm	N/A	51 mm

## ■ self-powered versions

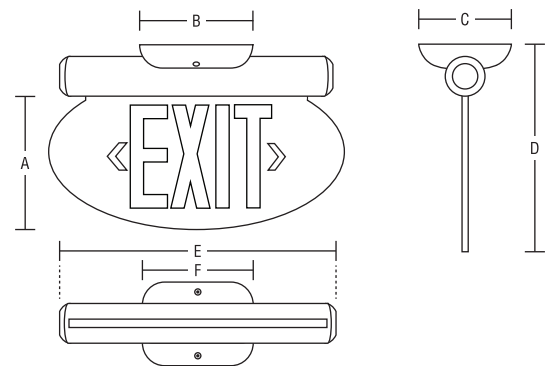
The **CYCLONE SA** is designed to operate on battery power in the event of a power failure. Both the battery and charger are completely contained within the standard enclosure. There are no external componenets and no alterations made to the external dimensions of the standard sign. The **CYCLONE SA** utilizes a solid state transformer that eliminates the possibility of relay failure due to particle build up on the relay. Status is easily determined via an LED that indicates AC-ON. A push button test switch allows maintenance personnel to quickly confirm the operational status of the exit on AC fail.

## ■ autotest

The **CYCLONE** autotest option for SA models automatically performs one 5 minute discharge test monthly and every 6 months it performs two 90 minute discharge tests, 48 hours apart. This tests both full battery capacity and recharge capability, as required by the fire code.

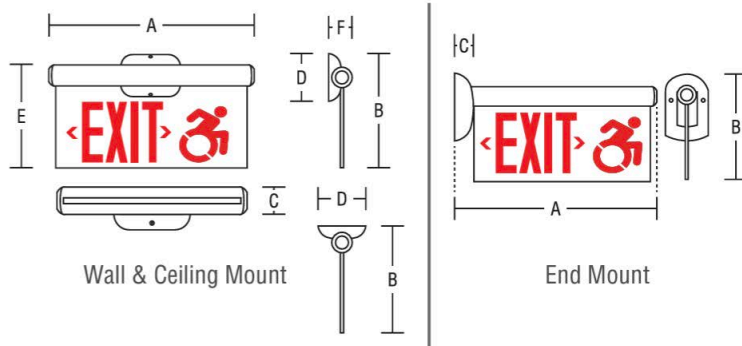
## ■ warranty

The **CYCLONE** comes with a 5-year factory warranty. Deliberate image, misuse, improper installation effectively cancel the warranty. Find complete warranty details online at [beghelliusa.com](http://beghelliusa.com).



Panel	A	B	C	D	E	F
OVAL	7.23"	6.76"	4.49"	10.29"	16.04"	12.6"
	183.64mm	171.7mm	114.05mm	261.37mm	407.42mm	320.04mm

■ dimensions (in,mm) - SWCT & SWHE



Series	A	B	C	D	E	F
SWCT/ SWHE wall	18" 457mm	10.75" 274mm	2" 51mm	4.5" 114mm	9" 229mm	4" 102mm
SWCT/ SWHE ceiling	18" 457mm	10.15" 258mm	2" 51mm	4.5" 114mm	9" 229mm	4" 102mm

SWCT Image



SWHE Image

