

LEDLUMINA

TITLE 20 TITLE 24



BS400LEDPLUS - HIGH BAY/ GARAGE LIGHT

- The **LEDLUMINA BS400LEDPLUS** is a high performance, high output, efficient solution that is scalable to your project
- The **LEDLUMINA BS400LEDPLUS** features a quick connect system for easy surface mount installation and stainless steel hardware
- **HOUSING:** High grade die-cast aluminum with gray RAL 7040 powder coat finish
- **DIFFUSER:** Frosted UV stabilized polycarbonate diffuser, providing even light distribution; Reflected light technology efficiently controls glare
- **LUMENS:** LO (80W): 10,110 up to 10,815 lm (EM: 2190 lm, 17W)
MO (100W): 12,225 up to 13,077 lm (EM: 2190 lm, 17W)
- **OPERATING TEMPERATURE:**
HT: -40 to 50°C (-40 to 122°F)
EM: 0 to 50°C (32 to 122°F)
- **OPTIONS:**
 - Remote battery back-up for 90 minutes emergency illumination
 - Logica lighting control options (see Logica Controls section)
 - Surge and fuse protection
- **WEIGHT:** 14 lbs / 6.3 kg



APPLICATION: The **LEDLUMINA BS400LEDPLUS** has been specifically designed for parking garage entrance and exit applications. It's also ideal for other applications including retail stores, industrial installations, warehouses, breezeways, canopies, schools, loading docks, gymnasiums, and arenas. It can be installed both indoor and outdoor.

CERTIFICATIONS

- UL Certified for Wet Locations
- DLC PREMIUM for maximum potential utility rebates
- Complies with CEC Title 20 and Title 24 in California
- IP66
- IK09
- BAA assembly in US

ORDERING INFORMATION

Example: BS400PLUS HT WT40 MO 120-277V EM

MODEL	OPERATION	OUTPUT	COLOR TEMP	INPUT	OPTIONS
BS400LEDPLUS	HT (AC only)	LO	WT30 (3000K)	120-277V	EM ¹ (emergency back-up remote) NOD ³ (integrated node)
		MO	WT40 (4000K)	347/480V	FP (fuse protection - 3A) SP (surge protector - 10kA)
			WT50 (5000K)		IS ^{2,3} (internal occupancy sensor)

CONTROLS & ACCESSORIES (must be ordered separately)

1PKxWBS400 ^{4,5} (single pendant kit, x=length)	EMDCB ³ (BT wireless motion & lux sensor)	RLY ³ (wireless relay)
1SPKxWBS400 ^{4,5} (swivel pendant kit, x=length)	HHRFSIR ⁶ (handheld remote for FSP221)	SW1 ³ (single rocker wall switch)
1XACx ^{4,5} (adjustable aviation cable, x=length)	MLM1 ³ (wireless motion & lux sensor)	TM22BS400 ⁵ (22" height trunnion mount)
4CH48 ^{4,5} (48" chain hang kit, 4 pieces)		

NOTE 1: Title 20 remote mount emergency pack (120-277V, 17W, 2190 lm) for field installation (25ft remote mount wire length)

NOTE 2: IS is std Beghelli sensor, FSP221, Magnum ISM1 and other sensors are available

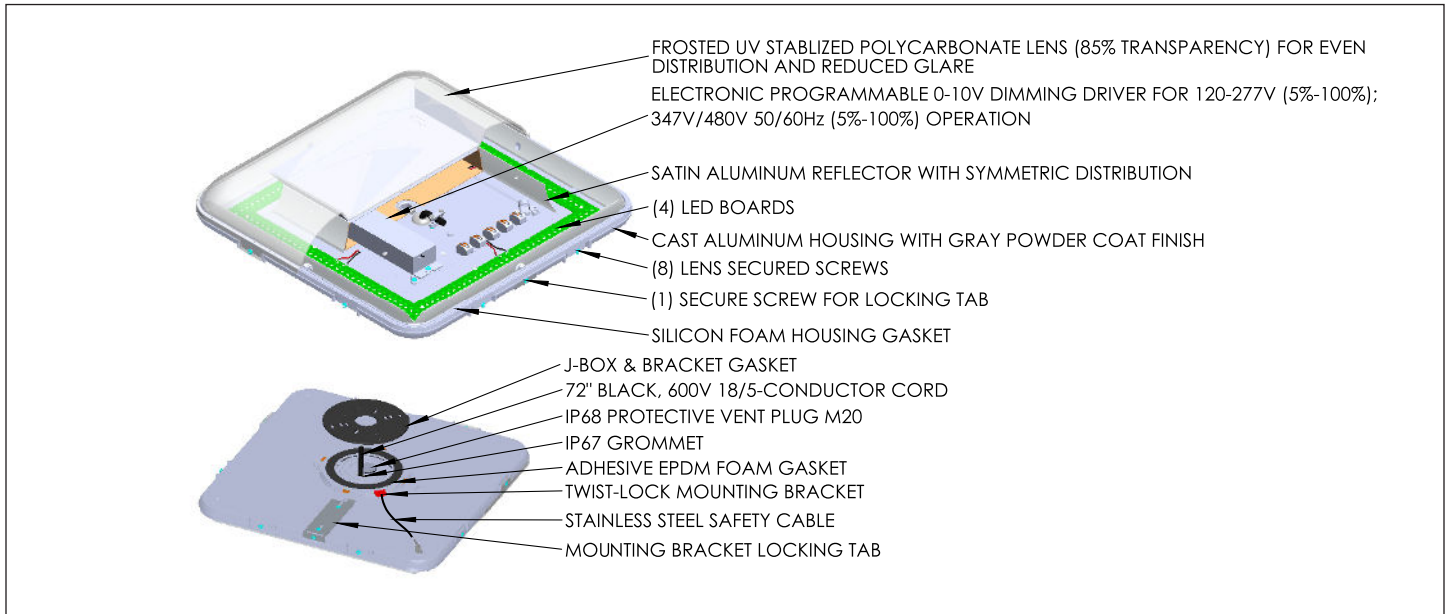
NOTE 3: Beghelli offers wireless and powerless control solutions, contact factory for more details

NOTE 4: Standard pendant lengths "x" = 12 (12"), 24 (24"), and 48 (48")

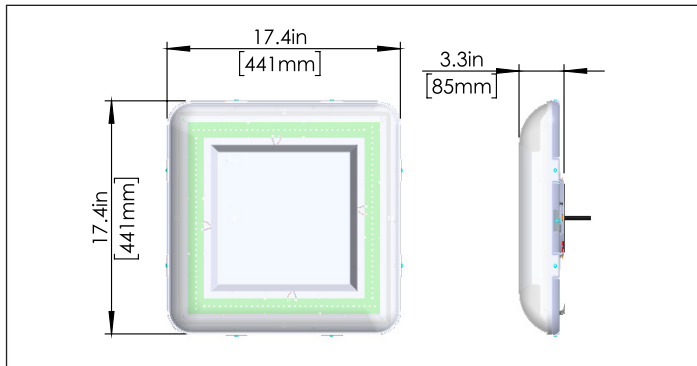
NOTE 5: Consult factory for non-standard lengths

NOTE 6: FSP221 requires HHRFSIR handheld remote accessory

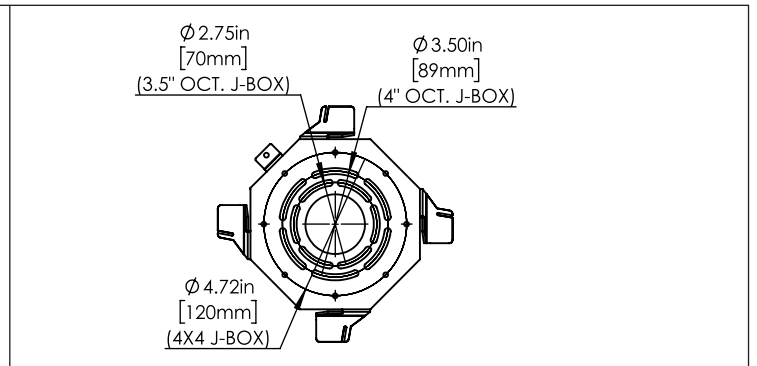
TECHNICAL INFORMATION



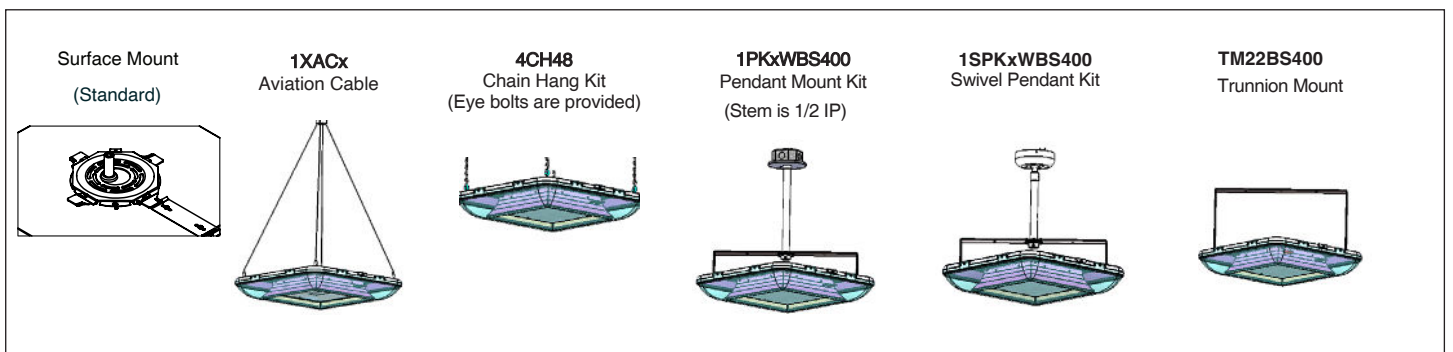
DIMENSIONS



SURFACE MOUNTING (STANDARD WITH BRACKET)



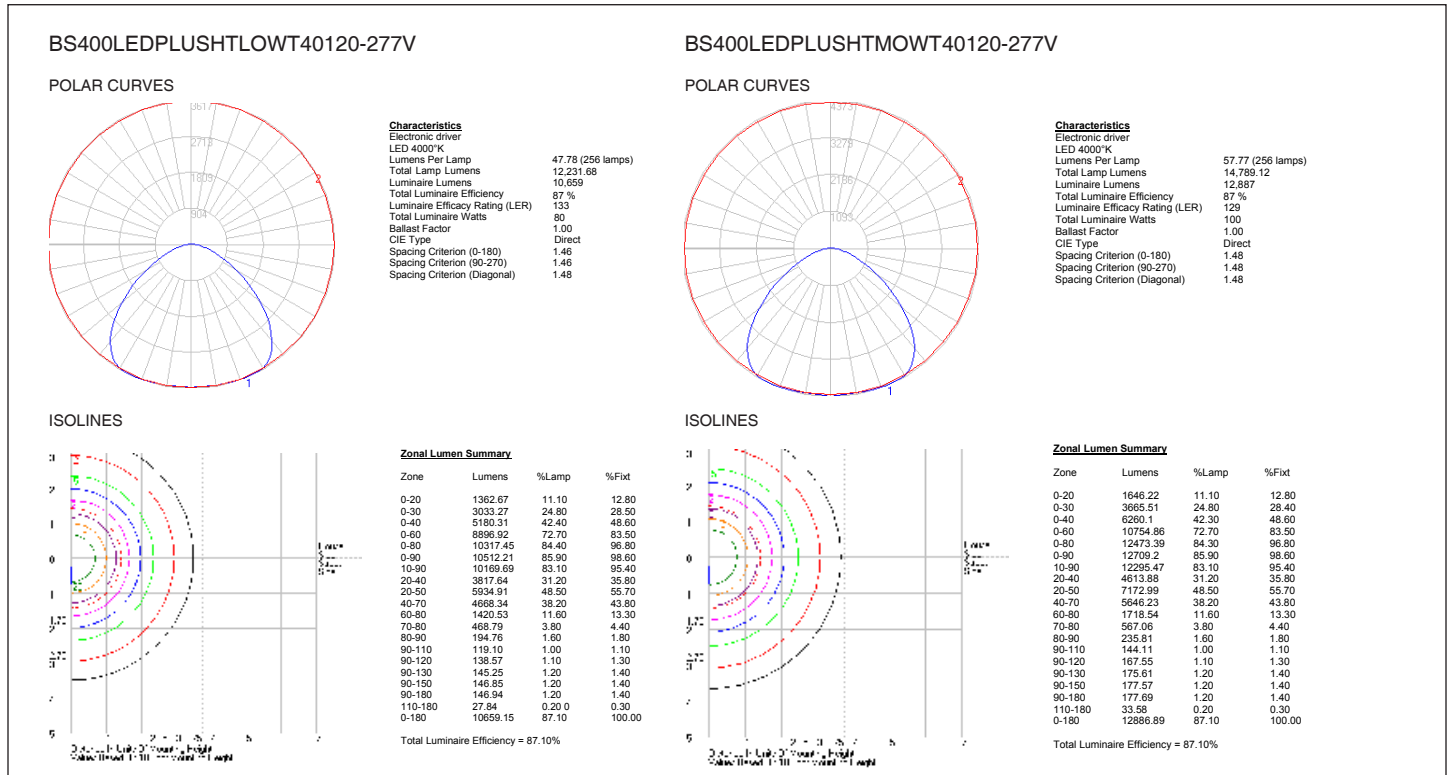
MOUNTING OPTIONS



LEDLUMINA BS400LEDPLUS

ADDITIONAL INFORMATION

PHOTOMETRICS



ENERGY CHART

MODEL	EFFICACY	CONSUMPTION WATTAGE	LUMEN OUTPUT (+/-5)	CRI	L70 (HRS) REPORTED/ PROJECTED
BS400LEDPLUS-HT-LO-WT30-120-277V	126 LPW	80W	10110 LM	>80	>60,000/ 100,000
BS400LEDPLUS-HT-LO-WT40-120-277V	133 LPW	80W	10659 LM	>80	>60,000/ 100,000
BS400LEDPLUS-HT-LO-WT50-120-277V	135 LPW	80W	10815 LM	>80	>60,000/ 100,000
BS400LEDPLUS-HT-MO-WT30-120-277V	122 LPW	100W	12225 LM	>80	>60,000/ 100,000
BS400LEDPLUS-HT-MO-WT40-120-277V	129 LPW	100W	12887 LM	>80	>60,000/ 100,000
BS400LEDPLUS-HT-MO-WT50-120-277V	131 LPW	100W	13077 LM	>80	>60,000/ 100,000

ELECTRICAL RATING

PRODUCT	NOMINAL POWER (W)	AC CURRENT (A)		FREQUENCY (HZ)	DC VOLTAGE (V)	DC CURRENT (MA)
		AC VOLTAGE 120V	AC VOLTAGE 277V			
BS400LEDPLUS HT LO	80	0.68	0.29	50/60	44	1.6
BS400LEDPLUS HT MO	100	0.85	0.37	50/60	44	2.0

DIMMER COMPATIBILITY

DIMMER	COMPATABILITY	
	ON / OFF	DIMMING
LEVITON - AWRMG-7	YES	YES
LUTRON - DIVA DVSTV	YES	YES

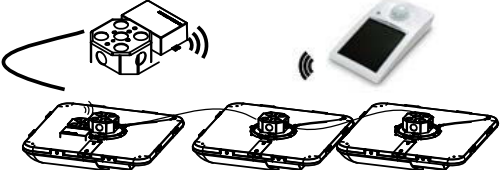


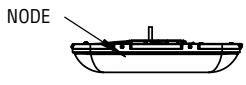


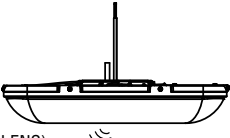

■ **WARRANTY:** 5 years, see website for full warranty details.

ELECTRICAL RATING

DIMMER COMPATIBILITY

PRODUCT	NOMINAL POWER (W)	AC CURRENT (A)		FREQUENCY (HZ)	DC VOLTAGE (V)	DC CURRENT (MA)	DIMMER	COMPATABILITY	
		120V	277V					ON / OFF	DIMMING
BS400LEDPLUS HT LO	80	0.68	0.29	50/60	44	1.6	LEVITON - AWRMG-7	YES	YES
BS400LEDPLUS HT MO	100	0.85	0.37	50/60	44	2.0	LUTRON - DIVA DVSTV	YES	YES

BEGHELLI LIGHTING CONTROL SOLUTIONS

DAISY CHAIN FIXTURES (RELAY)			INTEGRATED NODE (NOD)			
<p>RLY* Wireless Relay (Damp Location)</p> 	<p>EMDCB* Remote Sensor (Damp Location)</p> 	<p>SW1* Single Switch (Damp Location)</p> 	<p>NOD* Node</p> 	<p>EMDCB* Remote Sensor (Damp Location)</p> 	<p>SW1* Single Switch (Damp Location)</p> 	
INTERNAL NODE & SENSOR (IS)						
<p>IS (Beghelli standard) (Wet Location)</p>  <p>(ON LENS)</p> <p>Internal occ sensor options: ISM1*, FSP221, etc.</p>			<p>SW1* Single Switch (Damp Location)</p> 			<p>DEFAULT SETTING:</p> <ul style="list-style-type: none"> • 100% @ Occupied • 50% After 30 minutes without occupation • OFF after an additional 30 minutes without occupation

* Magnum control options also available (RLYM1 relay, SW1M1 switch, NODM1 node and ISM1 sensor)
 ** Beghelli offers wired and wireless control solutions. Beghelli fixtures are compatible with most control solutions available in the market. Consult factory for more details.