

BRAVADO™ HZ



Project: _____

Type: _____

Model: _____

Date: _____



internal

The **BRAVADO HZ** comes standard with 120/277/347V input and is designed to perform in applications where the environment would punish any other unit. Lead acid battery is standard, Ni-Cd optional, provides a minimum emergency duration of 90 minutes. The solid state, high efficiency, dual rate charger provides precise float voltage control and low voltage disconnect protection.

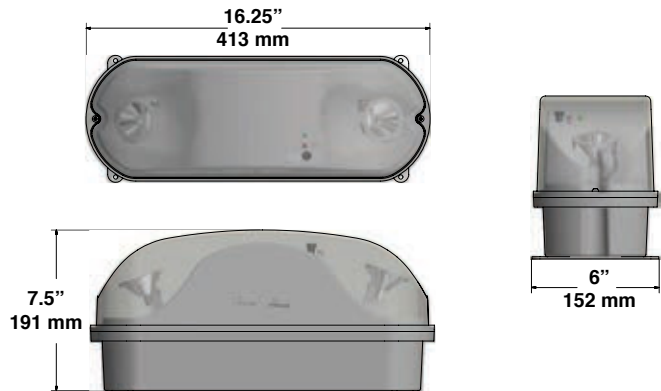
external

The **BRAVADO HZ** series is constructed from .10" thick, heavy duty cast aluminum. Tamper resistant screws are standard and ensure the integrity of the battery unit. The **BRAVADO** series comes standard in an industrial gray color. The **BRAVADO** comes standard with an LED status indicator and test switch under the lens. The lens is constructed from a vandal resistant polycarbonate for maximum durability. Offered with fully adjustable, high output MR16 LED lamps. Universal mounting pattern and key hole slots are cast into the backplate. Stainless steel mounting straps are supplied for surface mounting.

hazardous rating

The **BRAVADO HZ** series is approved for use in Class I Division 2, Groups ABCD, Class II Divisions 1 & 2, Groups EFG: T codes T4A or T1.

dimensions



ordering information

EXAMPLE: BRVHZ 1242 2MR167WLED AT NC

Series	Operation	Pb-A (Capacity)	Ni-Cd (Capacity)	Lamp Type	Options
BRVHZ	6 (6V)	12 (6V)	22 (6V)	2MR162WLED (12V only)	AM ¹ (ammeter)
	12 (12V)	18 (6V)	42 (6V, 12V)	2MR165WLED	AT ² (autotest)
		27 (6V, 12V)		2MR167WLED	BZ (buzzer)
WIREGUARD ACCESSORIES		36 (6V, 12V)			FAI ^{1,3} (fire alarm interface)
BPG6 (20" x 17" x 12")		60 (6V, 12V)			NC ⁴ (nickel-cadmium battery)
WG9DX20LX19W (20" x 19" x 9")					TD ⁵ (time delay)
					VM ¹ (voltmeter)

NOTE 1: Only available in units 36W and under

NOTE 2: Includes an automatic time delay function, specify 0, 5, 10 or 20 mins

NOTE 3: Specify type of fire alarm signal: open, normally closed or 6, 12, 24VDC (specify voltage used)

NOTE 4: Nickel-cadmium battery (select wattage/voltage from Ni-Cd column)

NOTE 5: Must specify input voltage and time delay: 5, 10, 20 mins (10 mins std)

■ electrical

BATTERY: The **BRAVADO HZ** is designed with a maintenance free, sealed valve regulated lead acid battery that provides a minimum emergency duration of 90 minutes. Recharge time of the battery is less than forty-eight [48] hours. An optional Nickel-Cadmium battery is available. The maximum battery operating temperature is +40°C and the minimum is +10°C.

CIRCUIT: The **BRAVADO HZ** utilizes a high-efficiency two stage charger providing precise float voltage control with low voltage disconnect protection. All components used in the circuitry are temperature compensated. The charger also has brownout and short circuit protection. Charger status is easily determined via a dual diagnostic LED display which indicates AC/ON and high charge. A magnetic test switch allows maintenance personnel to quickly determine the operational status of the unit and lamp load.

■ mechanical

The **BRAVADO HZ** is constructed from a durable, fully gasketed die-cast aluminum housing rated for NEMA 4X and IP66. Stainless steel mounting straps are supplied for surface mounting. These connectors allow for a large gauge of wire to be used, increasing the flexibility of installation. The **BRAVADO HZ** is supplied standard in a durable gray powder coat finish. CSA 22.2 No. 141 Performance Certified.

■ autotest

The Beghelli Autotest automatically initiates a five minute discharge/diagnostic test every month and two 90-minute discharge/diagnostic tests every 6 months. Forty-eight (48) hours following the first 6 month test, the unit retests again to ensure that the charger has completely recharged the battery. This tests both full battery capacity and recharge capability. The information is communicated simply and intuitively to maintenance personnel via a single multi-color LED. The **BRAVADO HZ** autotest option includes an automatic time delay function to allow for a building's HID lighting to "warm up". Specify 0, 5, 10 or 20 minutes.

- Red: Battery or Circuit Malfunction
- Yellow: Lamp Malfunctioning
- Green: Normal Operation

■ lamp selection

	6V	12V
MR16 LED	5, 7W	2, 5, 7W

■ model rating guide

	Voltage	Wattage			
		90min	120min	180min	240min
BRVHZ 612	6	12	9	6	4
BRVHZ 618	6	18	13	9	6
BRVHZ 622 NC	6	22	16	11	8
BRVHZ 627	6	27	20	13	10
BRVHZ 636	6	36	27	18	13
BRVHZ 642 NC	6	42	31	21	15
BRVHZ 660 ^[1]	6	60	45	30	22
BRVHZ 1227	12	27	20	13	10
BRVHZ 1236	12	36	27	18	13
BRVHZ 1242 NC	12	42	31	21	15
BRVHZ 1260 ^[1]	12	60	45	30	22

Note [1]: Not available with all options.

■ temperature codes

Temperature Codes Class 1, Div. 2	
LAMP	7W LED max
T Code	T4A

Temperature Codes Class 2, Div. 1 & 2	
LAMP	7W LED max
T Code	T4A

■ sanitation listed (SL)

The **BRAVADO HZ** is sanitation approved. The Intertek verified splash zone listing is equivalent to the NSF Standard 2, meeting the rigorous sanitation, electrical safety and performance standards of food service environments.

■ warranty

The **BRAVADO HZ** comes with a 3-year factory warranty. Lamps are not covered under the warranty. Deliberate damage, misuse, improper installation effectively cancel the warranty. Find complete warranty details on-line at beghelliusa.com.