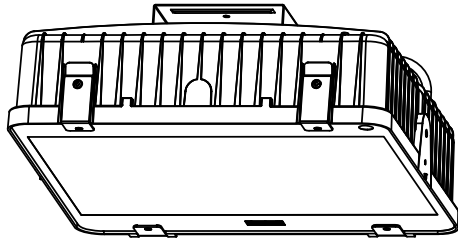
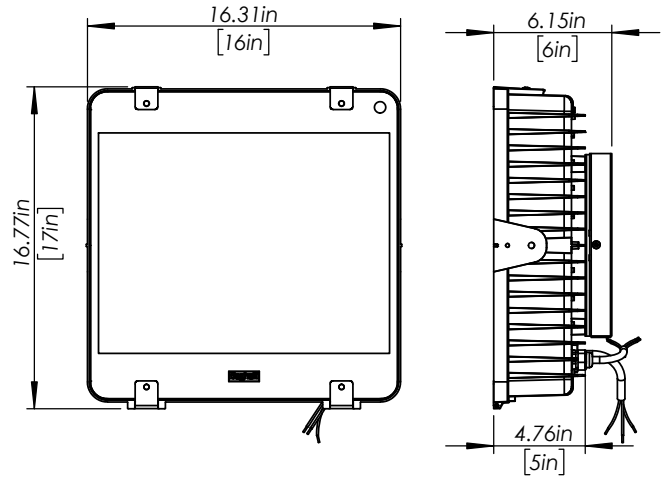


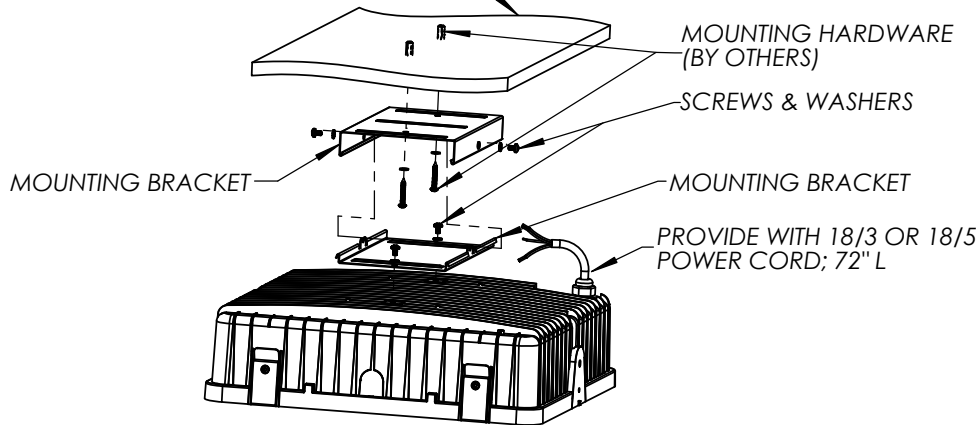
BOXLED BL736 LED LO/HO

WATTAGE	150W/230W
VOLTAGE	120-277V/ 347V/480V (50/60Hz)
WET LOCATION	YES
OPERATION	HT (AC ONLY)/0-10V DIMMING
AMBIENT TEMPERATURE	-30°C(22°F)/40°C(104°F)
WEIGHT	17 lbs
DIMMENSION	16.8" L X 16.3" W X 6.3" H



- CAUTION ! ALWAYS MAKE SURE THE POWER IS TURNED OFF** before starting the installation
- Measure, locate fixture's position, and mark locations for the brackets.
- Secure brackets to ceiling as shown below. (HARDWARE BY OTHERS)
- Wiring fixture to power supply, shall be performed by a **certified electrician**, and wired in a manner that complies with all **local and national electrical codes**, as well as the **manufacturer's wiring diagram**.

CEILING (CEILING'S STRUCTURE SHALL BE ADEQUATE TO SUPPORT THE WEIGHT OF FIXTURE)



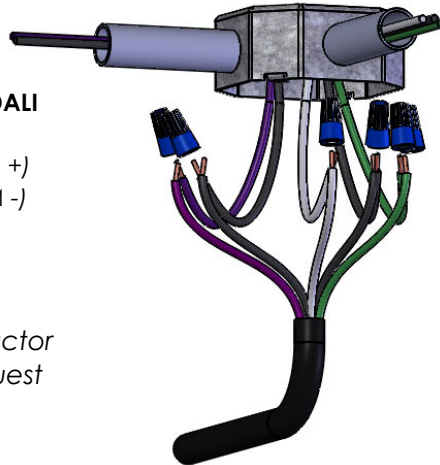
- 0-10V DIMMING WIRES MUST BE RUN FROM A DIFFERENT CONDUIT OUT OF THE J-BOX

0-10V LEAD / DALI

VIOLET.....(DIM +)
GRAY.....(DIM -)

AC LEADS

BLACK..... (HOT)
WHITE.....(NEUTRAL)
GREEN..... (GROUND)



NOTE:

- For non-dimming 3-conductor cord is available upon request

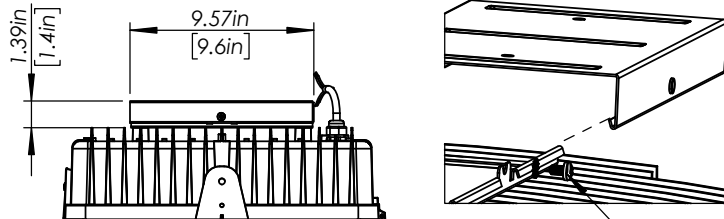
BEGHELLI USA

3810 Executive Way
Miramar, Florida 33025, USA
Tel: (954) 442-6600

BEGHELLI MÉXICO

Av. del Marqués No. 70 Int.4. Parque Industrial Bernardo Quintana
CP.76246 El Marqués, Qro, México
Tel: 1 52 (442) 221.62.15/221.64.39

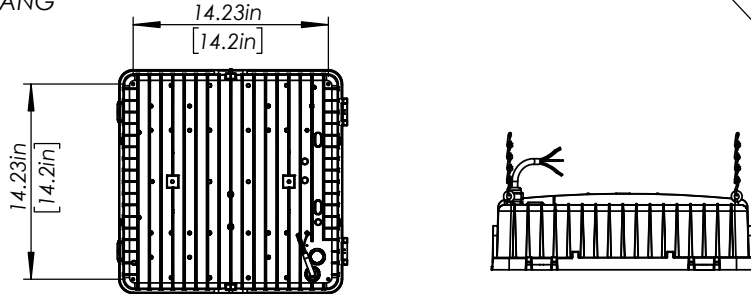
SM - SURFACE MOUNT



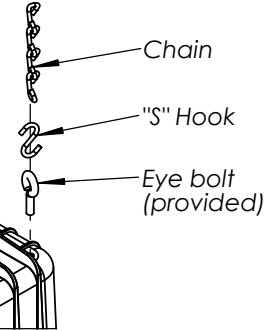
Bracket Installation Detail

1. Slide the bracket to engage the flanges until it stops
2. Secure the bracket with provided screws

CH - CHAIN HANG

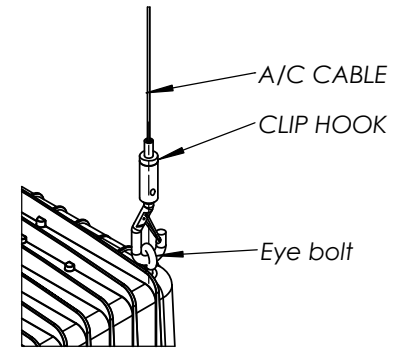
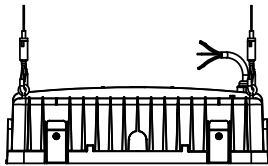


Locking screw



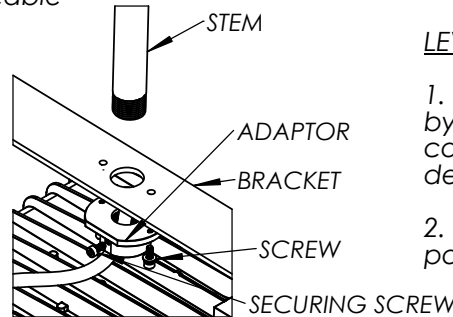
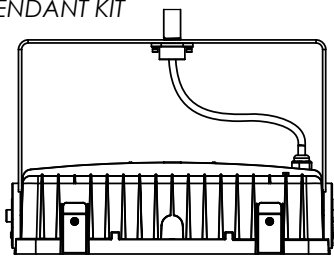
1. Screw the eye bolts into the housing as shown.
2. Hook the chain and the eye bolt together using provided "S" hook
3. Close all "S" hooks

AC - AVIATION CABLE



1. Screw the eye bolts into the housing as shown.
2. Hook the Clip Hook on the eye bolt; insert cable thru Clip-Hook gripper
3. Push the sleeve to adjust cable

PK - PENDANT KIT

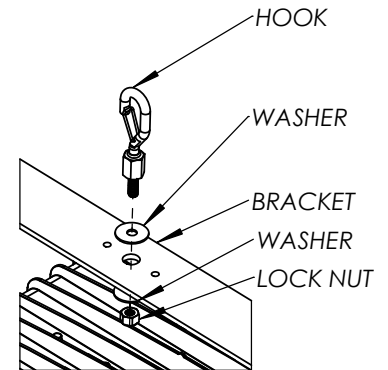
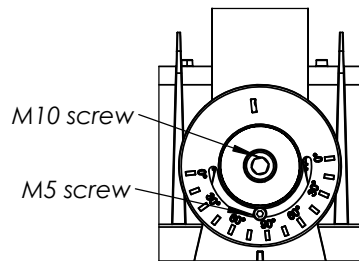
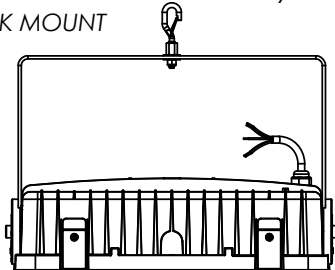


LEVELING FOR STEM & HOOK MOUNTING :

1. Loosen screw M10 and adjust the angle by pushing the bracket toward the power cord side of the fixture (approximately 7-8 degree)
2. Retighten the M10 screw and lock the position up with M5 screw.

1. Refer to Pivot mounting bracket for detail to install bracket.
2. Attach Stem Adaptor to Bracket with provided Screws & Washers as shown.
3. Pass power cord thru the assembly and stem.
4. Attach Stem to assembly & secure it with Screw as shown above.

HK - HOOK MOUNT



1. Refer to Pivot mounting bracket for detail to install bracket
2. Attach hook to bracket with provided washer & lock nut as shown.

BEGHELLI USA

3810 Executive Way
Miramar, Florida 33025, USA
Tel: (954) 442-6600

BEGHELLI MÉXICO

Av. del Marqués No. 70 Int.4. Parque Industrial Bernardo Quintana
CP.76246 El Marqués, Qro, México
Tel: 1 52 (442) 221.62.15/221.64.39