

PACO REMOTE (PR)



Remotes

Job/Location: _____	Job Type: _____
Contractor: _____	Date: _____
Prepared By: _____	



PR 1



PR 2



PR 1 WP

■ paco - high output led remote heads

The **PACO PR**, fully adjustable remote heads deliver high output from 12 LEDs per lamp head. For use as part of an emergency lighting system to provide light for path of egress. Weather-proof version is sealed for use in damp and wet location areas.

PR1 & -2 compatible with Beghelli Paco PX exit, Paco PCH combo, Paco PEH 1 unit, and Paco PEH T20 unit only.

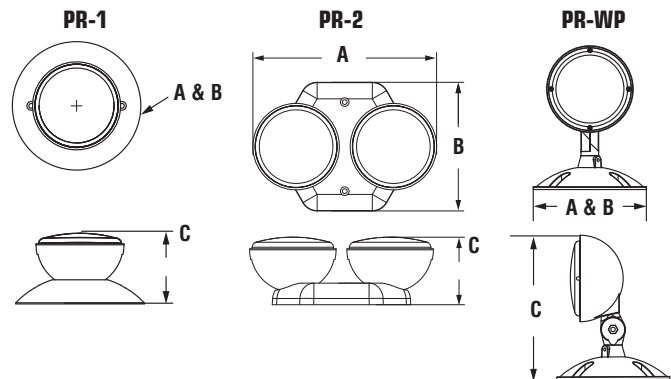
PR 1/2 WP compatible with Beghelli Paco PX exit, Paco PCH combo, Paco PEH 1 unit, Paco Aqua exit, and Paco Aqua combo only.

■ electrical

Powered from low voltage power source (3.6V batteries). Low voltage wiring not provided. Max wattage: PR1: 0.6W, PR2: 1.22W, PR1 WP: 1.17W and PR2 WP: 2.34W

The operating temperature is from 68°F up to 86°F. (20°C to 30°C).

■ dimensions (in,mm.)



Series	A	B	C
PR 1	4.6" 116mm	4.6" 116mm	2.5" 63mm
PR 2	6.7" 179mm	4.7" 119mm	2.5" 63mm
PR 1 WP	4.5" 116mm	4.5" 116mm	5.8" 147mm

■ models available

Models	
PR1 (single head)	PR2 (double head)
PR1 WP (single head, weatherproof)	PR2 WP double head, weatherproof)
PR1 WP B (single head, weatherproof, black)	PR2 WP B (double head, weatherproof, black)