

CYCLONE ECO



Indoor Architectural Exit

Project: _____	Type: _____
Model: _____	Date: _____



internal

The **CYCLONE ECO** comes standard configured with high-output white LEDs and 120/277VAC (60Hz) input. The **CYCLONE ECO SA** (self-powered) model features nickel-cadmium batteries that provide a minimum of 90 minutes emergency duration. Solid state charger & transfer.

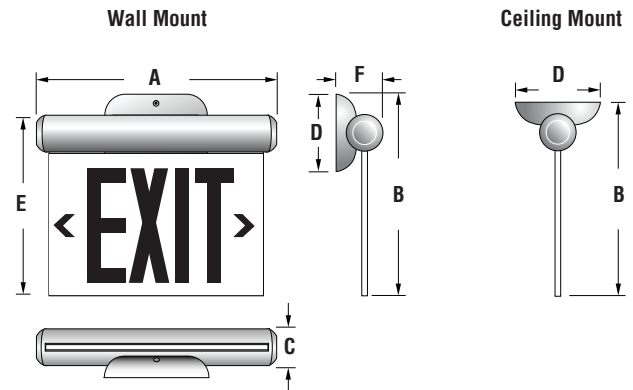
external

The **CYCLONE ECO** series ABS plastic cylindrical housing is constructed as a single piece. The high clarity faceplate can be field configured as single or double face. White finish is standard on all versions. External test switch (SA) and monitor LED are standard.

universal design

The **CYCLONE ECO** features a contemporary, clean design ideal for indoor applications. The one-piece cylindrical body holds all of the LED circuitry in mounting channels. The indirect LED illumination provided by this design evenly lights the faceplate. The **CYCLONE ECO** is an affordable solution that comes standard with single and double face panels in red and green. Field installable chevrons are standard. All of these features make the **CYCLONE ECO** easy to specify and stock. The **CYCLONE ECO** is an economical solution ideal for distributor shelves and last minute jobs.

dimensions (in, mm.)



Model	A	B	C	D	E	F
Wall	12.6"	10.63"	2"	4.33"	9.53"	3.15"
	320mm	270mm	51mm	110mm	242mm	80mm
Ceiling	12.6"	10.63"	2"	4.33"	9.53"	N/A
	320mm	270mm	51mm	110mm	242mm	

ordering logic

EXAMPLE: CYC ECO SA LU WCS 120/277V

Series	Operation	LED/ Face No. ¹	Mounting ² (Surface)	Input
CYC-ECO	HT (AC only) SA (Self-powered)	LU (white LED, single & double faces)	WCS (wall/ceiling surface)	120/277V

NOTE 1: Red and green LED panels are included in the product box. For double faces, a white insert is standard. Clear panel color is standard.
NOTE 2: Surface wall and ceiling mount are standard.

■ mechanical

The **CYCLONE ECO** cylindrical housing is constructed of smooth white ABS plastic. All mounting channels are extruded with the housing at the time of manufacture, adding to the rigidity of the sign. The **CYCLONE ECO** canopy is attached to the housing at the factory.

■ battery

The **CYCLONE ECO SA** version is designed with a maintenance free, rechargeable nickel cadmium (Ni-Cd) battery providing a minimum emergency duration of 90 minutes. Recharge time of the battery is twenty four [24] hours. Operating temperature is from 32°F up to 104°F (0°C to 40°C).

■ electrical

The **CYCLONE ECO** series is configured with high-output white LEDs. Standard with 120/277VAC (60Hz) input. Total consumption is less than 3W nominal power.

■ performance

Power (W)	Recharge Time	Others
2.6 W	24 Hours	AC: 0.02 A / 2.6W / 120V DC: 110 mA / 0.44W / 3.6V
Battery Specifications: 3.6V maintenance-free, rechargeable Ni-Cd battery. Solid state charger & transfer.		

■ installation

The **CYCLONE ECO** is suitable for wall & ceiling mounting (includes sloped ceiling). Suitable for indoor & damp installations.

■ self powered versions

The **CYCLONE ECO SA** self-powered series is designed to operate on battery power in the event of a power failure. Both the battery and charger are completely contained within the standard enclosure. There are no external components and no alterations made to the external dimensions of the standard sign. The **CYCLONE ECO SA** utilizes a solid state transfer technology that eliminates the possibility of relay failure due to particle build up on the relay. Status is easily determined via an LED that indicates AC-ON. A push button test switch allows maintenance personnel to quickly confirm the operational status of the exit on AC fail.

■ warranty

The **CYCLONE ECO** comes with a 2 year factory warranty. Deliberate image, misuse, & improper installation effectively cancel the warranty.