

# CASTEX 310



## HAZARDOUS

■ The **CASTEX 310** is a hazardous location luminaire rated for use in:

- Class I, Division 1, Groups C, D
- Class I, Division 2, Groups A, B, C, D
- Class II, Division 1, Groups E, F, G
- Class II, Division 2, Groups F, G
- Class III
- Class I, Zone 1, Group IIB
- Class II, Zone 21, Group IIIC
- UL1598 (Wet Location) & UL1598A (Marine)
- Temperature Code: T4

■ **MOUNTING:** Adjustable surface ceiling/ wall mount bracket standard

■ **HOUSING:** Die-cast, 6mm thick ADC12 aluminum alloy body with marine grade RAL7040 powder coat finish

■ **COLOR TEMPERATURE:** 5000K standard

■ **DIFFUSER:** 8 mm tempered glass, wide distribution 120° standard

■ **LUMENS:**

- VLO: 60W @ 88" lm
- LO: 80W @ 118" lm
- MO: 100W @ 148" lm (EM: 15W @ 2100 lm)
- HO: 150W @ 21000 lm (EM: 15W @ 2100 lm)
- VHO: 2' "W @ % " " lm

■ **DIMMING:** 0-10VDC dimming standard

■ **OPERATING TEMP:**

- HT (AC Only): -40°F to 140°F (-40°C to 60°C)
- SA (AC & EM): 14°F to 140°F (-10°C to 60°C)



■ **WEIGHT:** 30.9 lbs to 46.3 lbs

■ **APPLICATION:** The **CASTEX 310** is ideal for use in extreme hazardous and corrosive locations such as oil and gas, chemical, marine and food industries. This unit is suitable for high humidity, high dust, high temperature, high wind and high vapor locations.

## ORDERING INFORMATION

Example: HZCAS310HTMODIMWT50120-277V

MODEL	OPERATION	OUTPUT	DIMMING	COLOR TEMP	INPUT	OPTIONS	
HZCAS310	HT (AC only)	VLO	DIM (0-10V dimming)	WT50 <sup>2</sup> (5000K)	120-277V	BAA (Buy American Act)	
	SA <sup>1</sup> (AC & EM)	LO				HV <sup>3</sup>	DLWG <sup>4</sup> (drop lens w/ WG)
		MO				<b>ACCESSORIES</b>	
		HO					
	VHO	HZHK (hook mount)	HZWM25 (25° wall mount)				
						HZJBOX (J-box)	HZWM90 (90° wall mount)

NOTE 1: Integral emergency available in MO & HO outputs only, contact factory for lead time

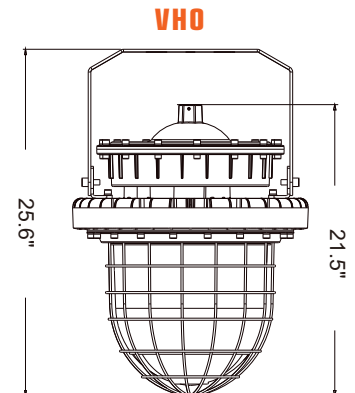
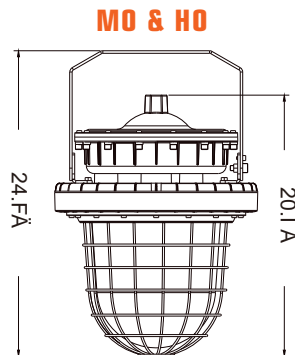
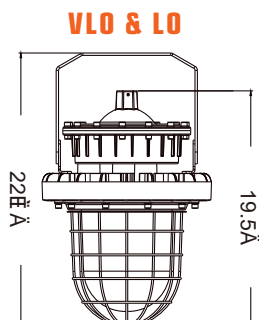
NOTE 2: Other color temperatures available (2700K to 7000K), contact factory for lead time

NOTE 3: High voltage option available (200 to 480V), contact factory for lead time

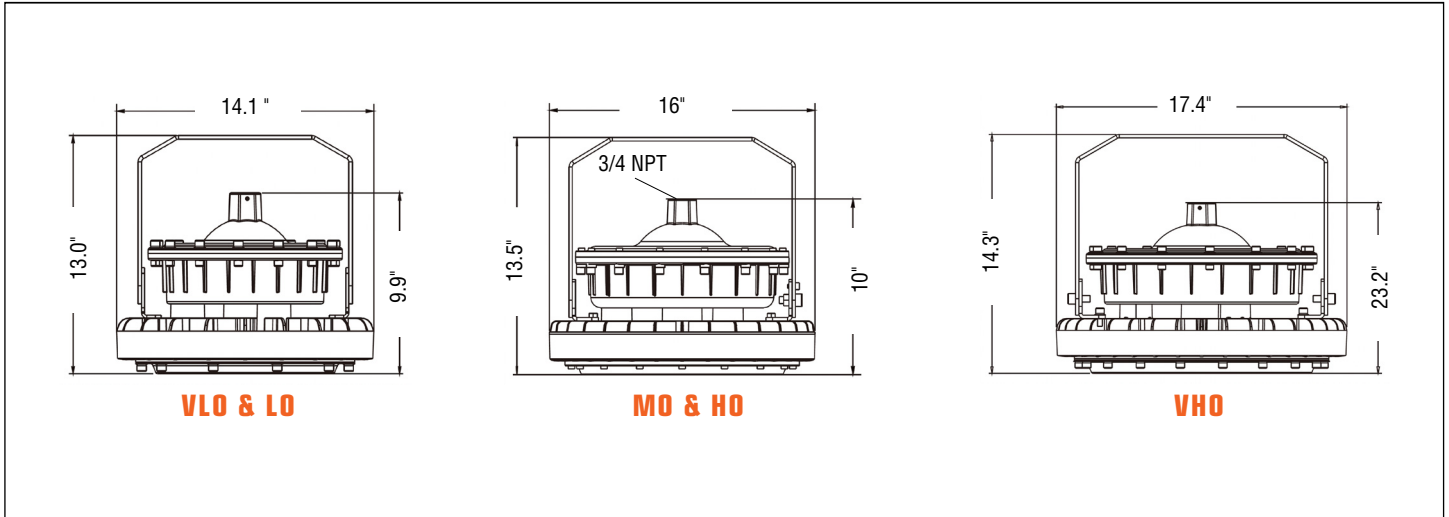
NOTE 4: Standard glass drop lens (PC optional), wire guard is field removable; consult factory for lead time

NOTE: Surface M/W/ Y/ wall mount is standard

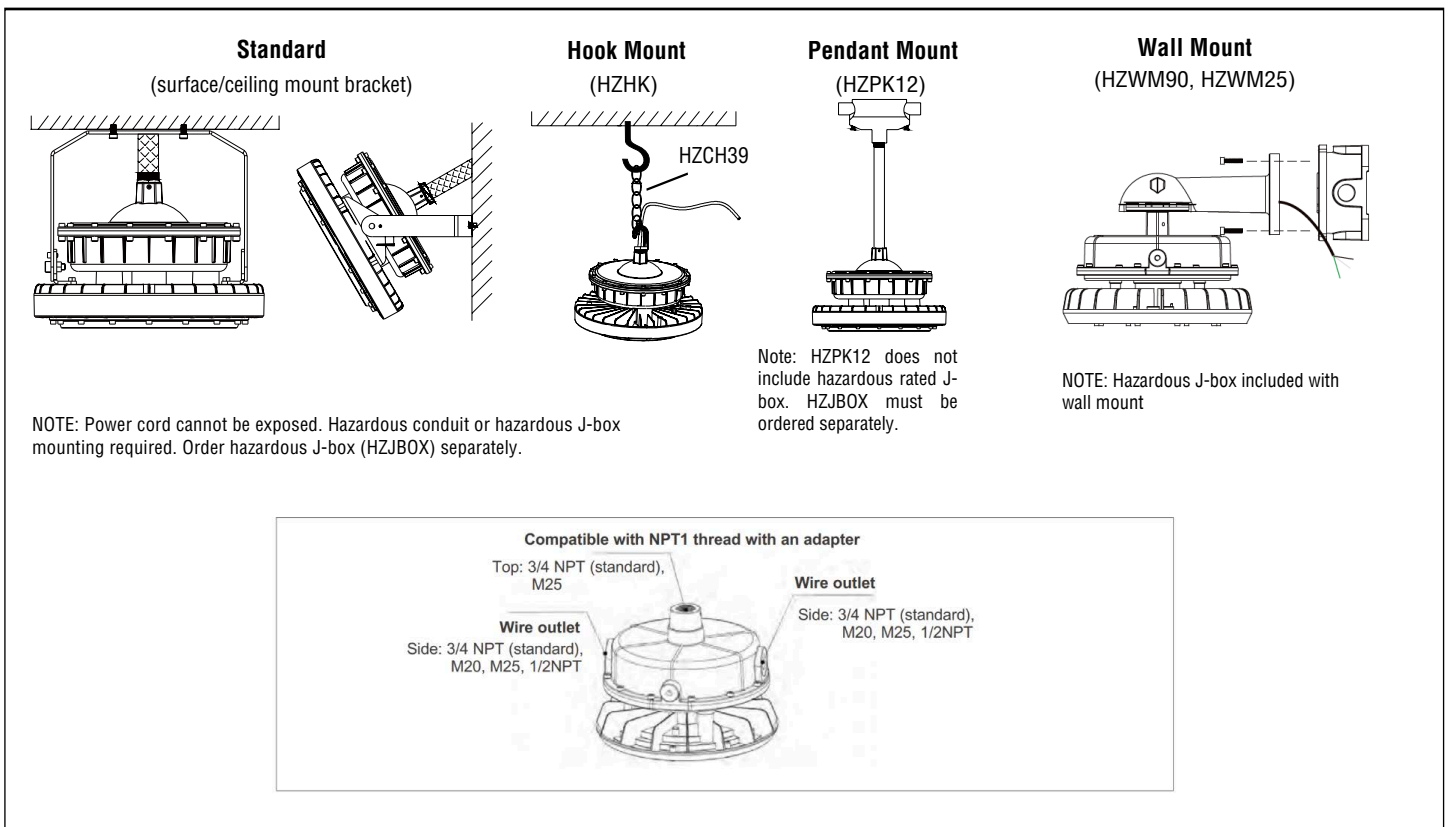
## DROP GLASS LENS & WIRE GUARD OPTION (consult factory)



## DIMENSIONS



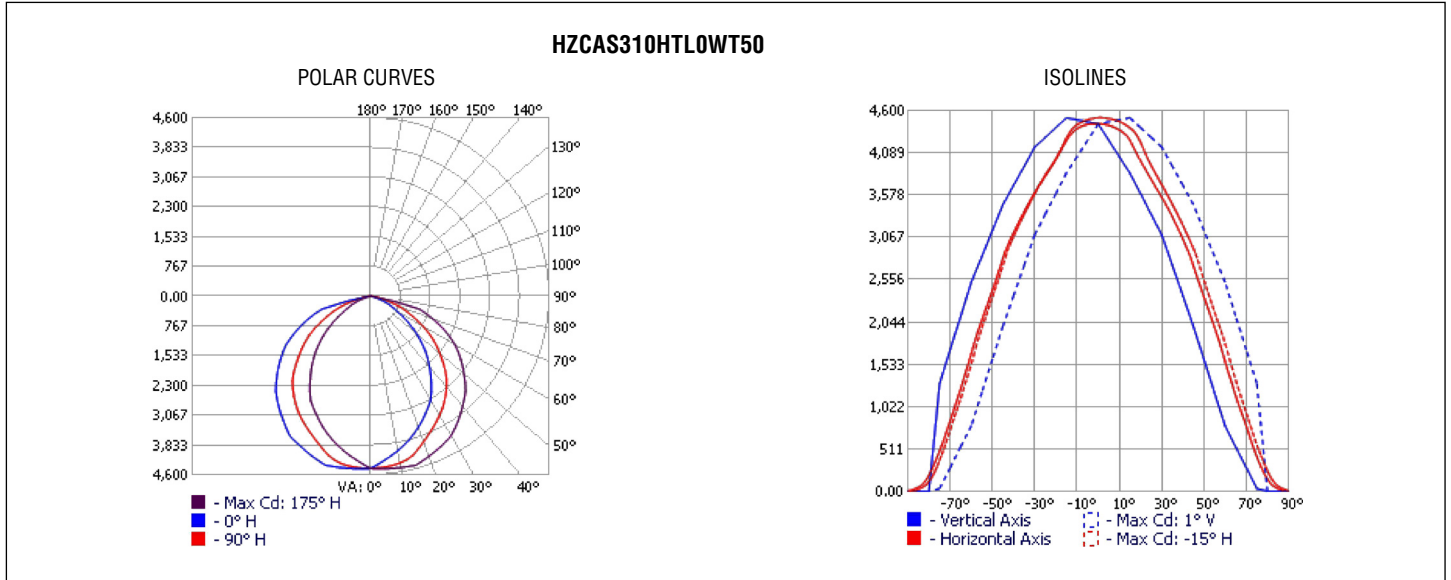
## MOUNTING



# CASTEX 310

ADDITIONAL INFORMATION

## PHOTOMETRICS



## ENERGY CHART

MODEL (5000K CCT)	EFFICACY	CONSUMPTION WATTAGE	LUMEN OUTPUT	CRI	L70 (HRS) @ 55°C
HZCAS310HTVLO	140 LPW	60	8400 lm	>70	>150,000
HZCAS310HTLO	140 LPW	80	11200 lm	>70	>150,000
HZCAS310HTMO	140 LPW	100	14000 lm	>70	>150,000
HZCAS310HTHO	140 LPW	150	21000 lm	>70	>150,000
HZCAS310HTVHO	140 LPW	250	35000 lm	>70	>150,000

## ELECTRICAL RATING

PRODUCT	NOMINAL POWER (W)	AC CURRENT (A) AC VOLTAGE		FREQUENCY (HZ)	DC VOLTAGE (V)	DC CURRENT (MA)
		120 V	277 V			
HZCAS310HTVLO	60	0.51	0.22	50/60	48	1250
HZCAS310HTLO	80	0.68	0.29	50/60	48	1670
HZCAS310HTMO	100	0.85	0.37	50/60	48	2090
HZCAS310HTHO	150	1.28	0.55	50/60	48	3130
HZCAS310HTVHO	245	2.10	0.91	50/60	48	5210

■ **WARRANTY:** 5 years, see website for full warranty details.