

# CASTEX 320



## HAZARDOUS

■ The **CASTEX 320** is a hazardous location luminaire rated for use in:

- Class I, Division 1, Groups C, D
- Class I, Division 2, Groups A, B, C, D
- Class II, Division 1, Groups E, F, G
- Class II, Division 2, Groups F, G
- Class III
- Class I, Zone 1, Group IIB
- Class II, Zone 21, Group IIIC
- UL1598 (Wet Location) & UL1598A (Marine)
- Temperature Code: T4

■ **MOUNTING:** Adjustable surface ceiling/ wall mount bracket standard

■ **HOUSING:** Die-cast, ADC12 aluminum alloy body, 6mm thick, with marine grade RAL7040 powder coat gray finish

■ **DIFFUSER:** 8mm tempered glass, wide 120° distribution standard

■ **COLOR TEMPERATURE:** 5000K standard

■ **LUMENS:**

- VLO: 60W @ 8400 lm (EM: 15W @ 2100 lm)
- LO: 80W @ 11200 lm (EM: 15W @ 2100 lm)
- MO: 100W @ 14000 lm (EM: 15W @ 2100 lm)
- HO: 150W @ 21000 lm (EM: 15W @ 2100 lm)

■ **DIMMING:** 0-10VDC dimming standard

■ **OPERATING TEMP:**

- HT (AC Only) -40°F to 131°F (-40°C to 55°C)
- SA (AC & EM) 14°F to 140°F (-10°C to 55°C)



■ **WEIGHT:** 15.4 to 39.5 lbs

■ **APPLICATION:** The **CASTEX 320** is designed for impact resistance and is ideal for heavy industry such as mining, refineries, chemical, food, paper mills, waste water treatment, coastal marine facilities and corrosive environments.

## ORDERING INFORMATION

Example: HZCAS320HTHODIMWWT50120-277V

MODEL	OPERATION	OUTPUT	DIMMABLE	COLOR TEMP	INPUT	OPTIONS	
HZCAS320	HT (AC only)	VLO	DIM (0-10V dimming)	WT50 <sup>2</sup> (5000K)	120-277V	BAA (Buy American Act)	
	SA <sup>1</sup> (AC & EM)	LO					HV <sup>3</sup>
		MO <sup>1</sup>					
		HO				<b>ACCESSORIES</b>	
						HZJBOX (J-box)	
						HZPK12 (12" pendant stem)	

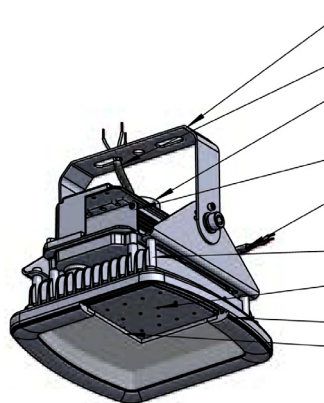
NOTE 1: Consult factory for lead time

NOTE 2: Other color temperatures available (2700K to 7000K), contact factory

NOTE 3: High voltage option available (200 to 480V), contact factory for lead time

NOTE: Surface ceiling/ wall mount is standard

## DIAGRAM



3mm THICK STEEL MOUNTING BRACKET (ADJUSTABLE) WITH GRAY POWDER COAT FINISH IS STANDARD

18/3 - CONDUCTOR POWER CORD (AC INPUT); 6FT IN LENGTH

CAST ALUMINUM DRIVER COMPARTMENT WITH GRAY POWDER COAT FINISH; WITH 3/4 NPT THREADED CONNECTION

ELECTRONIC 0-10V DIMMING DRIVER FOR 120-277V 50/60Hz (10-100%); OPERATION (SYSTEM POWER CONSUMPTION 60-150W)

18/2-CONDUCTOR LOW VOLTAGE CORD (DIMMING); 6FT IN LENGTH

CAST ALUMINUM HEAT SINK WITH GRAY POWDER COAT FINISH

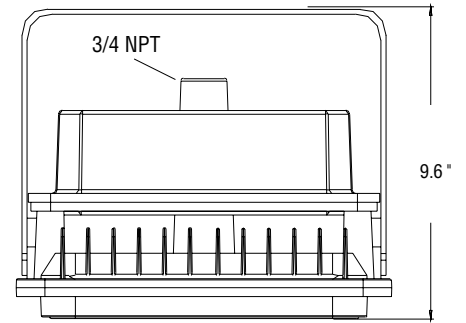
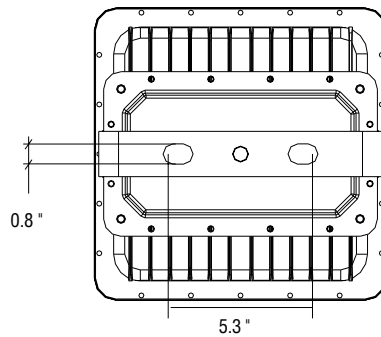
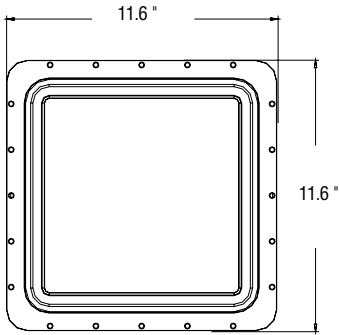
LED CIRCUIT BOARD

TRIM RING WITH SILVER POWDER COAT FINISH

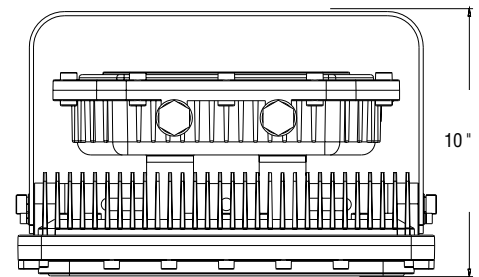
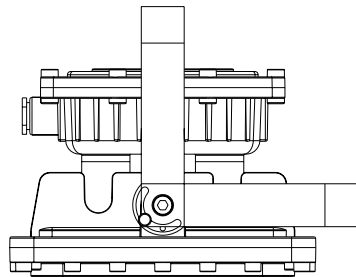
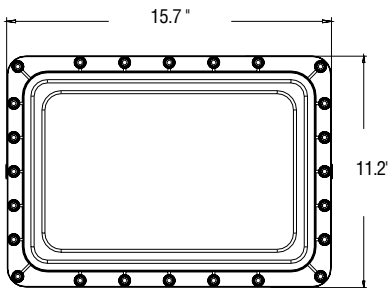
8mm THICK TEMPERED GLASS LENS

## DIMENSIONS

### VLO & LO: SQUARE

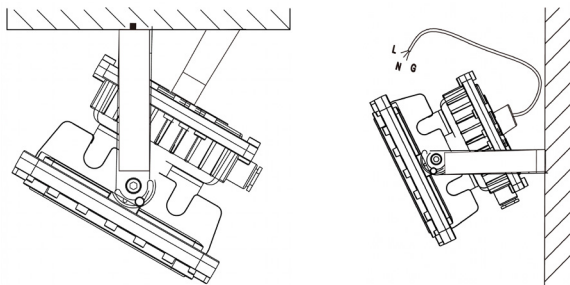


### MO & HO: RECTANGLE

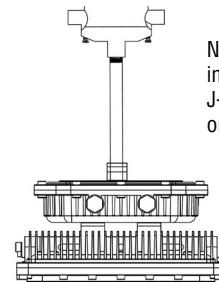


## MOUNTING OPTIONS

**Standard**  
(surface ceiling/ wall mount bracket)  
(Aimable 90° both sides in 22.5° increments)



**Pendant Mount**  
(HZPK12)



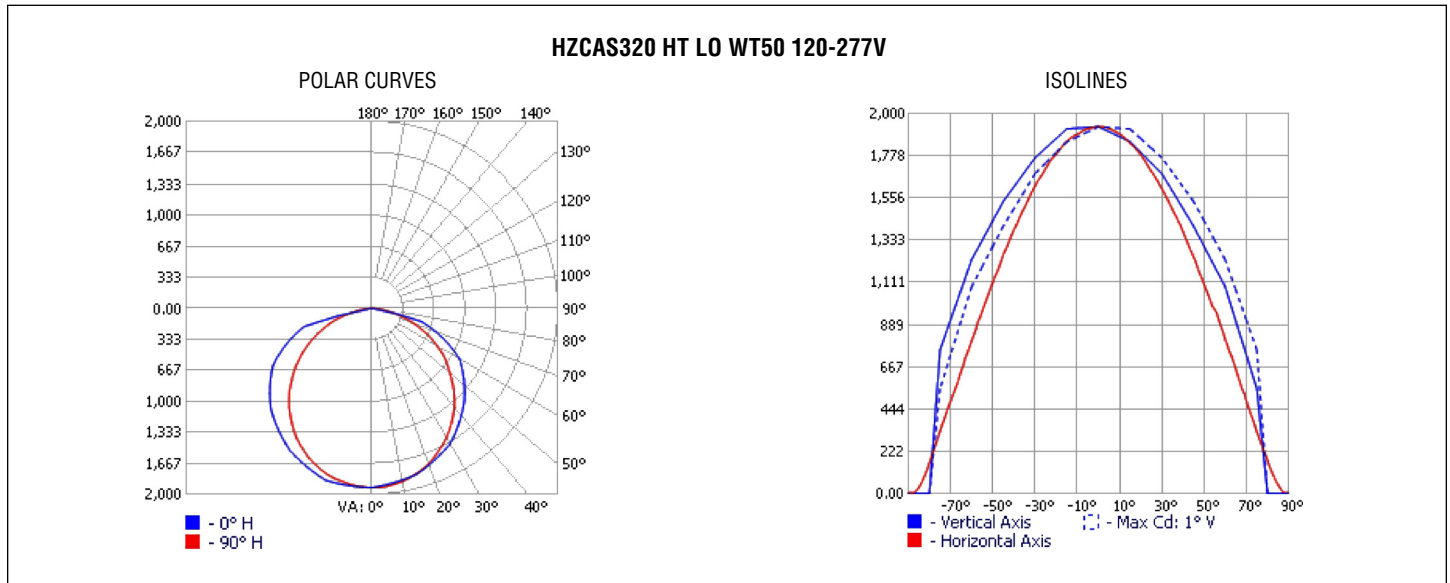
Note: HZPK12 does not include hazardous rated J-box. HZJBOX must be ordered separately.

NOTE: Power cord cannot be exposed. Hazardous conduit or hazardous J-box mounting required.

# CASTEX 320

ADDITIONAL INFORMATION

## PHOTOMETRICS



## ENERGY CHART

MODEL (5000K CCT)	EFFICACY	CONSUMPTION WATTAGE	LUMEN OUTPUT	CRI	L70 (HRS) @ 55°C
HZCAS320 HT VLO	140 LPW	60	8400 lm	>70	>150,000
HZCAS320 HT LO	140 LPW	80	11200 lm	>70	>150,000
HZCAS320 HT MO	140 LPW	100	14000 lm	>70	>150,000
HZCAS320 HT HO	140 LPW	150	21000 lm	>70	>150,000

## ELECTRICAL RATING

PRODUCT	NOMINAL POWER (W)	AC CURRENT (A) AC VOLTAGE		FREQUENCY (HZ)	DC VOLTAGE (V)	DC CURRENT (MA)
		120 V	277 V			
HZCAS320 HT VLO	60	0.51	0.22	50/60	48	1250
HZCAS320 HT LO	80	0.68	0.29	50/60	48	1670
HZCAS320 HT MO	100	0.85	0.37	50/60	48	2090
HZCAS320 HT HO	150	1.28	0.55	50/60	48	3130

## DIMMER COMPATIBILITY

DIMMER	COMPATIBILITY	
	ON/OFF	DIMMING
LEVITON - AWRMG-7	YES	YES
LUTRON - DIVE - DVSTV	YES	YES

■ **WARRANTY:** 5 years, see website for full warranty details.