

# Wireless Single Channel Fixture Controller



## Overview

- 1 Channel 0-10VDC Dimming
- Mounts in Fixture
- Casambi Wireless Bluetooth Mesh
- High-End Trim, Zoning, Continuous Dimming
- 10-22 VDC Load Control Output (active high)
- Active High Output For Relay Drive
- ioXt Alliance Cybersecurity Certification



Suitable For Indoor Use Only

## Applications

The Beghelli **NOD** Wireless Fixture Controller allows for one channel of 0-10 dimming and load control output (active high).

**NOD** is controlled wirelessly via Casambi Mesh technology allowing for wireless dimming of LED lighting. The controller communicates with other devices such as switches and sensors via the wireless mesh network. The device outputs a 0-10V dimming signal to compatible drivers (and controls dim-to-off products) as well as a 10-22VDC control signal (active high). This control signal can be used to control other devices such as power packs. The compact size allows for seamless integration in the fixture.

**NOTE:** These fixture controllers require a separate power pack or they can also operate with a driver that has an auxiliary 12V output.

## Operation

**Casambi Wireless Mesh Controls:** The controller connects to a Low Energy (BLE) wireless mesh network via a mobile app, available as iOS or Android, to allow initial setup and subsequent parameter adjustments.

**User Interface:** Mobile app features include: setup, control real time feedback, and scheduling without a gateway or internet access.

**1-Channel Dimming:** allows for one 0-10 dimming channel for driver control.

**Relay Control:** Load control output (active high) can be used to trigger relays or other control circuitry.

Consult factory for more information.

## Summary

Product Type:  
1-Channel Fixture Controller

Input Voltage | Current Consumption:  
12-24 VDC | 40 mA

0-10V Output: 30 mA

Load Control Output: Active High  
Vin-2.5 V, 30mA source for sensor or relay

Mounting: Fixture Mount

Max Wireless Range<sup>1</sup>:  
100ft (30.4m)

Operating Temperature:  
-30 to 70°C

Storage Temperature:  
-40 to 80°C

Relative Humidity:  
90-95% non-condensing

Color: White

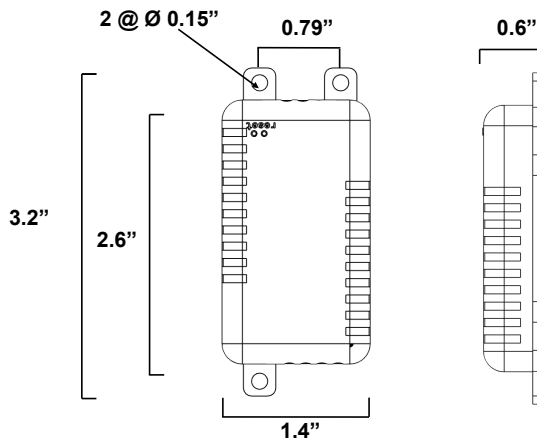
Warranty: 5 years

### Notes:

1. Wireless Range is highly dependent on the integration of fixtures, surrounding environment and conditions. It is recommended to conduct testing for range accuracy.

(MW Connect model: PSC-WCM-50-BLE-CB)

## Physical Dimensions



## How to Order

| Fixture Option | Description   |
|----------------|---|
| <b>NOD</b>     | Wireless Fixture Controller, Single Channel, Casambi Bluetooth Mesh |