

# CASTEX 400



## HAZARDOUS - VAPOR TIGHT

- The **CASTEX 400** is a hazardous location LED lighting fixture rated for use in:
  - Class I, Division 2, Groups A, B, C, D
  - Class II, Division 1, Groups E, F, G
  - Class II, Division 2, Groups F, G
  - Class III
  - UL1598 (Wet Location)
- **HOUSING:** Heavy-duty 20 gauge stainless steel (304) body with RAL9010 (pure white) powder coat finish.
- **DIFFUSER:** Impact resistant, 3mm thick polycarbonate, 120° distribution.
- **COLOR TEMPERATURE:** 5000K. Other color temperatures available (2200K to 7000K), contact factory for details.
- **LUMENS:**
  - LO: 30W @ 4370 lm (EM: 15W @ 2185 lm)
  - HO: 50W @ 7348 lm (EM: 15W @ 2204 lm)
- **OPERATING TEMP:**
  - HT (AC Only) -40°F to 140°F (-40°C to 60°C)
  - SA (AC & EM) 14°F to 140°F (-10°C to 60°C)
- **WEIGHT:**
  - 2ft: 8.8 lbs (4 kg)
  - 4ft: 17.6 lbs (8 kg)



- **APPLICATION:** The **CASTEX 400** is a heavy duty, high impact resistant vapor tight suitable for mining, power generation stations, military, aerospace, oil, gas, chemical production, marine and ocean platform industries. The luminaire is suited for high humidity, high vapor, high dust and high temperature locations.

## ORDERING INFORMATION

Example: HZCAS400HT VHO WT50 120-277V

MODEL	LENGTH	OPERATION	OUTPUT	DIMMING	COLOR TEMP	INPUT	OPTIONS
HZ-CAS400	2 (ft) <sup>1</sup>	HT (AC only)	LO	blank (no dimming)	WT50 <sup>4</sup> (5000K)	120-277V	BAA (Buy American Act)
	4 (ft) <sup>2</sup>	SA <sup>3</sup> (AC&EM)	HO	DIM (0-10V dimming)			HV <sup>5</sup>
							HZCH39 <sup>6</sup> (suspension mount)

NOTE 1: 2 ft only available for 30W (LO)

NOTE 2: 4 ft only available for 50W (HO)

NOTE 3: Contact factory for lead time

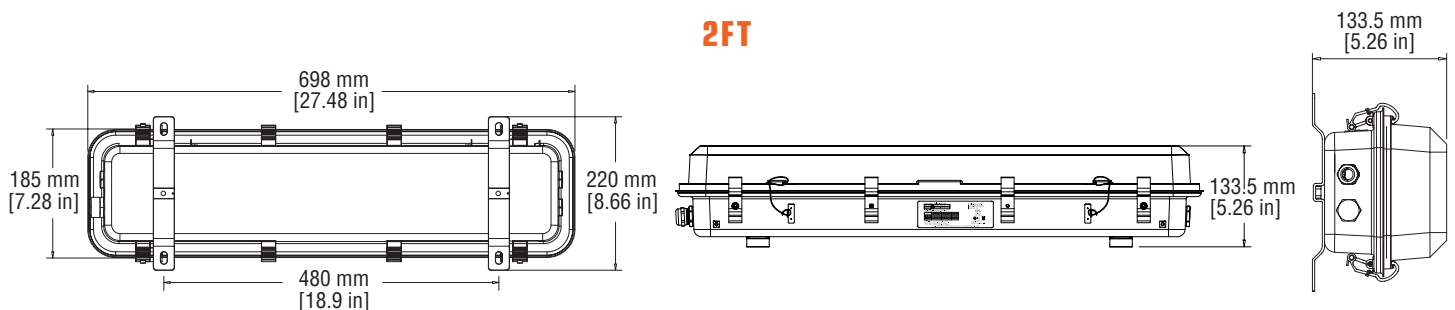
NOTE 4: Other color temperatures available (2200K to 7000K), contact factory

NOTE 5: High voltage option available (200 to 480V), contact factory for lead time

NOTE 6: Single 39" (1 m) chain, can be field cut

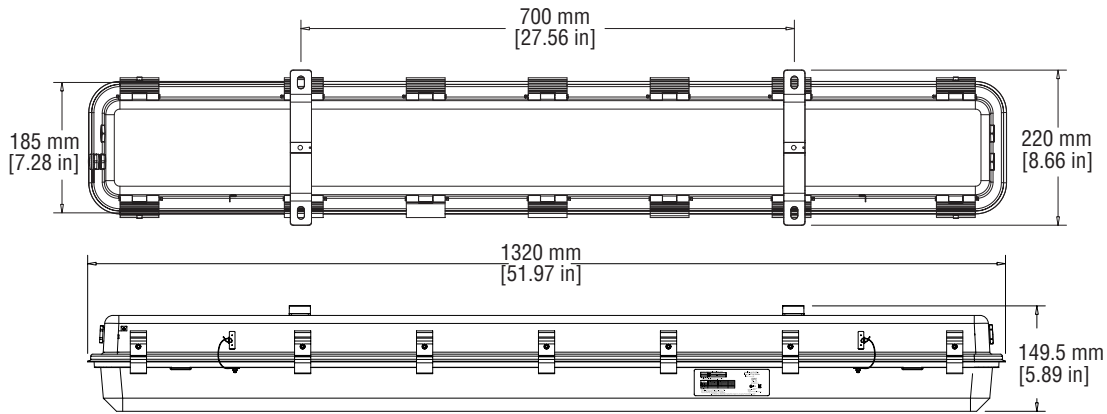
NOTE: Surface/wall mount is standard

## DIMENSIONS



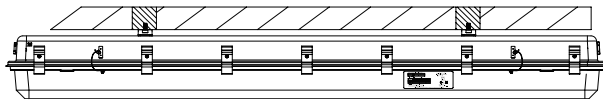
## DIMENSIONS

4FT

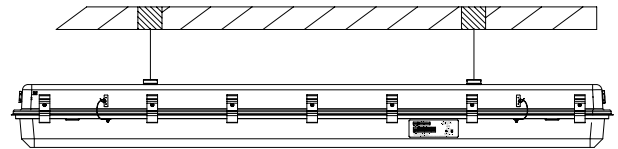


## MOUNTING OPTIONS

**STANDARD**  
(surface/ceiling mount bracket)



**SUSPENSION MOUNT**  
(HZCH39)

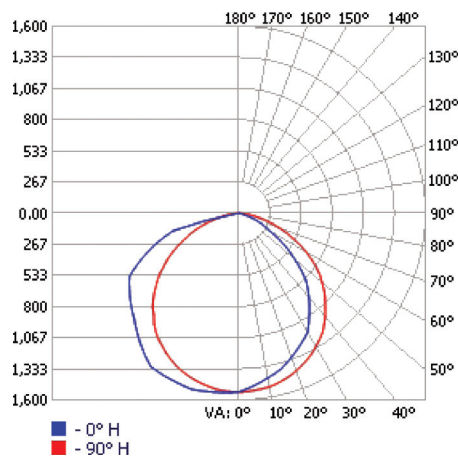


NOTE: Power cord cannot be exposed.  
Hazardous conduit or hazardous J-box mounting required.

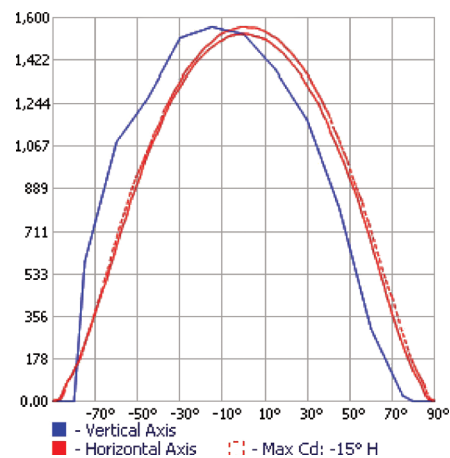
## PHOTOMETRICS

HZCAS400HT LO WT50 120-277V

POLAR CURVES



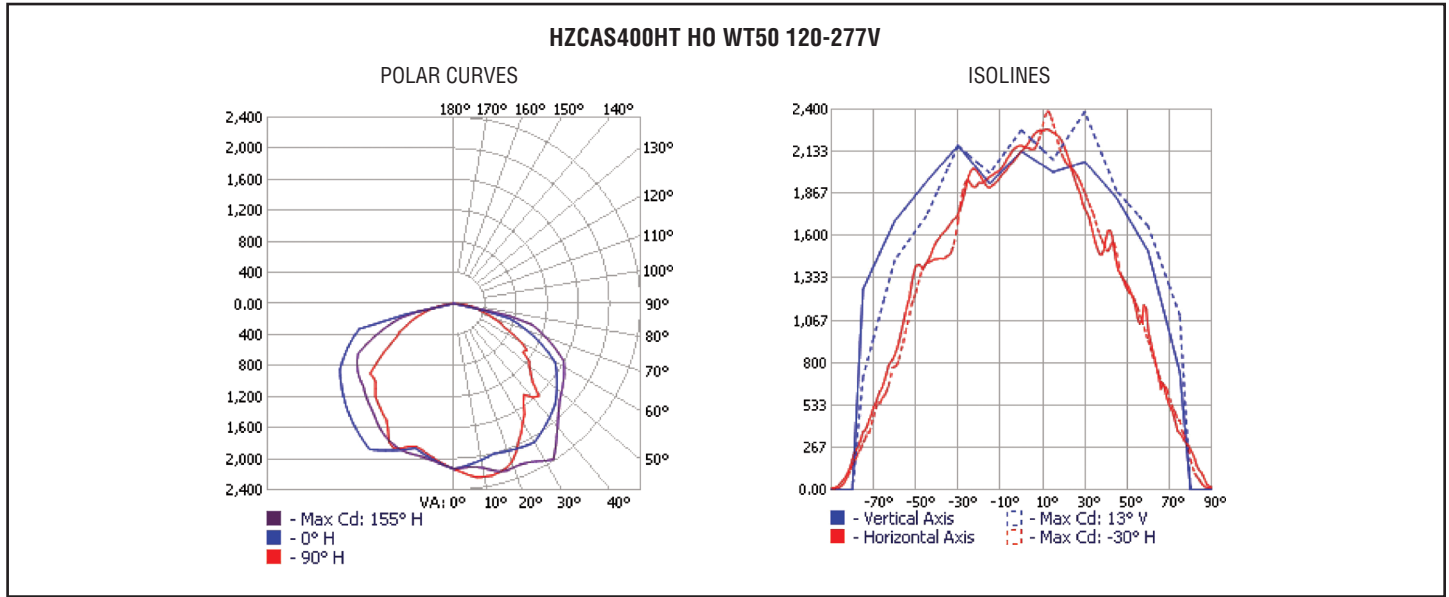
ISOLINES



# CASTEX 400

ADDITIONAL INFORMATION

## PHOTOMETRICS



## ENERGY CHART

MODEL (5000K CCT)	EFFICACY	CONSUMPTION WATTAGE	LUMEN OUTPUT	CRI	L70 (HRS) TESTED	L70 (HRS) PROJECTED
HZCAS400HT LO	142 lm/W	30W	4370 lm	>70	>44,000	>72,000
HZCAS400HT HO	147 lm/W	50W	7348 lm	>70	>44,000	>72,000

## ELECTRICAL RATING

PRODUCT	NOMINAL POWER (W)	AC CURRENT (A)		FREQUENCY (HZ)	DC VOLTAGE (V)	DC CURRENT (MA)
		120 V	277 V			
HZCAS400HT LO	30W	0.26	0.11	50/60	48	625
HZCAS400HT HO	50W	0.42	0.18	50/60	48	1040

## DIMMER COMPATIBILITY

DIMMER	COMPATABILITY	
	ON/OFF	DIMMING
LEVITON - AWRMG-7	YES	YES
LUTRON - DIVE - DVSTV	YES	YES

■ **WARRANTY:** 5 years, see website for full warranty details.