

# CASTEX 300



## HAZARDOUS - LOW TO HIGH BAY

- The **CASTEX 300** is a hazardous location luminaire rated for use in:
  - Class I, Division 2, Groups A, B, C, D
  - Class II, Division 1, Groups E, F, G
  - Class II, Division 2, Groups F, G
  - Class III
  - UL1598 (Wet Location) & UL1598A (Marine)
  - Temperature Code: T3
- The **CASTEX 300** comes standard in gray with a surface/wall mount.
- **HOUSING:** Die-cast, 6mm thick ADC12 aluminum alloy body with marine grade RAL7040 powder coat finish.
- **COLOR TEMPERATURE:** 5000K. Other color temperatures available (2200K to 7000K), contact factory for details.
- **DIFFUSER:** 4 mm tempered glass, 120° distribution. Other distributions available (40, 60 & 90); contact factory for details.
- **LUMENS:**
  - VLO: 60W @ 9504 lm (EM: 15W @ 2376 lm)
  - LO: 100W @ 13864 lm (EM: 15W @ 2080 lm)
  - MO: 150W @ 16065 lm (EM: 15W @ 1607 lm)
  - HO: 200W @ 27485 lm (EM: 15W @ 2061 lm)
  - VHO: 250W @ 37181 lm (EM: 15W @ 2231 lm)
  - XHO: 400W @ 62030 lm (EM: 15W @ 2326 lm)
- **OPERATING TEMP:**
  - HT (AC Only) -40°F to 131°F (-40°C to 55°C)
  - SA (AC & EM) 14°F to 131°F (-10°C to 55°C)
- **WEIGHT:** 7.7 lbs to 41.4 lbs (3.5kg to 18.8kg)



- **APPLICATION:** The **CASTEX 300** is ideal for use in heavy industrial areas such as mining, refineries, chemical, fuel and marine locations.

## ORDERING INFORMATION

Example: HZCAS300HTHODIMWT50120-277V

MODEL	OPERATION	OUTPUT	DIMMING	COLOR TEMP	INPUT	OPTIONS
HZCAS300	HT (AC only)	VLO	DIM (0-10V dimming)	WT50 <sup>2</sup> (5000K)	120-277V	BAA (Buy American Act)
	SA <sup>1</sup> (AC & EM)	LO				
		MO				
		HO				
		VHO				
		XHO				
ACCESSORIES						
					HZCH39 (39" chain)	HZSTN25 (25° stanchion)
					HZHK (hook mount)	HZSTN90 (90° stanchion)
					HZJBOX (J-box)	HZWM25 (25° wall mount)
					HZPK12 (12" pendant stem)	HZWM90 (90° wall mount)

NOTE 1: Contact factory for lead time

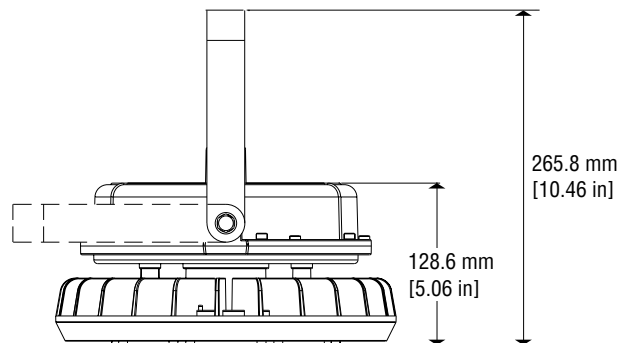
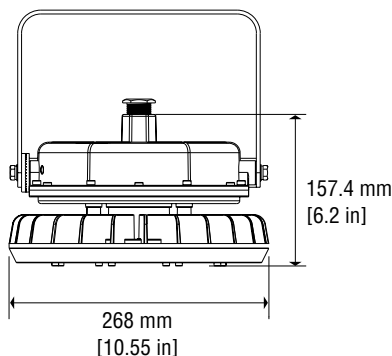
NOTE 2: Other Color temperatures available (2200K to 7000K), contact factory for details

NOTE 3: High voltage option available (200 to 480V), contact factory for lead time

NOTE: Surface/wall mount is standard

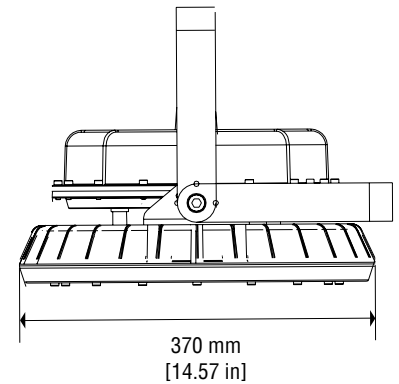
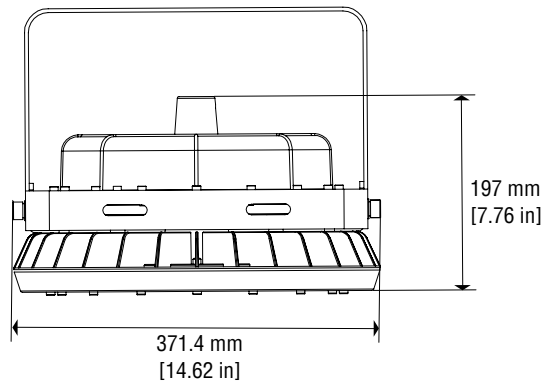
## DIMENSIONS

VLO

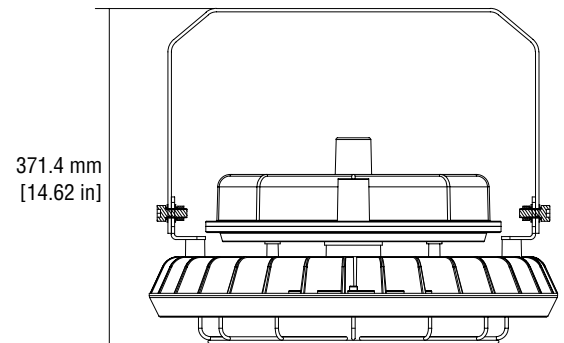
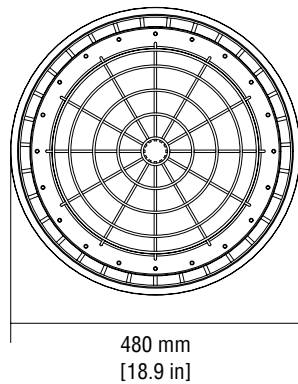


## DIMENSIONS

### LO, MO & HO



### VHO & XHO



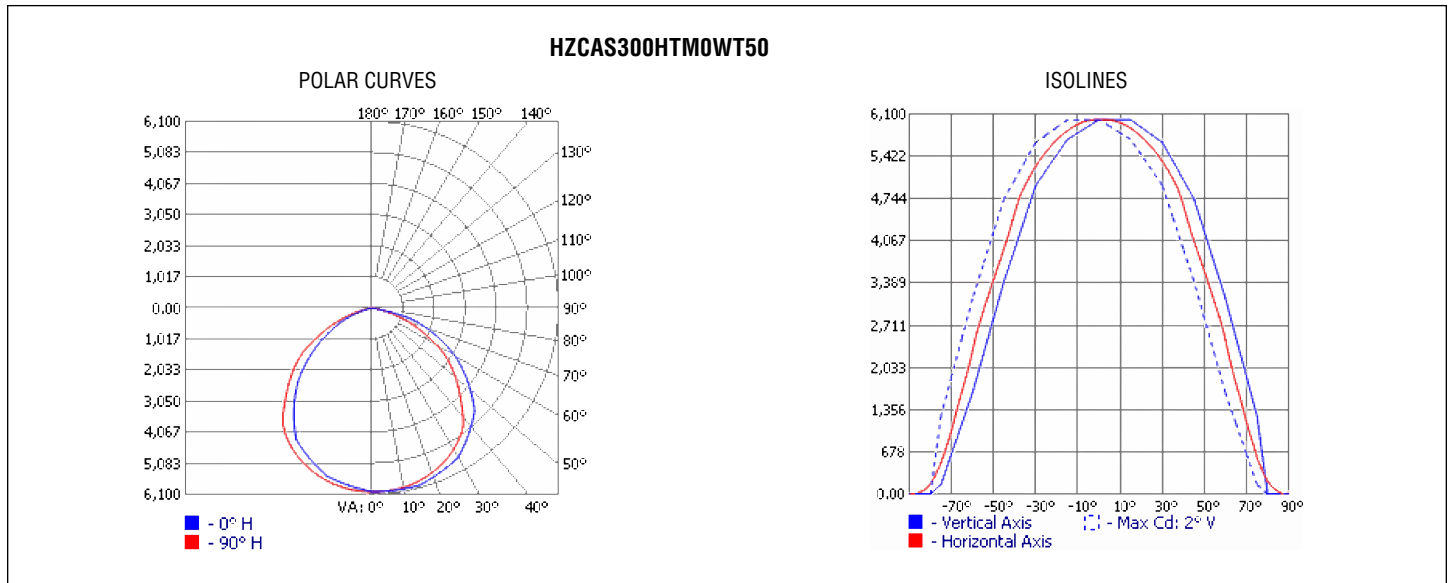
## MOUNTING OPTIONS

<p><b>Standard</b> (surface/ceiling mount bracket)</p>	<p><b>Hook Mount</b> (HZHK)</p>	<p><b>Pendant Stem</b> (HZPK12)</p> <p>Note: PK12 does not include hazardous rated J-box. J-box must be ordered separately.</p>
<p>Note: Power cord cannot be exposed, Hazardous conduit or hazardous J-box mounting required.</p>	<p><b>Stanchion Mount</b> (HZSTN25, HZSTN90)</p> <p>NOTE: Pole (1.77" Ø)</p>	<p><b>Wall Mounting</b> (HZWM25, HZWM90)</p> <p>NOTE: Hazardous J-box included with wall mount.</p>

# CASTEX 300

ADDITIONAL INFORMATION

## PHOTOMETRICS



## ENERGY CHART

MODEL (5000K CCT)	EFFICACY	CONSUMPTION WATTAGE	LUMEN OUTPUT	CRI	L70 (HRS) TESTED	L70 (HRS) PROJECTED
HZCAS300HT VL0	158 lm/W	60	9504 lm	>70	>44,000	>72,000
HZCAS300HT L0	138 lm/W	100	13864 lm	>70	>44,000	>72,000
HZCAS300HT M0	107 lm/W	150	16065 lm	>70	>44,000	>72,000
HZCAS300HT H0	142 lm/W	200	27485 lm	>70	>44,000	>72,000
HZCAS300HT VH0	146 lm/W	250	37191 lm	>70	>44,000	>72,000
HZCAS300HT XH0	155 lm/W	400	62030 lm	>70	>44,000	>72,000

## ELECTRICAL RATING

PRODUCT	NOMINAL POWER (W)	AC CURRENT (A) AC VOLTAGE		FREQUENCY (HZ)	DC VOLTAGE (V)	DC CURRENT (MA)
		120 V	277 V			
HZCAS300HT VL0	60	0.51	0.22	50/60	48	1250
HZCAS300HT L0	100	0.85	0.37	50/60	48	2090
HZCAS300HT M0	150	1.28	0.55	50/60	48	3130
HZCAS300HT H0	200	1.67	0.73	50/60	48	4170
HZCAS300HT VH0	250	2.10	0.91	50/60	48	5210
HZCAS300HT XH0	400	3.35	1.45	50/60	48	8350

■ **WARRANTY:** 5 years, see website for full warranty details.