

Type: \_\_\_\_\_

Project: \_\_\_\_\_

# LEDLUMINA

TITLE 20 TITLE 24



## BS400LED - MID BAY/ GARAGE LIGHT

- The **LEDLUMINA** BS400LED is a modern, ultra low profile, glare-free, energy saving solution that is scalable to your project
- The **LEDLUMINA** BS400LED features a surface mount bracket with quick connect for ease of installation and stainless steel hardware
- **DIFFUSER:** Frosted UV stabilized polycarbonate diffuser provides even light distribution; Reflected light technology efficiently controls glare
- **HOUSING:** Die-cast, copper-free aluminum
- **LUMENS:**
  - LO (30W): 3571 up to 3779 lm (SA: 16W, 1881 lm)
  - MO (45W): 5358 up to 5671 lm (SA: 16W, 1881 lm)
  - HO (60W): 6980 up to 7282 lm (EM: 17W, 2190 lm)
- **OPERATING TEMPERATURES:**
  - HT: -40 to 40°C (-40 to 104°F)
  - SA (MO & LO): 0 to 25°C (32 to 77°F)
  - EM (HO): 0 to 50°C (32 to 122°F)



**APPLICATION:** The **BS400LED** has been specifically designed to meet parking structure requirements. It's also ideal for other applications including retail stores, industrial installations, warehouses, breezeways, canopies, schools and much more. It can be installed both indoor and outdoor.

**OPTIONS:**

- Integral and remote emergency egress solutions
- Logica lighting control options (see Logica Controls section)
- Surge and fuse protection

**WEIGHT:** 14 lbs / 6.3 kg

### ORDERING INFORMATION

Example: BS400LED HT HO WT40 120-277V

MODEL	OPERATION	OUTPUT	COLOR TEMP	INPUT	OPTIONS	
BS400LED	HT (AC only)	LO	WT30 (3000K)	120-277V	EM-RMT <sup>2</sup> (remote mount EM backup - 90 min runtime)	OS <sup>5,6</sup> (external occupancy sensor)
	SA <sup>1</sup> (AC & EM)	MO	WT35 (3500K)	347-480V	EM-CT <sup>3,10</sup> (integrated cold temperature EM pack)	NOD <sup>5</sup> (integrated node)
		HO	WT40 (4000K)		FP (inline fuse protection - 3A)	SP (surge protection - 10 kA)
			WT50 (5000K)		IS <sup>4,5</sup> (internal occ sensor)	

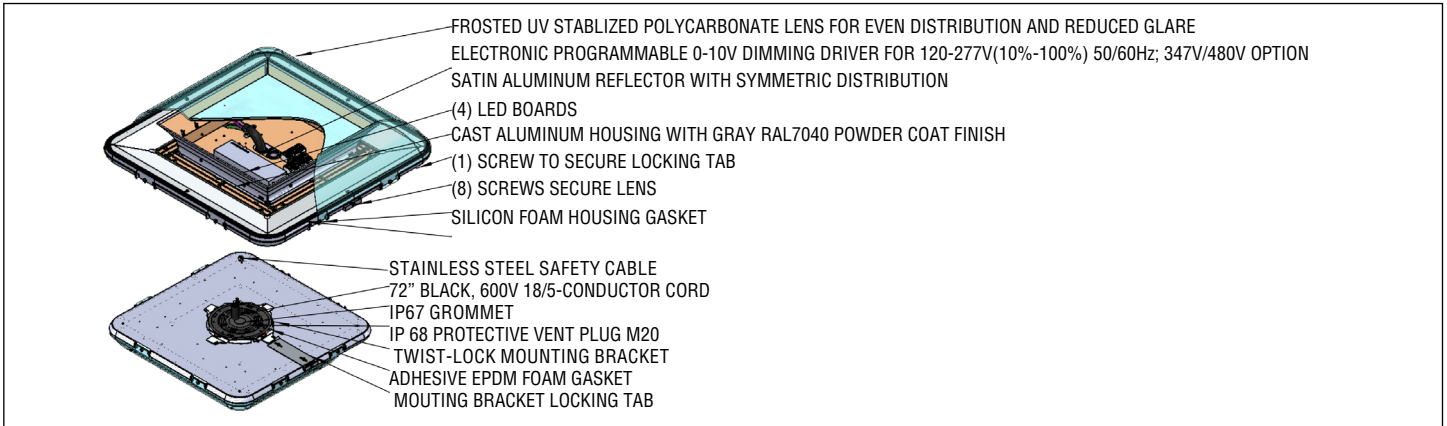
#### CONTROLS & ACCESSORIES

1PKxWBS400 <sup>6,7</sup> (single pendant kit, white, x=length)	EMDCB <sup>5</sup> (BT wireless motion & lux sensor)
1SPKxWBS400 <sup>6,7</sup> (swivel pendant kit, x=length)	HHRFSIR <sup>8</sup> (handheld remote for FSP221)
1XACx <sup>6,7</sup> (adjustable aviation cable, x=length)	MLM1 <sup>5</sup> (wireless motion and lux sensor)
4CH48 <sup>6,7</sup> (48" chain hang kit, 4 pieces)	RLY <sup>5</sup> (wireless relay)
CM <sup>9</sup> (custom mount)	

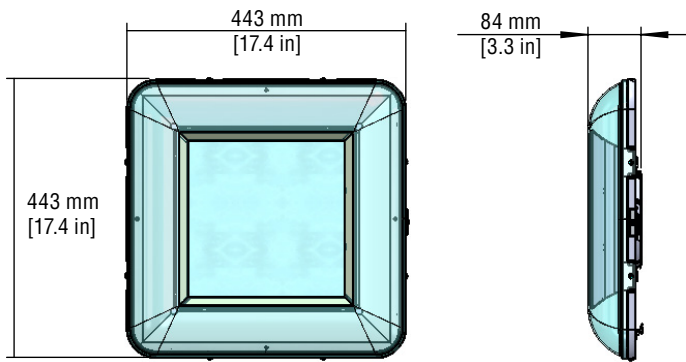
NOTE 1: SA for LO & MO only (120-277V); 16W; 1881lm. CEC Title 20; Comes with test switch and LED indicator  
 NOTE 2: HT Only, all models  
 NOTE 3: HT Only, LO & MO Models  
 NOTE 4: IS is std Beggelli sensor, FSP 221, Magnum ISM1 and other sensors are available  
 NOTE 5: Beggelli offers wireless and powerless control solutions, contact factory for more details

NOTE 6: Standard pendant lengths "x" = 12 (12"), 24 (24") and 48 (48")  
 NOTE 7: Consult factory for non-standard lengths  
 NOTE 8: FSP221 and OSFSP221 require HHRFSIR handheld remote accessory  
 NOTE 9: Consult factory  
 NOTE 10: Cold temp. emergency pack option for SA models; 120-277V; down to -20oC (-4oF); 14W; 1750 lm

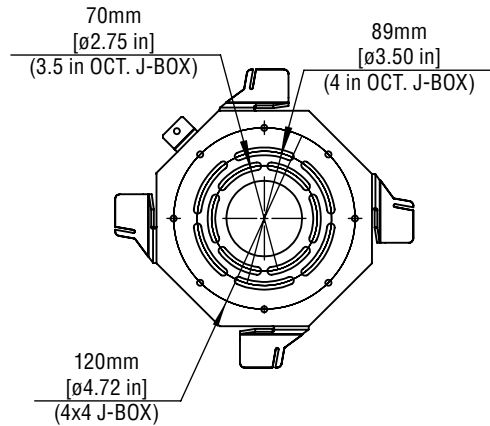
## TECHNICAL INFORMATION



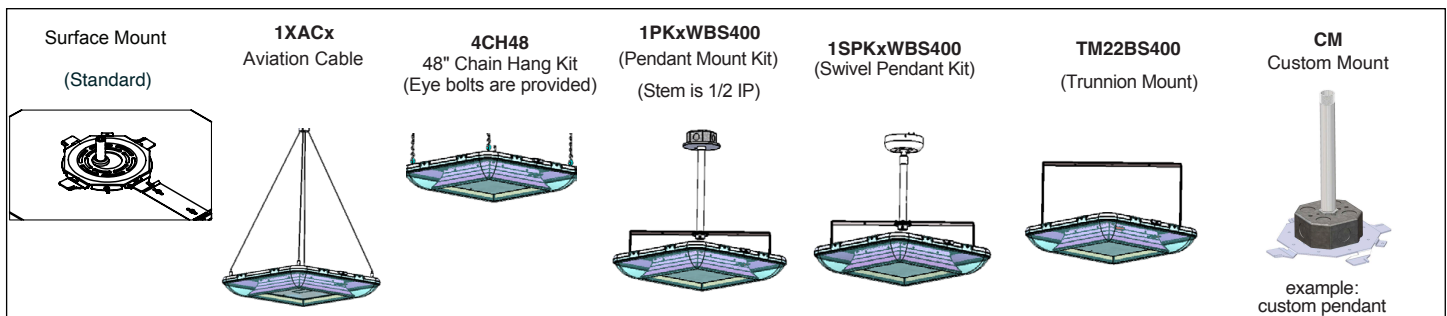
## DIMENSIONS



## SURFACE MOUNTING (STANDARD WITH BRACKET)



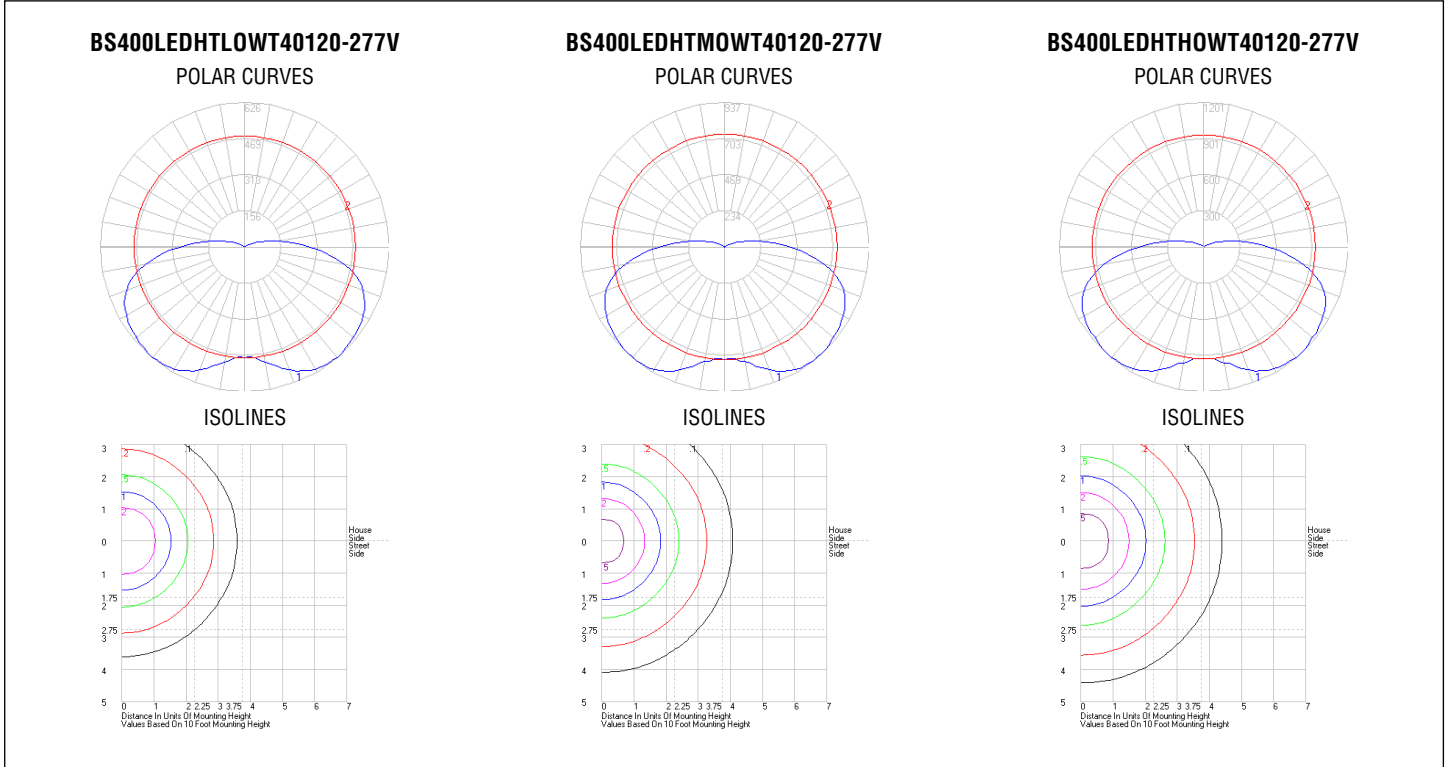
## MOUNTING OPTIONS



# LEDLUMINA BS400LED

ADDITIONAL INFORMATION

## PHOTOMETRICS



## ENERGY CHART

MODEL	EFFICACY	CONSUMPTION WATTAGE	LUMEN OUTPUT*	CRI	L70 (HRS) REPORTED/ PROJECTED
BS400LED-HT-LO-WT30-120-277V	119 LPW	30W	3571 LM	>80	>60,000/ 100,000
BS400LED-HT-LO-WT35-120-277V	121 LPW	30W	3621 LM	>80	>60,000/ 100,000
BS400LED-HT-LO-WT40-120-277V	125 LPW	30W	3753 LM	>80	>60,000/ 100,000
BS400LED-HT-LO-WT50-120-277V	126 LPW	30W	3779 LM	>80	>60,000/ 100,000
BS400LED-HT-MO-WT30-120-277V	119 LPW	45W	5358 LM	>80	>60,000/ 100,000
BS400LED-HT-MO-WT35-120-277V	121 LPW	45W	5621 LM	>80	>60,000/ 100,000
BS400LED-HT-MO-WT40-120-277V	125 LPW	45W	5632 LM	>80	>60,000/ 100,000
BS400LED-HT-MO-WT50-120-277V	126 LPW	45W	5671 LM	>80	>60,000/ 100,000
BS400LED-HT-HO-WT30-120-277V	115 LPW	60W	6900 LM	>80	>60,000/ 100,000
BS400LED-HT-HO-WT35-120-277V	116 LPW	60W	6960 LM	>80	>60,000/ 100,000
BS400LED-HT-HO-WT40-120-277V	121 LPW	60W	7233 LM	>80	>60,000/ 100,000
BS400LED-HT-HO-WT50-120-277V	121 LPW	60W	7282 LM	>80	>60,000/ 100,000

\* +/- 5%

# LEDLUMINA BS400LED

ADDITIONAL INFORMATION

## ELECTRICAL RATING

PRODUCT	NOMINAL POWER (W)	AC CURRENT (A) AC VOLTAGE		FREQUENCY (HZ)	DC VOLTAGE (V)	DC CURRENT (MA)
		120 V	277 V			
BS400LED-HT-LO	30	0.26	0.11	50/60	36	800
BS400LED-HT-MO	45	0.38	0.17	50/60	33	1200
BS400LED-HT-HO	60	0.51	0.22	50/60	34	1550

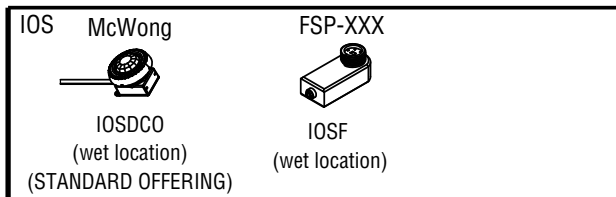
## DIMMER COMPATIBILITY

DIMMER	COMPATABILITY	
	ON/OFF	DIMMING
LEVITON - AWRMG-7	YES	YES
LUTRON - DIVA - DVSTV	YES	YES

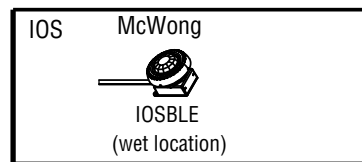
■ **WARRANTY:** 5 years, see website for full warranty details.

## LOGICA LIGHTING CONTROL SOLUTIONS

### STAND ALONE - MANUAL COMMISSIONING



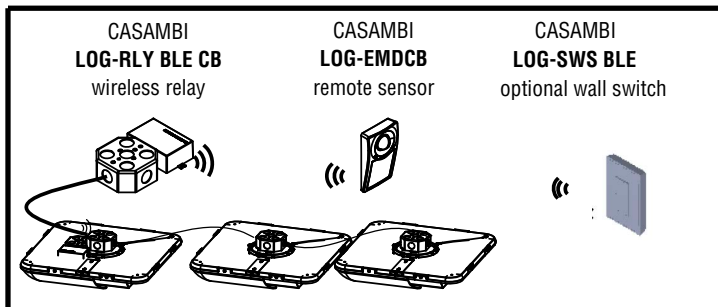
### STAND ALONE - BLUETOOTH COMMISSIONING



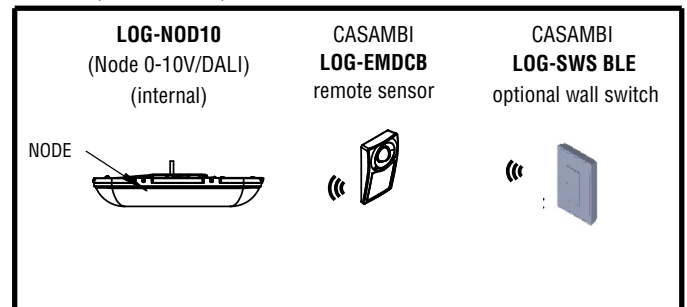
- Consult factory for sensor settings
- Variety of models & settings available for FSP sensors (HHR-FSIR is remote for FSP-221 sensor)

## NETWORK SOLUTIONS

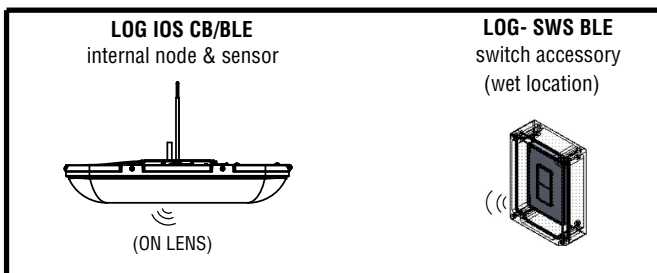
### RELAY (damp location)



### NODL (damp location)



### IOSL (wet location)



### DEFAULT SETTING:

- 100% @ Occupied
- 50% After 30 minutes without occupation
- OFF after an additional 30 minutes without occupation
- Step-dimming available with commissioning (network solution only)

**NOTE: PIR OVERRIDES DAYLIGHT HARVESTING**

- Compatible with other control solutions, consult factory