

LEDLUMINA



BS400LEDPLUS - HIGH BAY/ GARAGE LIGHT

- The **LEDLUMINA BS400LEDPLUS** is a high performance, high output, efficient solution that is scalable to your project
- The **LEDLUMINA BS400LEDPLUS** features a quick connect system for easy surface mount installation and stainless steel hardware
- **HOUSING:** High grade die-cast aluminum with gray RAL 7040 powder coat finish
- **DIFFUSER:** Frosted UV stabilized polycarbonate diffuser, providing even light distribution; Reflected light technology efficiently controls glare
- **LUMENS:** LO (80W): 10,110 up to 10,815 lm (*EM: 2190 lm, 17W*)
MO (100W): 12,225 up to 13,077 lm (*EM: 2190 lm, 17W*)
- **OPERATING TEMPERATURE:**
HT: -40 to 50°C (-40 to 122°F)
EM: 0 to 50°C (32 to 122°F)
- **OPTIONS:**
 - Remote battery back-up for 90 minutes emergency illumination
 - Logica lighting control options (see Logica Controls section)
 - Surge and fuse protection
- **WEIGHT:** 14 lbs / 6.3 kg



APPLICATION: The **LEDLUMINA BS400LEDPLUS** has been specifically designed for parking garage entrance and exit applications. It's also ideal for other applications including retail stores, industrial installations, warehouses, breezeways, canopies, schools, loading docks, gymnasiums, and arenas. It can be installed both indoor and outdoor.

CERTIFICATIONS

- UL Certified for Wet Locations
- DLC PREMIUM for maximum potential utility rebates
- Complies with CEC Title 20 and Title 24 in California
- IP66
- IK09
- BAA assembly in US

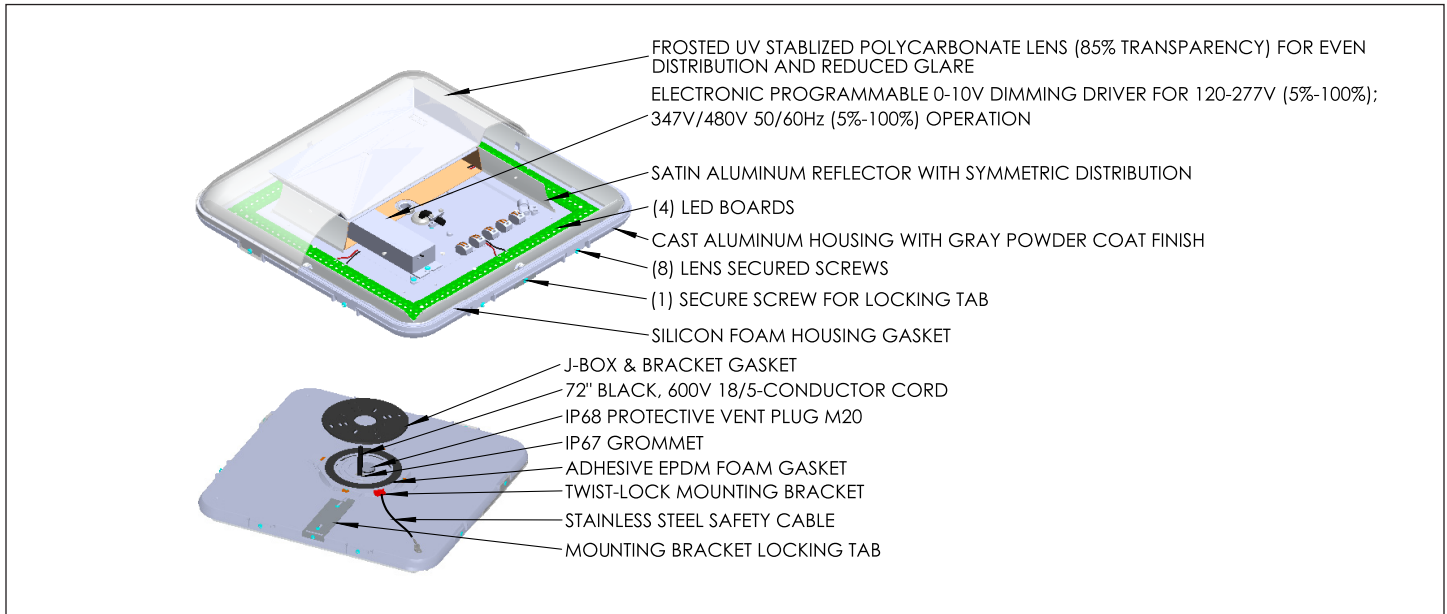
ORDERING INFORMATION

Example: BS400PLUS-HT-MO-120-277V-EM

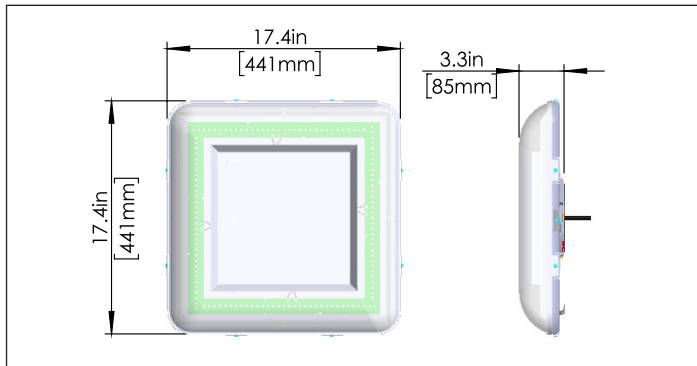
MODEL	OPERATION	OUTPUT	COLOR TEMP	INPUT	MOUNTING	OPTIONS
BS400LEDPLUS	HT (AC only)	LO	WT30 (3000K)	120-277V	blank ¹ (surface mount)	EM ⁴ (emergency back-up remote)
		MO	WT35 (3500K)	347V	AC ² (aviation cable)	FP (fuse protection - 3A)
			WT40 (4000K)	480V	CH ³ (chain hang kit)	IOS ⁵ (internal occupancy sensor)
			WT50 (5000K)		PK ³ (pendant kit)	IOSL ⁵ (internal occupancy sensor - LOGICA)
					SVLPK ³ (swivel pendant kit)	NODL ⁵ (integrated node - LOGICA)
					TM (trunnion mount)	RLY ⁵ (wireless relay - LOGICA)
					CM ⁶ (custom mount)	SP (surge protector - 10kA)

NOTE 1: Surface mount is standard
NOTE 2: Specify length for AC: 50", 72", 100", 150", 250", field adjustable
NOTE 3: CH, PK & SVLPK options must specify length
NOTE 4: Title 20 remote mount emergency pack (120-277V, 17W, 2190 lm) for field installation (25ft remote mount wire length)
NOTE 5: IOS and Logica control solutions shown in Logica Controls section; Contact factory for more details
NOTE 6: Consult factory

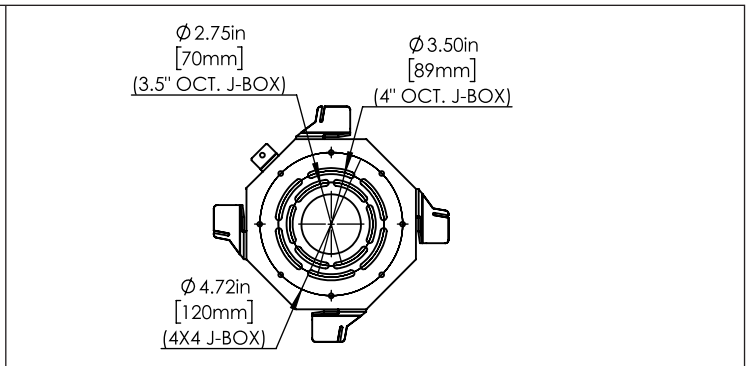
TECHNICAL INFORMATION



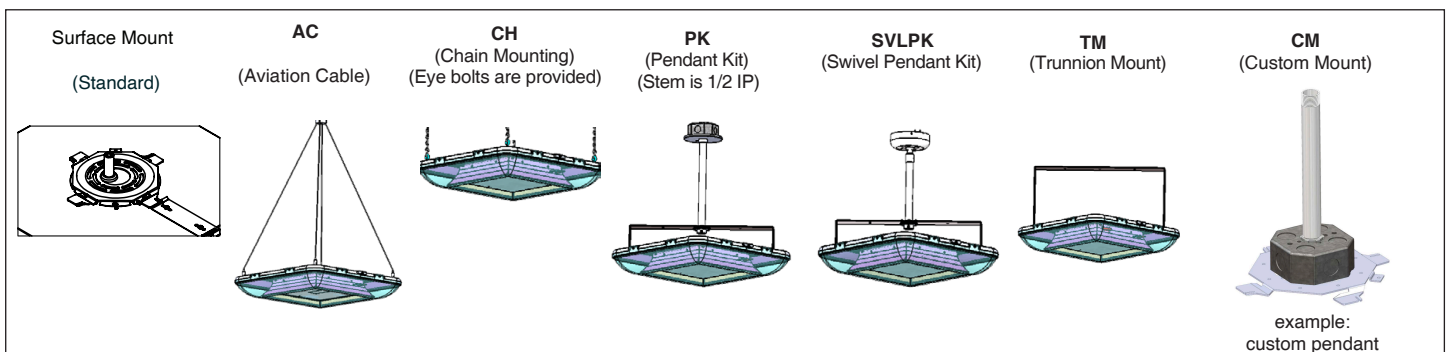
DIMENSIONS



SURFACE MOUNTING (STANDARD WITH BRACKET)



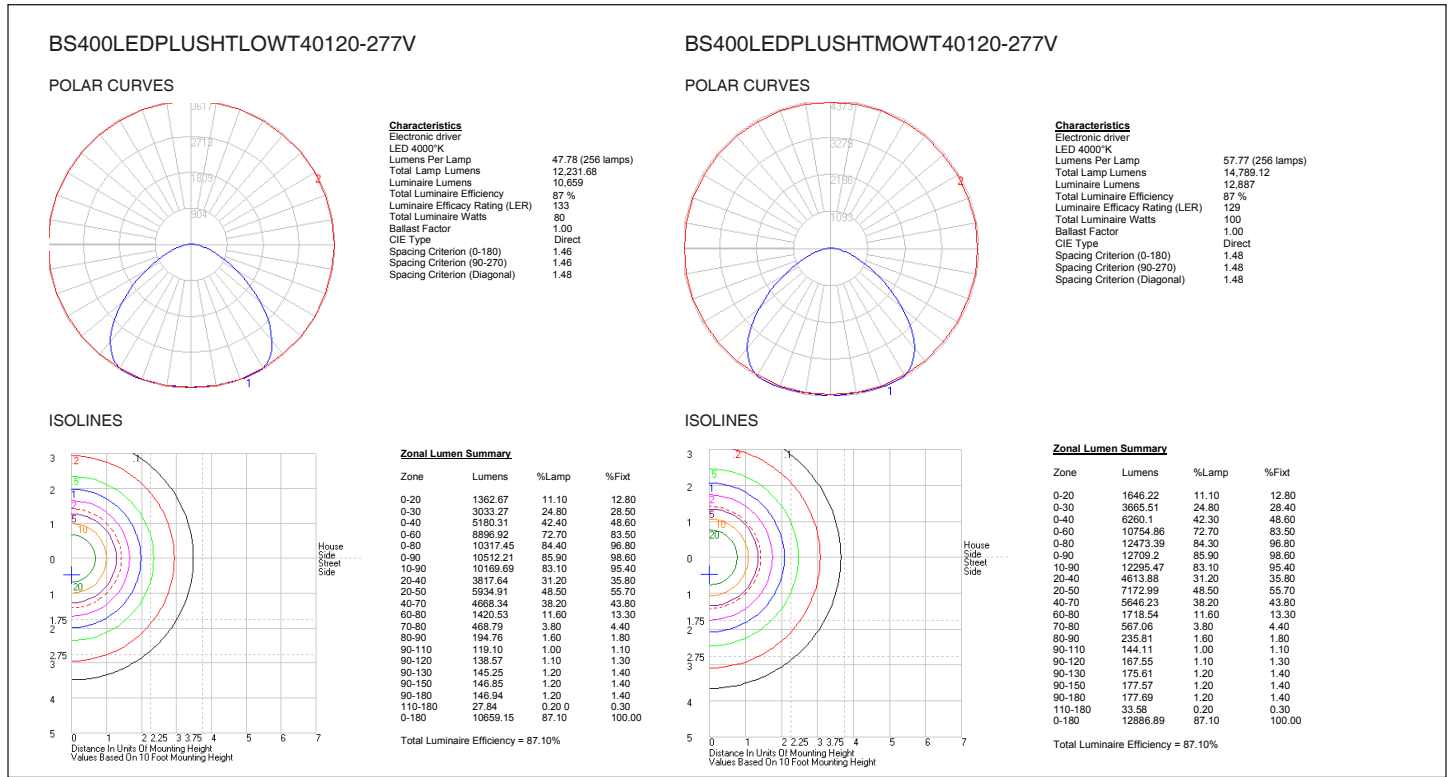
MOUNTING OPTIONS



LEDLUMINA BS400LEDPLUS

ADDITIONAL INFORMATION

PHOTOMETRICS



ENERGY CHART

MODEL	EFFICACY	CONSUMPTION WATTAGE	LUMEN OUTPUT (+/-5)	CRI	L70 (HRS) REPORTED/ PROJECTED
BS400LEDPLUS-HT-LO-WT30-120-277V	126 LPW	80W	10110 LM	>80	>60,000/ 100,000
BS400LEDPLUS-HT-LO-WT35-120-277V	128 LPW	80W	10254 LM	>80	>60,000/ 100,000
BS400LEDPLUS-HT-LO-WT40-120-277V	133 LPW	80W	10659 LM	>80	>60,000/ 100,000
BS400LEDPLUS-HT-LO-WT50-120-277V	135 LPW	80W	10815 LM	>80	>60,000/ 100,000
BS400LEDPLUS-HT-MO-WT30-120-277V	122 LPW	100W	12225 LM	>80	>60,000/ 100,000
BS400LEDPLUS-HT-MO-WT35-120-277V	124 LPW	100W	12397 LM	>80	>60,000/ 100,000
BS400LEDPLUS-HT-MO-WT40-120-277V	129 LPW	100W	12887 LM	>80	>60,000/ 100,000
BS400LEDPLUS-HT-MO-WT50-120-277V	131 LPW	100W	13077 LM	>80	>60,000/ 100,000

■ **WARRANTY:** 5 years, see website for full warranty details.



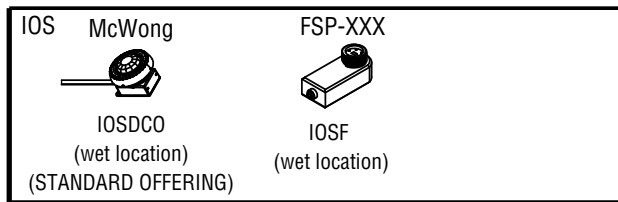
ELECTRICAL RATING

DIMMER COMPATIBILITY

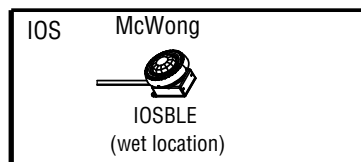
PRODUCT	NOMINAL POWER (W)	AC CURRENT (A)		FREQUENCY (HZ)	DC VOLTAGE (V)	DC CURRENT (MA)	DIMMER	COMPATABILITY	
		120V	277V					ON / OFF	DIMMING
BS400LEDPLUS-HT-LO	80	0.68	0.29	50/60	44	1.6	LEVITON - AWRMG-7	YES	YES
BS400LEDPLUS-HT-MO	100	0.85	0.37	50/60	44	2.0	LUTRON - DIVA DVSTV	YES	YES

LOGICA LIGHTING CONTROL SOLUTIONS

STAND ALONE - MANUAL COMMISSIONING



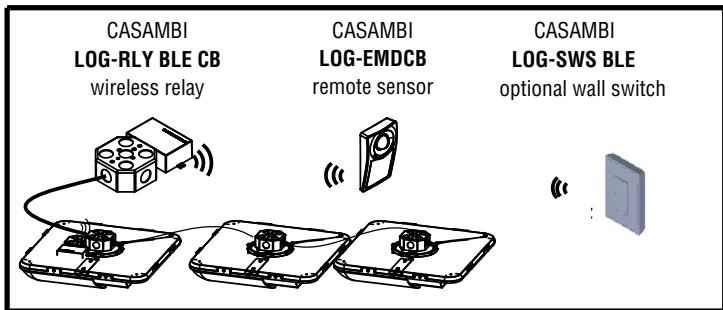
STAND ALONE - BLUETOOTH COMMISSIONING



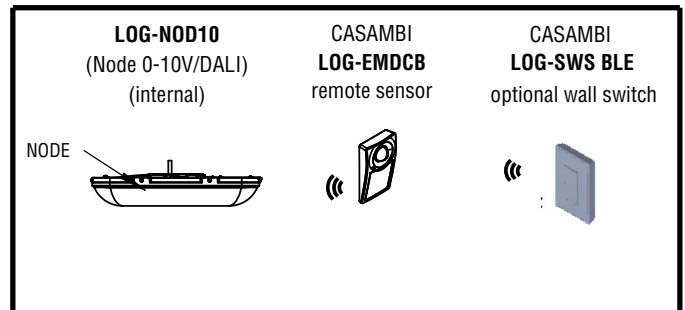
- Consult factory for sensor settings
- Variety of models & settings available for FSP sensors (HHR-FSIR is remote for FSP-221 sensor)

NETWORK SOLUTIONS

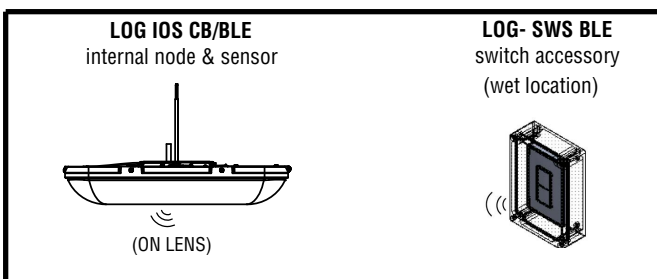
RELAY (damp location)



NODL (damp location)



IOSL (wet location)



DEFAULT SETTING:

- 100% @ Occupied
- 50% After 30 minutes without occupation
- OFF after an additional 30 minutes without occupation
- Step-dimming available with commissioning (network solution only)

NOTE: PIR OVERRIDES DAYLIGHT HARVESTING

- Compatible with other control solutions, consult factory