

Job Name: \_\_\_\_\_  
 Model: \_\_\_\_\_  
 Type: \_\_\_\_\_  
 Date: \_\_\_\_\_



### ■ specifications: internal

AC ONLY, AC/DC and SELF-POWERED comes standard configured with high-output LED technology, 120/277VAC input. Nickel-cadmium batteries provide a minimum 90 minutes of emergency duration. Optional 120 minute duration battery is available. Solid state charger & transfer. Standard with 120/277VAC input and consume only 2W nominal power. CSA 22.2 No. 141 Performance Certified. **BRUNO** signs configured for AC/DC operation feature a universal 2 wire DC input; 6VDC - 24VDC. Fuse protection is standard.

### ■ specifications: external

The **BRUNO** series housing is constructed from durable die-cast aluminum. The acrylic faceplate is universal and can be configured for both single face or double face and includes field installable inserts that allow for white and mirror panel backgrounds. The **BRUNO** allows the installer to choose between surface or recessed, wall, ceiling or end mounting. The housing comes standard in a white, baked powder coat finish. Available in custom powder coat finishes or alternate metal finishes (please specify). External LED monitor light and test switch are standard on self-powered versions.

### ■ ordering logic

Series	Operation	LED	Face No./Panel Color	Mounting	Options
BRU	HT (AC only)	LR (red)	U <sup>1</sup> (universal faces)	M <sup>2</sup> (universal mounts)	120SP (120 min emergency)
	SA (self-powered)	LG (green)			120VDC (specify 2 or 4 wires)
ACCESSORIES:					
1PK12B <sup>4</sup> (12" pendant kit, black)					AT (autotest - for SA model only)
1PK12BA (12" pendant kit, brushed aluminum)					BLK (black finish)
1PK12W <sup>4</sup> (12" pendant kit, white)					BA (brushed aluminum finish)
					CC (custom color)
					FL <sup>3</sup> (visual alarm)
					IF (inverted face)
					PA (polished aluminum finish)
					SW <sup>5</sup> (special wording - specify)
					UDC (universal 6 - 24VDC)

Example: BRU SA LRUM AT

**NOTE 1:** Single and double face panels & mirror and white inserts included in carton

**NOTE 2:** Surface (wall, ceiling & end) and Recess (wall & ceiling) mounting included in the product box

**NOTE 3:** Visual alarm only with AT option

**NOTE 4:** Pendant kits also available in 24" and 48", consult factory for custom length options

**NOTE 5:** For special wording, note white (W) or mirror (M) background and single (1) or double (2) face, Example: BRU HT LR 1W M SW

### ■ universal design

The **BRUNO** is a truly all-in-one exit solution that is ideal for distributor shelves and last minute jobs. Every **BRUNO** includes the required components for surface (wall, ceiling & end) and recessed (wall & ceiling) mount configurations. Single and double face panels are provided, as well as field installable inserts in mirror and white. Chevrons are field installable.

### ■ specifications: battery

The **BRUNO** is designed with a maintenance free, nickel-cadmium battery providing a minimum emergency duration of 90 minutes. An optional 120 minute nickel-cadmium battery is available. Recharge time of the battery is less than twenty-four [24] hours. The battery operating temperature is from 50°F up to 104°F (10°C to 40°C).

### ■ installation

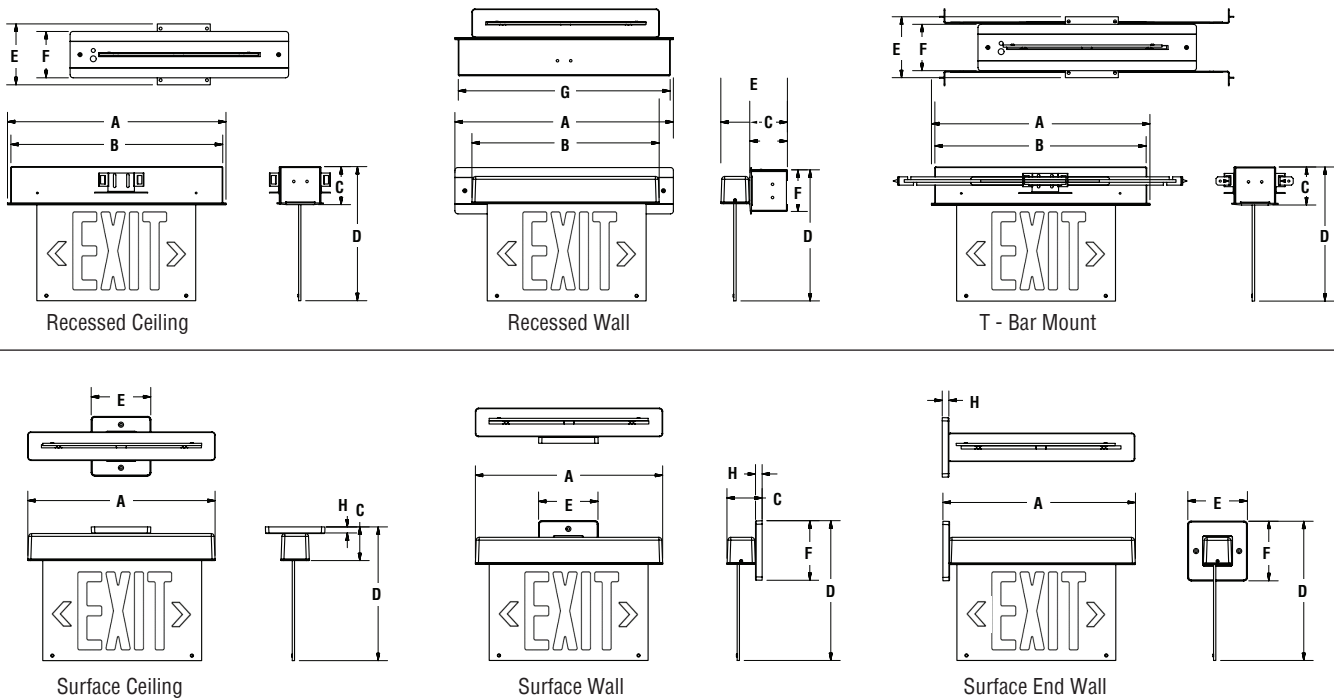
The **BRUNO** can be configured on site for surface wall, ceiling or end mount as well as recessed wall or ceiling mount. Adjustable steel T-bar mounting brackets are supplied standard for recessed ceiling installation. Faceplates for the **BRUNO** are constructed of clear, solid acrylic. The **BRUNO** is suitable for indoor and damp installations.

## ■ autotest

The Beghelli auto-test system automatically performs one 5 minute discharge test monthly and every 6 months it performs two 30 minute discharge tests, 24 hours apart. This tests both full battery capacity and recharge capability. The information is communicated simply and intuitively to maintenance personnel via a single multi-colour LED. No need to memorize complex indicator protocols. No confusing array of multiple, same coloured LEDs that can be difficult to read from floor level.

- |                       |                          |
|-----------------------|--------------------------|
| ● Steady Green:       | Normal Operation:        |
| ● Flashing Green:     | Testing Underway         |
| ● Flashing Red/Green: | High Charging            |
| ● Steady Red:         | Battery Disconnected     |
| ● Flashing Red:       | Battery Test Failure     |
| ● Red Double Blink:   | Battery Charging Failure |
| ● Red Three Blink:    | LED Failure              |

## ■ dimensions (in, mm)



Model	A	B	C	D	E	F	G	H
Rec. Ceiling	16 <sup>1</sup> / <sub>2</sub> " (419mm)	16" (406mm)	3" (76mm)	10" (254mm)	4 <sup>1</sup> / <sub>2</sub> " (114mm)	3 <sup>1</sup> / <sub>2</sub> " (89mm)	N/A	N/A
Rec. Wall	16 <sup>1</sup> / <sub>2</sub> " (419mm)	14 <sup>1</sup> / <sub>2</sub> " (368mm)	2 <sup>3</sup> / <sub>4</sub> " (70mm)	9 <sup>3</sup> / <sub>4</sub> " (247mm)	5" (127mm)	3 <sup>1</sup> / <sub>4</sub> " (82.5mm)	16" (406mm)	N/A
T-Bar Mount	16 <sup>1</sup> / <sub>2</sub> " (419mm)	16" (406mm)	3" (76mm)	10" (254mm)	4 <sup>1</sup> / <sub>2</sub> " (114mm)	3 <sup>1</sup> / <sub>2</sub> " (89mm)	N/A	N/A
Surf. Ceiling	14 <sup>1</sup> / <sub>4</sub> " (362mm)	N/A	2 <sup>1</sup> / <sub>2</sub> " (63.5mm)	10" (254mm)	4 <sup>1</sup> / <sub>2</sub> " (114mm)	N/A	N/A	1/2" (13mm)
Surf. Wall	14 <sup>1</sup> / <sub>4</sub> " (362mm)	N/A	3 <sup>1</sup> / <sub>4</sub> " (83mm)	10" (254mm)	4 <sup>1</sup> / <sub>2</sub> " (114mm)	4 <sup>1</sup> / <sub>2</sub> " (368mm)	N/A	1/2" (13mm)
Surf. End Wall	14 <sup>1</sup> / <sub>2</sub> " (368mm)	N/A	N/A	10" (254mm)	4 <sup>1</sup> / <sub>2</sub> " (114mm)	4 <sup>1</sup> / <sub>2</sub> " (368mm)	N/A	1/2" (13mm)

## ■ self-powered versions

The **BRUNO** series is designed to operate on battery power in the event of a power failure. Both the battery and charger are completely contained within the standard enclosure. There are no external components and no alterations made to the external dimensions of the standard sign. Status is easily determined via an LED that indicates AC-ON. A push button test switch allows maintenance personnel to quickly confirm the operational status of the exit.

## ■ warranty

The **BRUNO** comes with a 5-year factory warranty. Deliberate damage, misuse, or improper installation effectively cancel the warranty.