

CASTEX 320



HAZARDOUS

- The **CASTEX 320** is a hazardous location luminaire rated for use in:
 - Class I, Division 1, Groups C, D
 - Class I, Division 2, Groups A, B, C, D
 - Class II, Division 1, Groups E, F, G
 - Class II, Division 2, Groups F, G
 - Class III
 - UL1598 (Wet Location) & UL1598A (Marine)
 - Temperature Code: T4
- The **CASTEX 320** comes standard in gray with a surface/wall mount bracket.
- **HOUSING:** Die-cast, ADC12 aluminum alloy body, 6mm thick, with marine grade RAL7040 powder coat finish.
- **DIFFUSER:** 8 mm tempered glass 120° distribution. Other distributions available (40°, 60°, & 90°); contact factory for details.
- **COLOR TEMPERATURE:** 5000K. Other color temperatures available (2200K to 7000K); contact factory for details.
- **LUMENS:**
 - VLO: 60W @ 7368 lm (EM: 15W @ 1842 lm)
 - LO: 80W @ 8704 lm (EM: 15W @ 1632 lm)
 - MO: 100W @ 12831 lm (EM: 15W @ 1925 lm)
 - HO: 150W @ 18967 lm (EM: 15W @ 1897 lm)
- **OPERATING TEMP:**
 - HT (AC Only) -40°F to 131°F (-40°C to 55°C)
 - SA (AC & EM) 14°F to 140°F (-10°C to 55°C)



- **WEIGHT:** 15.4 lbs to 39.4 lbs (7kg to 17.9kg)
- **APPLICATION:** The **CASTEX 320** is designed for impact resistance and is ideal for heavy industry such as mining, refineries, chemical, food, coastal marine facilities and corrosive applications.

ORDERING INFORMATION

Example: HZCAS320HTHODIMWWT50120-277V

MODEL	OPERATION	OUTPUT	DIMMABLE	COLOR TEMP	INPUT	OPTIONS	
HZCAS320	HT (AC only)	VLO	DIM (0-10V dimming)	WT50 ² (5000K)	120-277V	BAA (Buy American Act)	
	SA ¹ (AC & EM)	LO				HV ³	EM ⁴ (remote emergency VLO & LO)
		MO					ACCESSORIES
		HO					
				HZPK12 (12" pendant stem)			

NOTE 1: Integral emergency available in MO & HO only

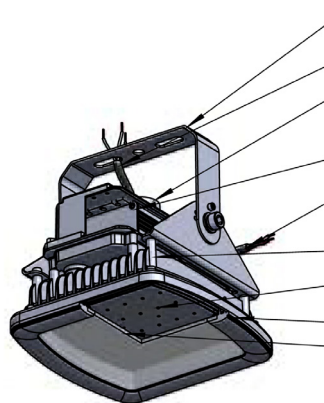
NOTE 2: Other color temperatures available (2200K to 7000K), contact factory

NOTE 3: High voltage option available (200 to 480V), contact factory for lead time

NOTE 4: Remote emergency includes hazardous rated housing, remote mount up to 50 ft

NOTE: Surface/wall mount is standard

DIAGRAM



3mm THICK STEEL MOUNTING BRACKET (ADJUSTABLE) WITH GRAY POWDER COAT FINISH IS STANDARD.

18/3 - CONDUCTOR POWER CORD (AC INPUT); 6FT IN LENGTH.

CAST ALUMINUM DRIVER COMPARTMENT WITH GRAY POWDER COAT FINISH; WITH 3/4 NPT THREADED CONNECTION.

ELECTRONIC 0-10V DIMMING DRIVER FOR 120-277V 50/60Hz (10-100%); OPERATION. (SYSTEM POWER CONSUMPTION 60W & 80W).

18/2-CONDUCTOR LOW VOLTAGE CORD (DIMMING); 6FT IN LENGTH.

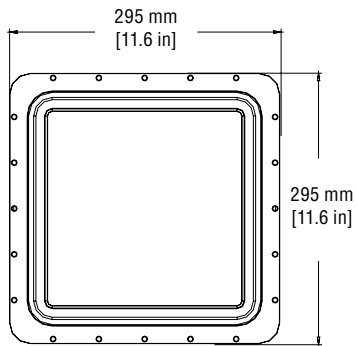
CAST ALUMINUM HEAT SINK WITH GRAY POWDER COAT FINISH.

LED CIRCUIT BOARD.

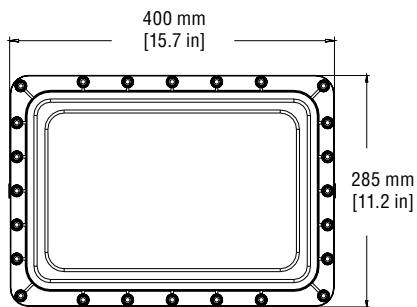
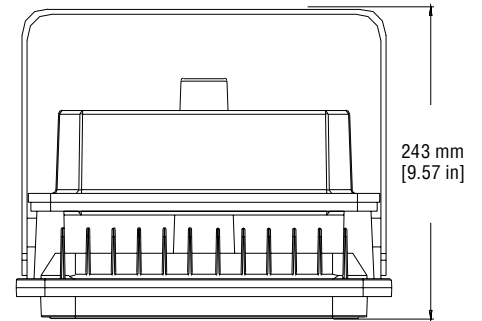
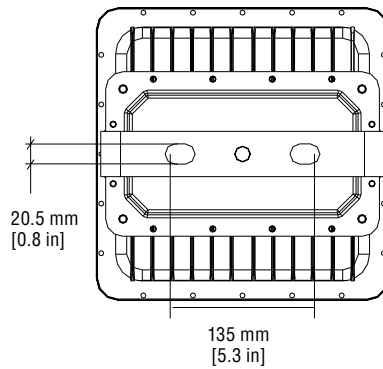
TRIM RING WITH SILVER POWDER COAT FINISH.

8mm THICK TEMPERED GLASS LENS.

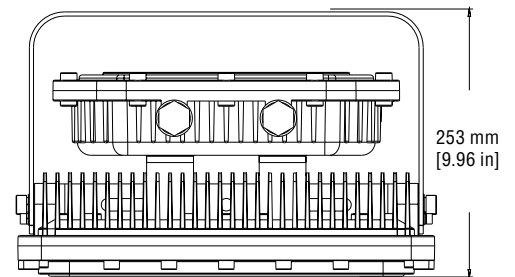
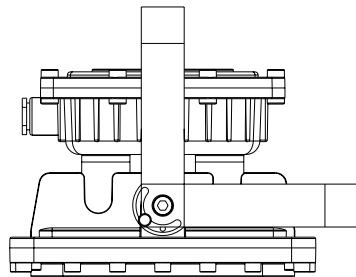
DIMENSIONS



SQUARE



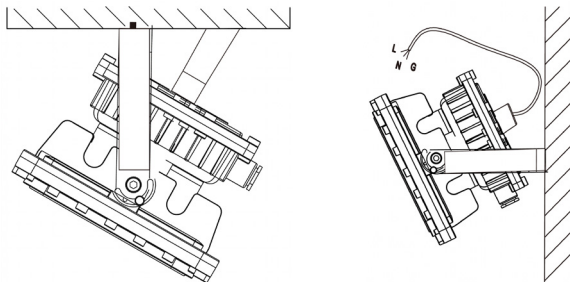
RECTANGLE



MOUNTING OPTIONS

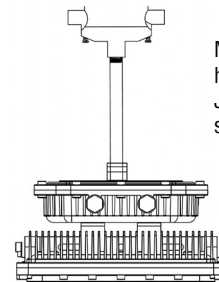
Standard

(surface/wall mount bracket)
(Aimable 90° both sides -22.5° increments.)



Pendant Kit

(HZPK12)



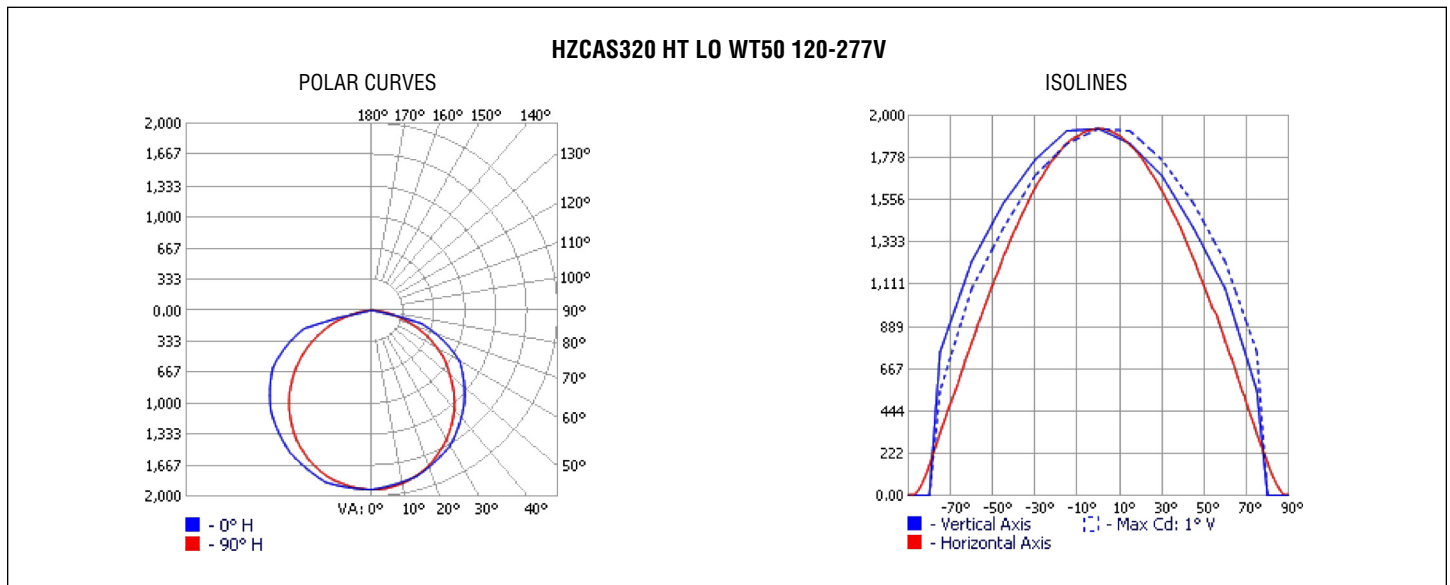
Note: PK does not include hazardous rated J-box. J-box must be ordered separately.

NOTE: Power cord cannot be exposed. Hazardous conduit or hazardous J-box mounting required.

CASTEX 320

ADDITIONAL INFORMATION

PHOTOMETRICS



ENERGY CHART

MODEL (5000K CCT)	EFFICACY	CONSUMPTION WATTAGE	LUMEN OUTPUT	CRI	L70 (HRS) TESTED	L70 (HRS) PROJECTED
HZCAS320 HT VLO	122 lm/W	60	7368 lm	>70	>44,000	>72,000
HZCAS320 HT LO	108 lm/W	80	8704 lm	>70	>44,000	>72,000
HZCAS320 HT MO	128 lm/W	100	12831 lm	>70	>44,000	>72,000
HZCAS320 HT HO	126 lm/W	150	18967 lm	>70	>44,000	>72,000

ELECTRICAL RATING

PRODUCT	NOMINAL POWER (W)	AC CURRENT (A) AC VOLTAGE		FREQUENCY (HZ)	DC VOLTAGE (V)	DC CURRENT (MA)
		120 V	277 V			
HZCAS320 HT VLO	60	0.51	0.22	50/60	48	1250
HZCAS320 HT LO	80	0.68	0.29	50/60	48	1670
HZCAS320 HT MO	100	0.85	0.37	50/60	48	2090
HZCAS320 HT HO	150	1.28	0.55	50/60	48	3130

DIMMER COMPATIBILITY

DIMMER	COMPATIBILITY	
	ON/OFF	DIMMING
LEVITON - AWRMG-7	YES	YES
LUTRON - DIVE - DVSTV	YES	YES

■ **WARRANTY:** 5 years, see website for full warranty details.