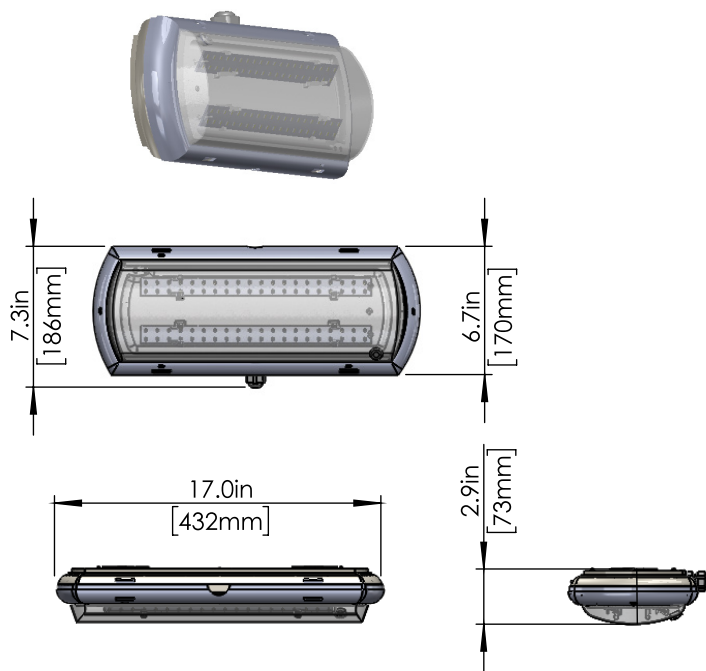


**INSTRUCTIONS
IMPORTANT SAFEGUARDS**

When using electrical equipment, basic safety precautions should always be followed including the following:

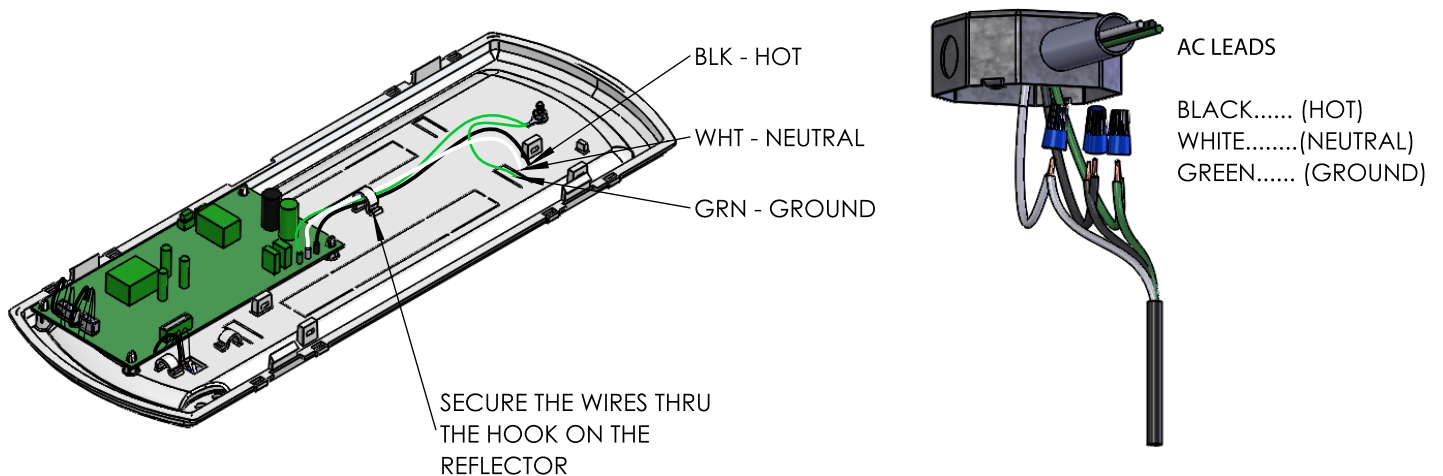
CAUTION! ALWAYS MAKE SURE THE POWER IS TURNED OFF before starting the installation.

1. Measure, locate fixture's position, and mark locations for the brackets.
2. Secure brackets to ceiling as shown below. (HARDWARE BY OTHERS)
3. Wiring fixture to power supply, shall be performed by a certified electrician, and wired in a manner that complies with all local and national electrical codes, as well as the manufacturer's wiring diagram.
4. Proper replacement of a part removed for user maintenance.

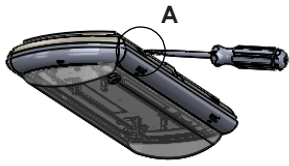


| TEMPESTA HT UNV | |
|------------------------|-----------------------------|
| WATTAGE | 17W |
| VOLTAGE | 120-277V 50/60Hz |
| WET LOCATION | YES |
| OPERATION | HT (AC ONLY) |
| AMBIENT TEMPERATURE HT | -20°C (-4°F) / 40°C (104°F) |
| WEIGHT | 5 lbs |
| DIMENSION | 17.0" X 6.7" X 3.0" |

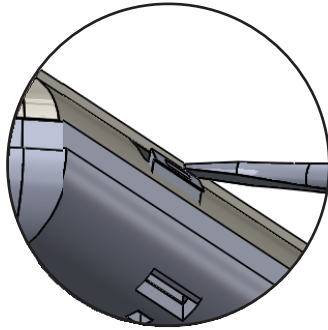
WIRING



REMOVING LENS

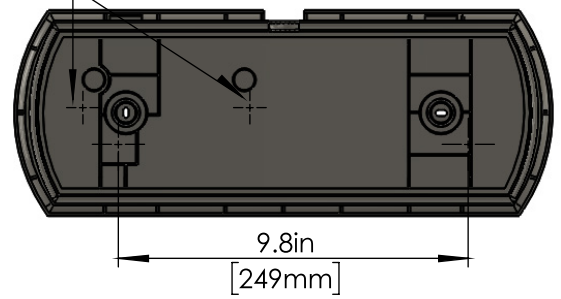


A. Using a flat head screwdriver, push-in to release lock (repeat for 3 other clips).

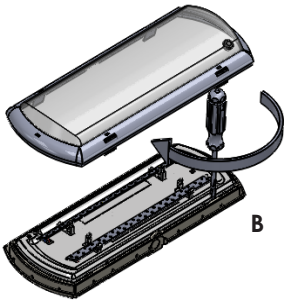


SURFACE MTG.
(HARDWARE BY OTHERS)

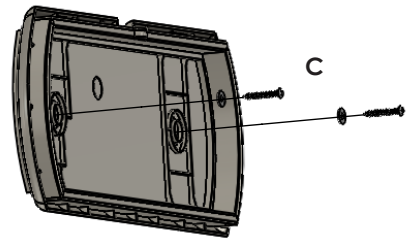
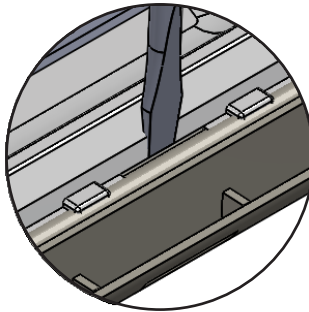
(2) 1/2" TRADE SIZE KNOCK-OUTS



REMOVING ELECTRICAL ASSEMBLY



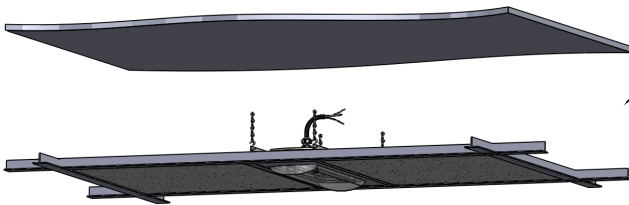
B. Using a flat head screwdriver, twist to release lock (repeat for 3 other clips).



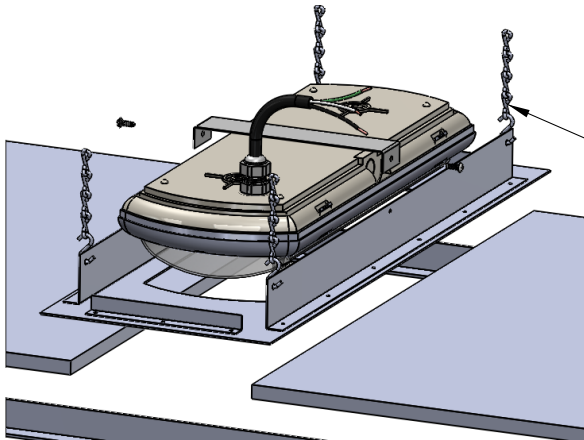
C. Install back plate on the wall at designated location (**hardware by others**).

T BAR MOUNTING (GRID CEILING)

TYPICAL GRID CEILING



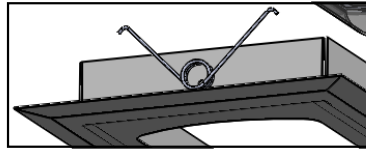
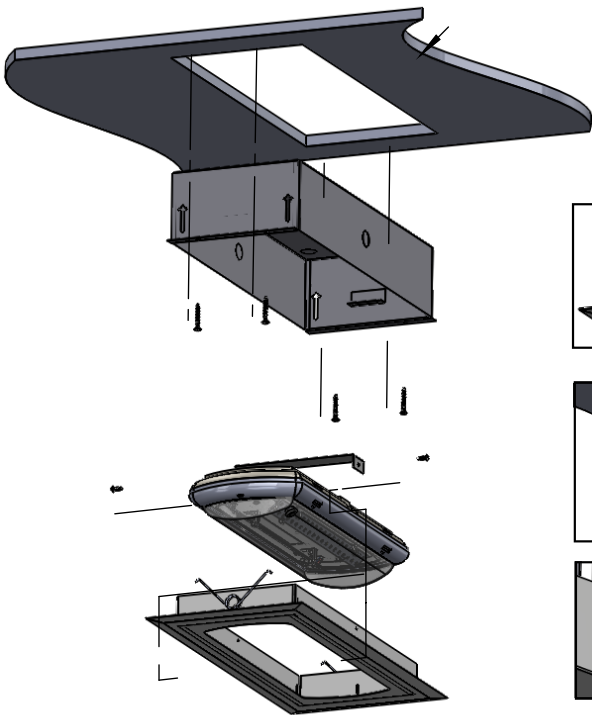
1. DROP THE FIXTURE INSIDE THE TRIM PLATE & SECURE IT WITH THE PROVIDED STRAP AND SCREWS.
2. DROP THE FIXTURE ASSEMBLY ON THE CEILING GRID.
3. CUT THE CEILING PANEL TO SIZE TO FILL-UP THE EMPTY SPACE.



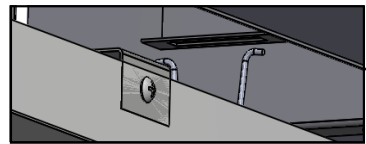
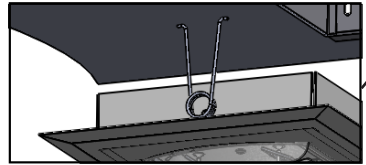
RECOMMEND CHAIN & HOOK ARE USE AS SAFETY DEVICES (**BY OTHERS**)

RECESSED MOUNTING

1. CEILING CUT OUT (SEE BACK BOX DIMENSION).
2. INSTALL BACK BOX AS SHOWN (HARDWARE BY OTHERS).
3. DROP THE FIXTURE INSIDE THE TRIM PLATE & SECURE IT WITH THE PROVIDED STRAP AND SCREWS.

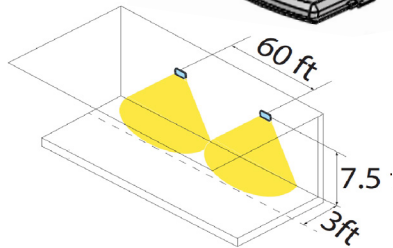
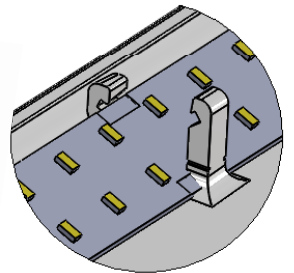
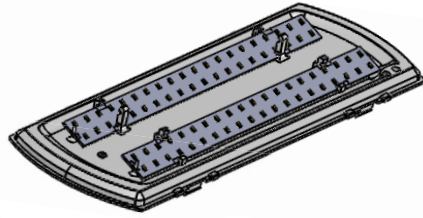
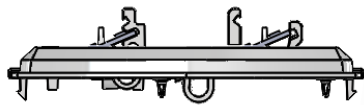
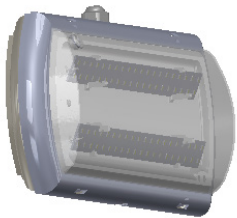


SQUEEZE SPRINGS TO ENGAGE RECTANGULAR HOLE IN THE BACK BOX



RECTANGULAR HOLE ON TAB INSIDE THE BACK BOX

WALL MOUNTING LED POSITION



CEILING MOUNTING LED POSITION

