

INSTALLATION INSTRUCTIONS IMPORTANT SAFEGUARDS

Read & Follow All Safety Instructions

When using electrical equipment, basic safety precautions should always be followed including:

1. Fixtures must be wired in accordance with the National electrical code and all applicable local codes. Proper grounding is required for safety.
2. This product must be installed in accordance with the applicable installation code by a qualified electrician who is familiar with the construction and operation of the product and the hazards involved.
3. Risk of fire or electric shock. High bay light installation requires knowledge of luminaires and electrical systems. If not qualified, DO NOT try to install. Please contact an electrician.
4. Risk of fire or electric shock. Suitable for wet location. Make sure power is off prior to install.
5. Risk of fire or electric shock. Suitable for non-insulated surface and frame. DO NOT cover fixture with insulation liner or similar material.
6. DO NOT install in unstable, loose or breakable surfaces
7. DO NOT let objects impact or exert force on the surface of the fixture

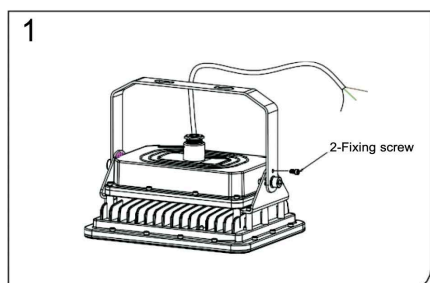
SAVE THESE INSTRUCTIONS!

CEILING MOUNT

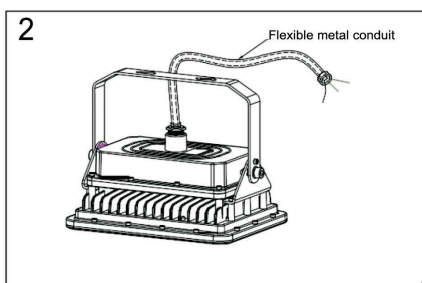


WARNING
RISK OF FIRE, ELECTRIC SHOCK OR PERSONAL INJURY
Before installation, turn power off.

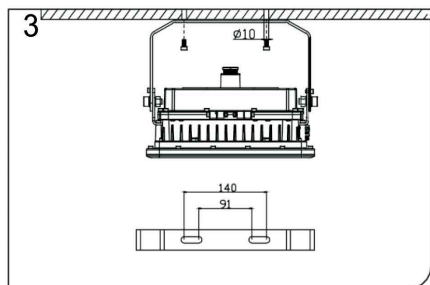
SURFACE



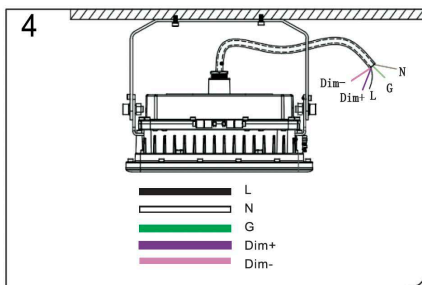
Remove fixture from carton and adjust mounting bracket. Tighten screws to fix bracket position.



Attach flexible mounting conduit to fixture.

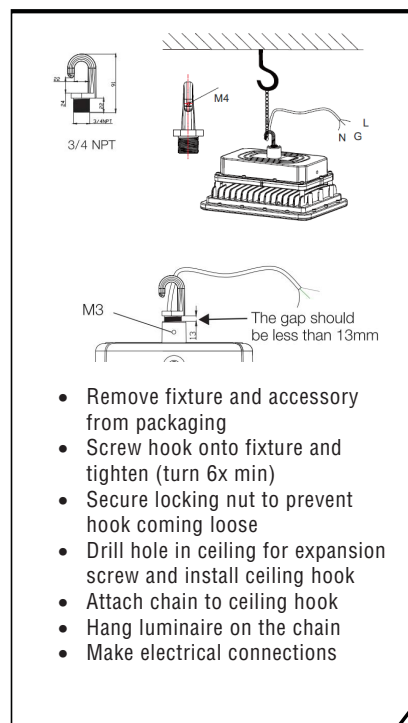


Drill 2 holes, approx 3.5"-5.5" apart (91-140mm). Insert expansion screws (10mm) thru bracket holes to attach to mounting surface.

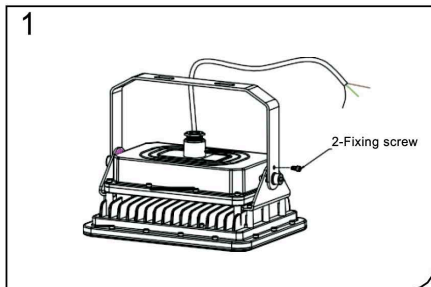


Connect the AC cable to power supply: black to L (line), white to N (neutral) and green to G (ground), purple to Dim+, pink to Dim-.

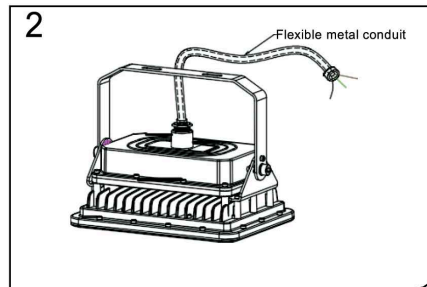
SUSPENSION (HZ HOOK)



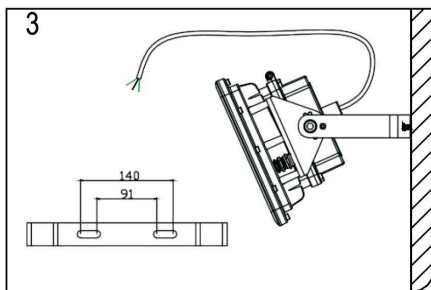
WALL MOUNT



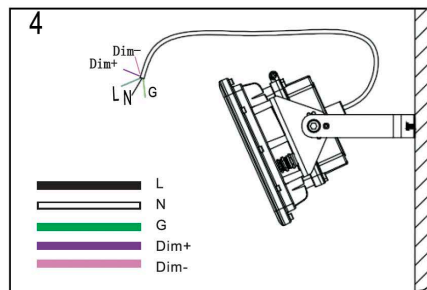
1 Remove fixture from carton and adjust mounting bracket. Tighten screws to fix bracket position.



2 Attach flexible mounting conduit to fixture.



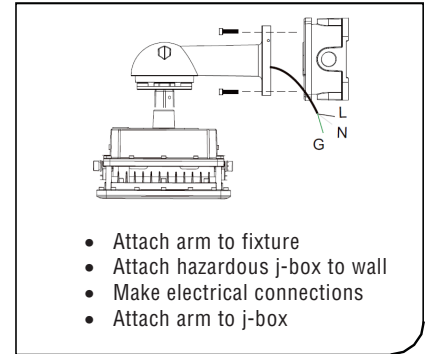
3 Drill 2 holes, 3.5"-5.5" apart (91-140mm). Insert expansion screws (10mm) thru bracket holes to attach to wall. Adjust and fix aiming angle.



4 Connect the AC cable to power supply: black to L (line), white to N (neutral) and green to G (ground), purple to Dim+, pink to Dim-.

ARM MOUNT

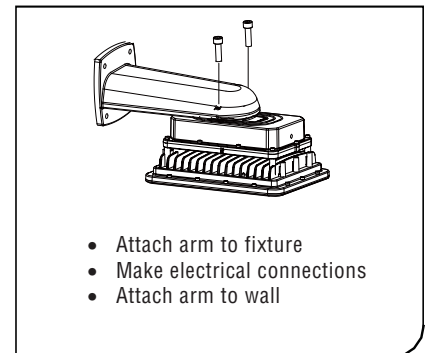
WALL



- Attach arm to fixture
- Attach hazardous j-box to wall
- Make electrical connections
- Attach arm to j-box

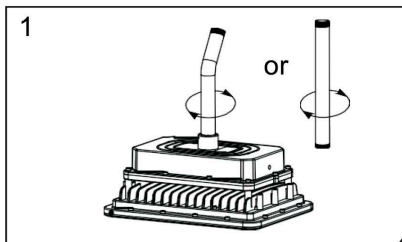
STANCHION MOUNT

WALL

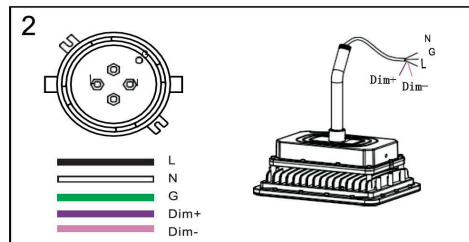


- Attach arm to fixture
- Make electrical connections
- Attach arm to wall

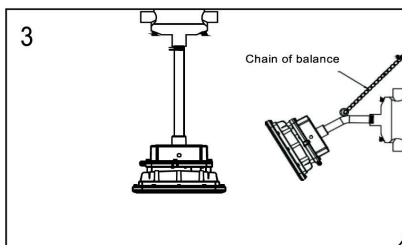
PENDANT MOUNT



1 Remove fixture and accessory from cartons. Attach pendant to fixture as shown.

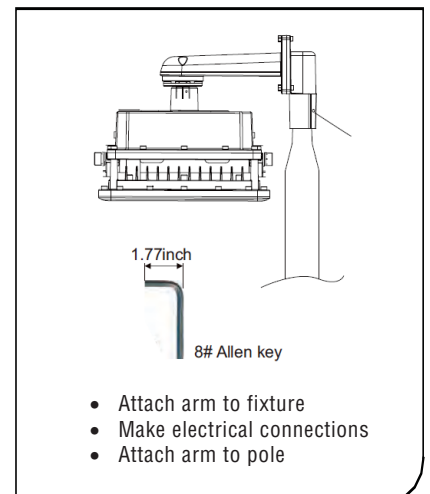


2 Connect the AC cable to power supply: black to L (line), white to N (neutral) and green to G (ground), purple to Dim+, pink to Dim-.



3 Attach pendant to hazardous rated mounting canopy/ j-box.

POLE



- Attach arm to fixture
- Make electrical connections
- Attach arm to pole