

Job/Location: _____

Contractor: _____

Prepared By: _____

Job Type: _____

Date: _____

■ **Installation:** The RSE is designed to be fully recessed into a ceiling or wall. Ideal for running remote loads and maintaining an architectural element.

■ **Lamps:** PAR36 (LR) style heads are standard. PAR18 (SR) style heads are optional. MR16 (BTMR) are also offered. Multiple lamp options are available. The LR and SR head types feature a unique twist locking collar that securely holds the lens and facilitates quick and easy re-lamping.



■ Torsion springs securely hold the RSE cover in place. This eliminates the need for screws and allows for quick and trouble free installation and general maintenance.

■ **Housing:** Durable 20G steel. White powder coat finish is standard, (other colors optional).

■ External test switch and monitor LED are standard.

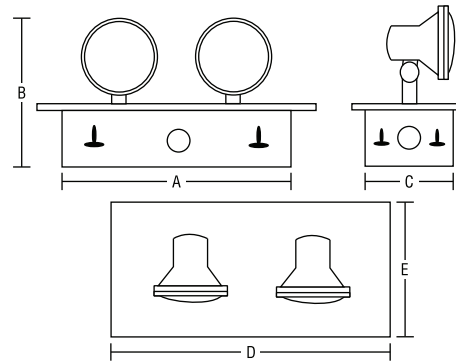
NOTE: 3 year warranty standard, see details on next page.

■ specifications: internal

The RSE is configured with 120/277VAC input with solid state charging circuitry. Standard features include low voltage disconnect, AC lockout and brownout protection.

■ specifications: external

The RSE cabinet is constructed from durable 20 gauge steel. White powder coat finish is standard, (other colors optional). Emergency lighting heads are molded from high impact thermoplastic in a matching color; PAR36 (LR) style heads are standard. PAR18 (SR) style heads are optional. MR16 (BTMR) are also offered. External test switch and monitor LED are standard.



Series	A	B	C	D	E
RSE	10.2"	9.5"	8.1"	13"	9.2"
	259mm	241mm	206mm	330mm	234mm

NOTE: Dimension B (see drawing) will vary based on heads supplied.

■ ordering logic

EXAMPLE: RSE 1227 2BTMR20W

Series	Operation	Pb-A ¹ (Capacity)	Ni-Cd ² (Capacity)	Emergency Heads	Lamps	Voltage	Options
RSE	6 (V)	12 (6V)	22 (6V)	2LR (double PAR36)	See lamp selection	120/277VAC	AT (autotest)
	12 (V)	18 (6V)	42 (6V, 12V)	1LR (single PAR36)	on next page		B (black finish)
		27 (6V, 12V)		0 (no heads)			BZ (buzzer)
	36 (6V, 12V)			2SR (double PAR18)			NC ³ (nickle cadmium battery)
				1SR (single PAR18)		TD ⁴ (time delay - specify 5, 10, 15 min)	
				2BTMR (double, MR16)		TC (teflon coated)	
				1BTMR (single, MR16)			

NOTE 1: Sealed lead calcium.

NOTE 2: Nickel-cadmium. Must select NC from options when selecting Ni-Cd.

NOTE 3: NC (select wattage/voltage from Ni-Cd column).

NOTE 4: Specify AC input voltage. Must specify at time of order, 10 min standard.

■ emergency heads

The RSE is normally supplied with two [2] PAR36 (LR) style heads. PAR18 (SR) style heads are optional, or BTMR white steel heads utilizing MR16 lamps are also available option. The LR and SR head types feature a unique twist locking collar that securely holds the lens and facilitates quick and easy re-lamping.

■ specifications: electrical

BATTERY: The RSE is designed with a maintenance free, sealed valve regulated lead acid battery that provides a minimum emergency duration of 90 minutes. Optional nickel cadmium batteries are available. Recharge time of the battery is twenty-four [24] hours. The operating temperature is from 50°F up to 104°F (10°C up to 45° C).

CIRCUIT: The RSE utilizes a high-efficiency two stage charger providing precise float voltage control with low voltage disconnect protection. The charger also has brownout and short circuit protection. Charger status is easily determined via a dual diagnostic LED display which indicates AC/ON and High Charge. All components used in the circuitry are temperature compensated. An external push button test switch allows maintenance personnel to quickly determine the operational status of the unit and lamp load.

■ specifications: mechanical

Torsion springs firmly hold the RSE cover in place allowing for easy installation and maintenance. Remote lamp loads are connected to the emergency power supply with sturdy terminal connectors. These connectors allow for a large gauge of wire to be used, increasing the flexibility of installation.

■ autotest

The Beghelli Autotest system performs one 5 minute discharge test monthly. Every 6 months two 90 minute discharge tests are performed. This tests both full battery capacity and recharge capability, as required by the fire code. The information is communicated simply and intuitively to maintenance personnel via a single multi-color LED. When the LED is green the unit is functioning normally. If the LED is yellow there is a malfunction in the lamp circuit. A red LED indicates a battery or charger problem, including low battery capacity. The Beghelli Autotest system also includes 0, 5, 10 or 20 minute time Autotest delay function to allow HID lighting restrike.

- Red: Battery or Circuit Malfunction
- Yellow: Lamp Malfunctioning
- Green: Normal Operation

■ lamp selection

	6V	12V
Incandescent	7.2, 9W	9, 12, 18W
Halogen (H)	12W	12, 20W
MR16 LED ⁽¹⁾	5, 7W	2, 5, 7W

[1]NOTE: LED lamps can be installed in SRP & BTMR heads only.

■ model rating guide

Model	Voltage	Wattage			
		90min	120min	180min	240min
RSE 612	6	12	9	6	5
RSE 618	6	18	12	N/A	N/A
RSE-6-22-NC	6	22	17	11	9
RSE-6-27	6	27	20	N/A	N/A
RSE-6-36	6	36	27	18	14
RSE-6-42-NC	6	42	32	21	16
RSE-12-27	12	27	20	14	10
RSE-12-36	12	36	24	18	12
RSE-12-42-NC	12	42	32	21	16

■ warranty

The RSE comes with a 3-year factory warranty. Lamps are not covered under the warranty. Deliberate damage, misuse, improper installation effectively cancel the warranty.