

# BOXLED® MINI



## LOWBAY

- **BOXLED®MINI** Lowbay luminaire for commercial and industrial applications.
- **OPTICS:** Polished aluminum reflector with symmetric or asymmetric distribution. Unit can be field changed from symmetric to asymmetric. 4mm thick prismatic tempered glass lens provides optimized light distribution for a visually comfortable and glare free environment.
- The **BOXLED® MINI** is a wet location, IP66, NEMA 4X rated luminaire. Heavy duty die-cast aluminum construction provides corrosion, flame and chemical resistance. The 3G rating makes this ideal for constant vibration applications.
- **PERFORMANCE:**
  - LO:** 2,084 up to 2,257 lm
  - MO:** 3,074 up to 3,328 lm
  - HO:** 4,051 up to 4,387 lm
- **OPERATING TEMP:**
  - HT (AC Only) -22°F to 104°F (-30°C to 40°C)
- **WEIGHT:** 2.6 lbs / 1.17 kg



**APPLICATION:** The **BOXLED® MINI** is ideal for damp or wet installations including loading docks, signage, car wash, agriculture, service corridors, landscape and marinas.

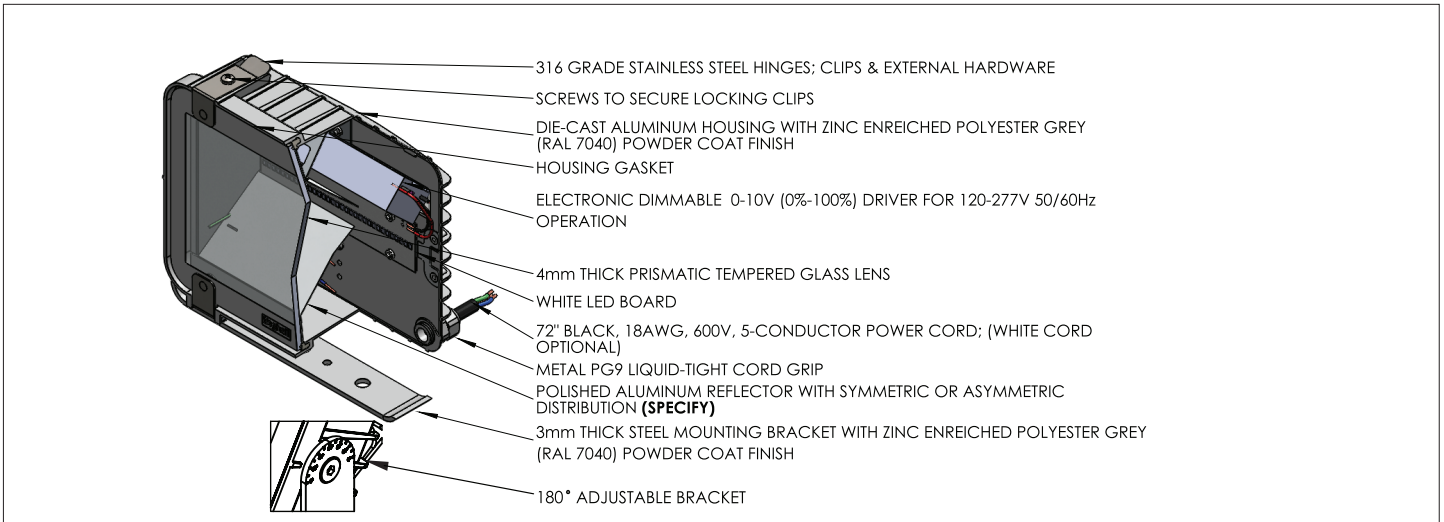
### CONFIGURATIONS

MODEL	OPERATION	OUTPUT	DISTRIBUTION	COLOR TEMP	INPUT	MOUNTING	OPTIONS
BL716LED	HT	LO	SYM <sup>1</sup> (symmetric)	WT30 (3000K)	120-277V	SM <sup>2</sup> (surface mount)	FP (fuse protection - 3A)
		MO	ASY <sup>1</sup> (asymmetric)	WT40 (4000K)		AC <sup>3</sup> (aviation cable)	LOG <sup>6</sup> (logica wireless solutions)
		HO		WT50 (5000K)		CH <sup>4</sup> (chain hang kit)	SP (surge protector - 10KA)
						PK <sup>5</sup> (pendant kit)	
						SVLPK <sup>5</sup> (swivel pendant kit)	
						HK (hook mount)	

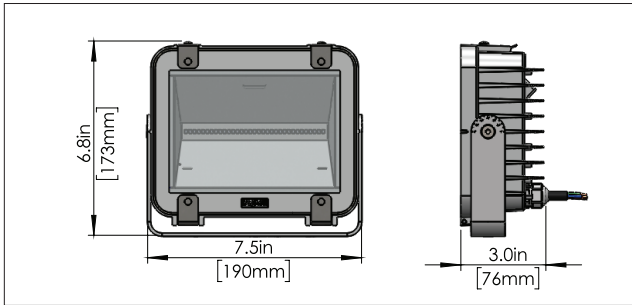
NOTE 1: Both symmetric & asymmetric reflectors included for in-field distribution changes.  
 NOTE 2: Surface mount is standard.  
 NOTE 3: Specify length for AC: 50", 72", 100", 150", 250"; otherwise field adjustable.  
 NOTE 4: Specify length for CH: 12", 24", 36", 48", specify for others.

NOTE 5: Specify length for PK: 12" 24", 48", specify for others.  
 NOTE 6: Logica (Beggelli wireless and powerless control solutions). Contact factory for more details.

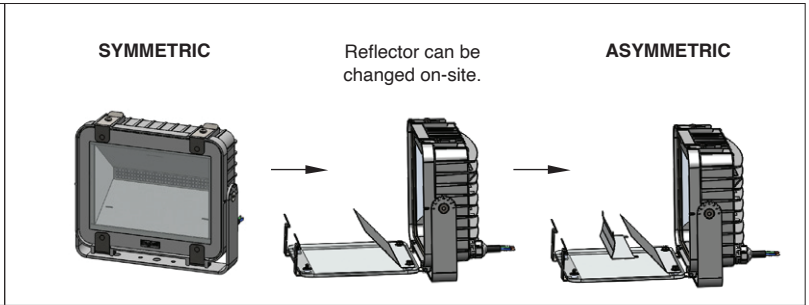
### TECHNICAL INFORMATION



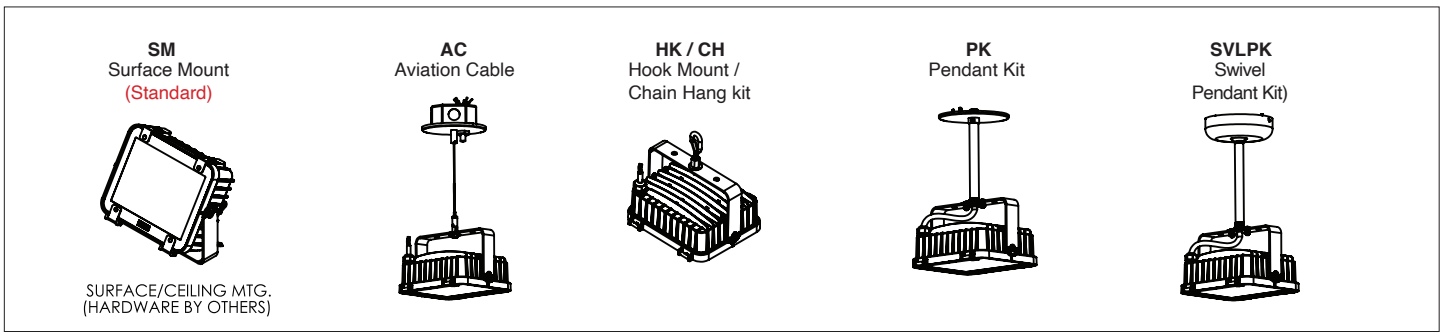
**DIMENSIONS**



**DISTRIBUTION**



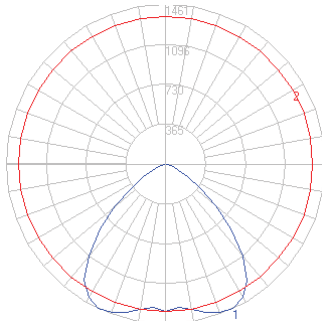
**MOUNTING OPTIONS**



**PHOTOMETRICS**

BL716LEDHTLOWT40120-277V/347V/480V

POLAR CURVES

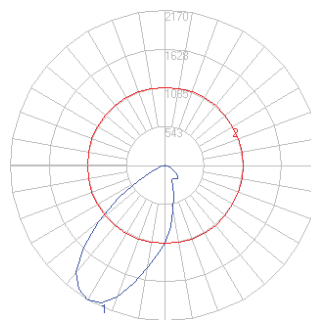


**Characteristics**

Electronic driver	N.A. (absolute)
LED 4000°K	N.A. (absolute)
Lumens Per Lamp	3200
Total Lamp Lumens	30
Luminaire Lumens	1.00
Total Luminaire Efficiency	Direct
Luminaire Efficacy Rating (LER)	Rectangular
Total Luminaire Watts	0.53 ft
Ballast Factor	0.61 ft
CIE Type	0.24 ft
Basic Luminous Shape	
Luminous Length (0-180)	
Luminous Width (90-270)	
Luminous Height	

BL716LEDHTHOASYWT40120-277V/347V/480V

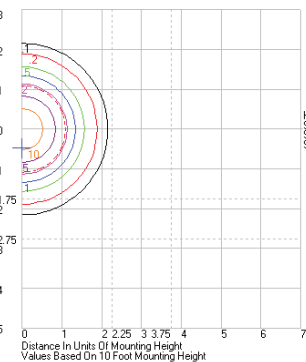
POLAR CURVES



**Characteristics**

Electronic driver	N.A. (absolute)
LED 4000°K	N.A. (absolute)
Lumens Per Lamp	2971
Total Lamp Lumens	2971
Luminaire Lumens	99
Total Luminaire Efficiency	30
Luminaire Efficacy Rating (LER)	1.00
Total Luminaire Watts	Direct
Ballast Factor	Rectangular
CIE Type	0.53 ft
Basic Luminous Shape	0.61 ft
Luminous Length (0-180)	0.24 ft
Luminous Width (90-270)	
Luminous Height	

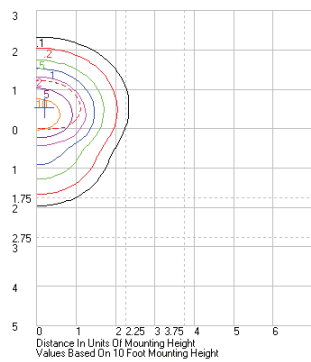
ISOLINES



**Zonal Lumen Summary**

Zone	Lumens	%Lamp	%Fixt
0-20	526.33	N.A.	16.40
0-30	1195.42	N.A.	37.40
0-40	1896.48	N.A.	59.25
0-60	3010.2	N.A.	94.10
0-80	3193.54	N.A.	99.80
0-90	3200.48	N.A.	100.00
10-90	3072.92	N.A.	96.00
20-40	1470.15	N.A.	45.90
20-50	2123.69	N.A.	66.40
40-70	1154.63	N.A.	36.10
60-80	183.34	N.A.	5.70
70-80	42.43	N.A.	1.30
80-90	6.95	N.A.	0.20
90-110	0.01	N.A.	0.00
90-120	0.01	N.A.	0.00
90-130	0.01	N.A.	0.00
90-150	0.01	N.A.	0.00
90-180	0.01	N.A.	0.00
110-180	0.00	N.A.	0.00
0-180	3200.49	N.A.	100.00

ISOLINES



**Zonal Lumen Summary**

Zone	Lumens	%Lamp	%Fixt
0-20	408.85	N.A.	13.80
0-30	928.07	N.A.	31.20
0-40	1608.2	N.A.	54.10
0-60	2727.79	N.A.	91.80
0-80	2963.13	N.A.	99.70
0-90	2971.05	N.A.	100.00
10-90	2869.42	N.A.	96.60
20-40	1199.36	N.A.	40.40
20-50	1874.04	N.A.	63.10
40-70	1302.53	N.A.	43.80
60-80	235.34	N.A.	7.90
70-80	52.40	N.A.	1.80
80-90	7.92	N.A.	0.30
90-110	0.01	N.A.	0.00
90-120	0.01	N.A.	0.00
90-130	0.01	N.A.	0.00
90-150	0.01	N.A.	0.00
90-180	0.01	N.A.	0.00
110-180	0.00	N.A.	0.00
0-180	2971.06	N.A.	100.00

# BOXLED® MINI

ADDITIONAL INFORMATION

## ELECTRICAL RATING

PRODUCT	NOMINAL POWER (W)	AC CURRENT (A)		FREQUENCY (HZ)	DC VOLTAGE (V)	DC CURRENT (MA)
		120V	277V			
BL716LED-HT-LO	20	0.17	0.07	50/60	35	500
BL716LED-HT-MO	30	0.26	0.26	50/60	37	700
BL716LED-HT-HO	40	0.34	0.34	50/60	33	1000

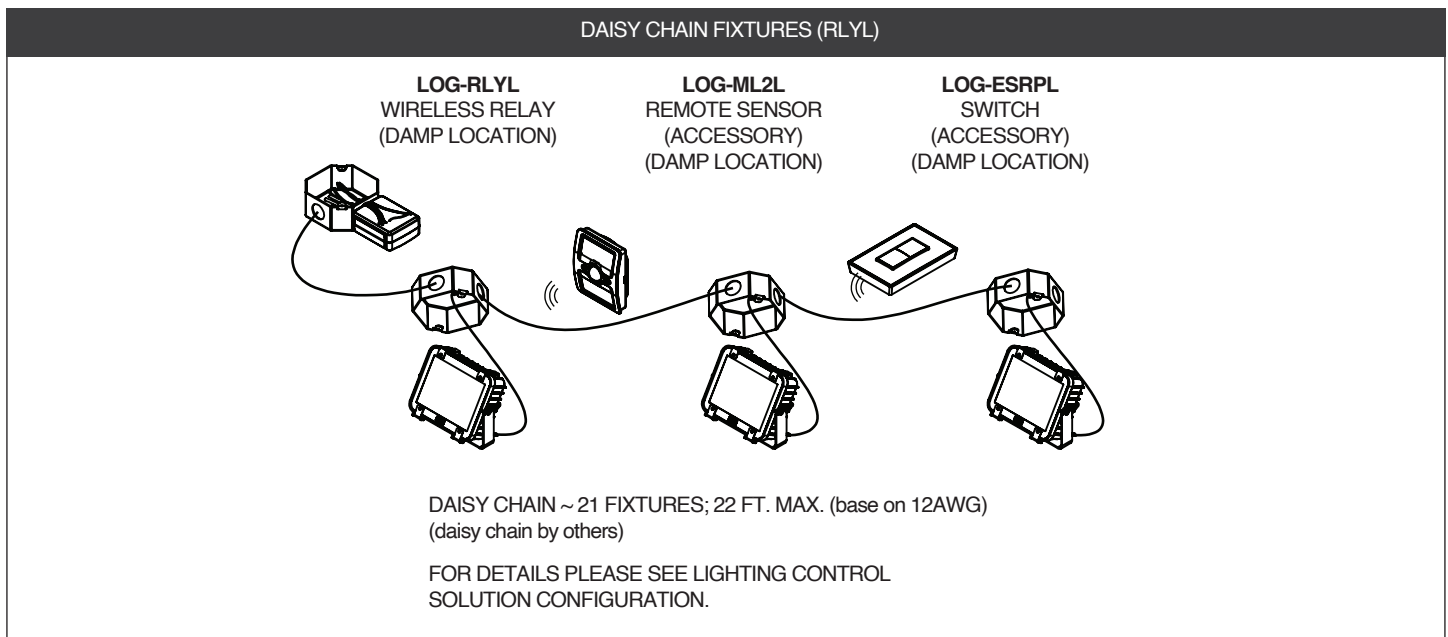
## DIMMER COMPATIBILITY

DIMMER	COMPATABILITY	
	ON / OFF	DIMMING
LEVITON - AWRMG - 7	YES	YES
LUTRON - DIVE - DVSTV	YES	YES
LUTRON - DIVE - DVTV	YES	YES
WATT STOPPER DCLV1	YES	YES

## ENERGY CHART

MODEL	EFFICACY	CONSUMPTION WATTAGE	LUMEN OUTPUT	CRI	L70 (hrs.)
BL716LED-HT-LO-WT30-120-277V	104 lm/W	20	2084	>80	>60,000
BL716LED-HT-LO-WT40-120-277V	109 m/W	20	2170	>80	>60,000
BL716LED-HT-LO-WT50-120-277V	113 lm/W	20	2257	>80	>60,000
BL716LED-HT-MO-WT30-120-277V	102 lm/W	30	3074	>80	>60,000
BL716LED-HT-MO-WT40-120-277V	107 lm/W	30	3200	>80	>60,000
BL716LED-HT-MO-WT50-120-277V	111 lm/W	30	3328	>80	>60,000
BL716LED-HT-HO-WT30-120-277V	101 lm/W	40	4051	>80	>60,000
BL716LED-HT-HO-WT40-120-277V	105 lm/W	40	4051	>80	>60,000
BL716LED-HT-HO-WT50-120-277V	110 lm/W	40	4387	>80	>60,000

## LOGICA (WIRELESS & POWERLESS LIGHTING CONTROL SOLUTIONS)



■ **WARRANTY:** 5 year warranty, see website for full warranty details.