

Model: _____
 Job Name: _____
 Type: _____
 Date: _____



Most economical and versatile LED exit sign in a single SKU: red and green letters, single and double panels and universal mounting - Ideal for use on any job, big or small

A Beghelli "Every Project" Solution

■ specifications: internal

- Ultra bright, energy efficient, long life LED
- Dual 120/277V
- 1.2V Long life, maintenance-free, rechargeable Ni-Cd battery
- Internal solid-state transfer switch automatically connects the internal battery to LED board for minimum 90-minute emergency illumination
- Fully automatic solid-state, two rate charger initiates battery charging to recharge a discharged battery in 24 hours
- Charge rate/power "ON" LED indicator light and push-to-test switch for mandated code compliance testing

■ specifications: external

- Injection-molded, engineering grade, 5VA flame retardant, high-impact resistant, thermoplastic in standard white finish, black finish is optional
- Architectural curved face with rounded corner design
- Field selectable chevrons

■ universal mounting

- Quick-mount canopy included for top or end mount
- Universal knockout pattern on back plate for wall mount

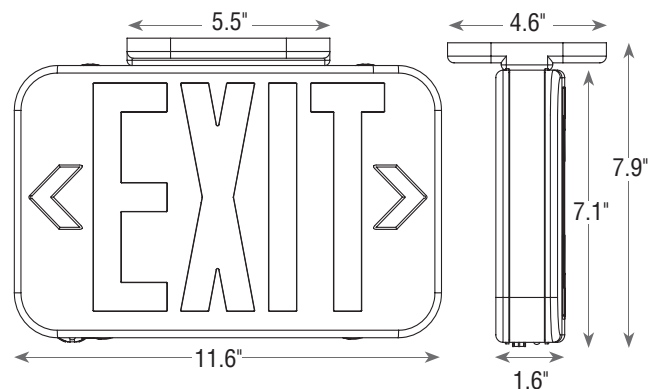
■ weight: 1.3lb

■ ordering logic

EXAMPLE: EPXHT

Model	Operation	Options
EPX	HT (AC only)	ATG (autotest with green letters only)
	SA (AC & EM)	ATR (autotest with red letters only)
		B (black housing)
		SW ¹ (special wording)
		USA ² (assembled in USA)

■ dimensions



■ autotest option (SA operation only)

- Autotest performs monthly, bi-annual and annual testing per code
- Available only in dedicated Red or dedicated Green letter models
- Universal 120-277V

■ certifications & warranty

- 5 year warranty on unit, battery prorated for 5 years
- UL Listed for Damp Locations (0°C – 40°C)
- Meets UL924, NFPA 101 Life Safety Code, NEC, OSHA, Local and State Codes
- Certified to CEC Title 20

WIREGUARD ACCESSORIES
WG10DX19LX7WWHT (surface ceiling mount, white)
WG6DX16.5LX14WWHT (surface wall mount, white)
WG14.5DX12.5LX6.5WWHT (surface end mount, white)

NOTE: EPX exit includes single and double panels, red and green letters, and universal mounting in a single SKU (AT option is dedicated red or green letters)

NOTE 1: Custom signs available, including SALIDA (consult factory)

NOTE 2: Substantial transformation assembly in the U.S. complies with "Assembled in USA" under the Buy American Act