

# MPLSEL



## LARGE LED AREA/ FLOOD LIGHTS

- The **MPLSEL** area/ flood family is available in 2 high-efficacy outputs with field selectable color temperatures and IES Type III and Type V distributions
- **CCT:** Field selectable 3000K/ 4000K/ 5000K
- **LUMENS:** MPLSEL25: 15K/ 20K/ 25K lm  
MPLSEL40: 30K/ 35K/ 40K lm
- **TM21:** Long-life LEDs provide calculated L70 = 162,000 hours
- **HOUSING:** Die-cast aluminum housing in a dark bronze finish
- **LENS:** Gasketed IK08 rated polycarbonate lens in IES type III and type V distributions
- **INPUT:** Universal 120-277VAC (50-60Hz); 277-480V optional
- **POWER FACTOR:** > 0.90
- **DIMMING:** 0-10VDC standard
- **TOTAL HARMONIC DISTORTION:** < 20%
- **CRI:** > 80
- **OPERATING TEMP:** -40°C to 50°C (-40°F to 122°F)
- **MOUNTING & ACCESSORIES:**
  - MOUNTS MUST BE ORDERED SEPARATELY
  - Mounting accessories include: straight arm, adjustable arm, slipfitter, yoke and trunnion (consult factory for additional mounting accessories)
  - NEMA 3-pin photocell for dusk-to-dawn operation



- **APPLICATION:** The **MPLSEL** area and flood lighting family is ideal to illuminate parking areas, pathways, walkways, parks, building facades, monuments, security, signage, loading docks and a wide variety of other large, general site lighting applications.
- **CERTIFICATIONS:**
  - UL Listed for Wet Locations
  - DLC 5.1 PREMIUM
  - IP65 rated ingress protection
  - Complies with FCC Part 15, class A
  - Input transient surge protection 6kV
  - IK08 rated lens for protection from external impact
  - Rated for 3G vibration
- **WARRANTY:** 5 years

## ORDERING INFORMATION

Example: **MPLSEL40HTT3**

MODEL	MAX OUTPUT	OPERATION	DISTRIBUTION	OPTIONS	MOUNTING ACCESSORIES <sup>1</sup>
MPLSEL	25 (25K lm)	HT (AC)	T3 (type III)	P3 (NEMA 3-pin PC receptacle)	MPLSA (straight arm)
	40 (40K lm)		T5 (type V)	HV (277-480V input)	MPLSAA (adjustable arm)
					MPLSSF (slipfitter)
					MPLSTM (trunnion mount)
					MPLSYK (yoke mount)
					<b>ACCESSORIES</b>
					NEMA3PC (NEMA 3-pin photocell, IP65)

**NOTE 1:** Mounting not included with fixture, **mounting accessory must be ordered separately**

## ELECTRICAL DATA

MPLSEL25 (120-277V)	Measurements	Low Lumens			Mid Lumens			High Lumens		
		3000K	4000K	5000K	3000K	4000K	5000K	3000K	4000K	5000K
T3	Lumens	14,649	16,173	15,115	20,273	22,824	20,939	24,056	26,598	24,591
	Watts	101	100	102	150	146	152	186	178	187
	Efficacy	145	162	148	135	156	138	130	150	131
	Input Current (A)	120V = 0.84A	120V = 0.83A	120V = 0.85A	120V = 1.25A	120V = 1.22A	120V = 1.27A	120V = 1.55A	120V = 1.48A	120V = 1.56A
240V = 0.42A		240V = 0.42A	240V = 0.43A	240V = 0.63A	240V = 0.61A	240V = 0.63A	240V = 0.78A	240V = 0.74A	240V = 0.78A	
277V = 0.36A		277V = 0.36A	277V = 0.37A	277V = 0.54A	277V = 0.53A	277V = 0.55A	277V = 0.67A	277V = 0.64A	277V = 0.68A	
T5	Lumens	15,049	16,748	15,656	20,616	23,398	21,498	24,156	26,788	25,153
	Watts	101	100	102	150	145	151	186	178	187
	Efficacy	149	167	154	137	161	142	130	150	134
	Input Current (A)	120V = 0.84A	120V = 0.83A	120V = 0.85A	120V = 1.25A	120V = 1.21A	120V = 1.26A	120V = 1.55A	120V = 1.48A	120V = 1.56A
240V = 0.42A		240V = 0.42A	240V = 0.43A	240V = 0.63A	240V = 0.60A	240V = 0.63A	240V = 0.78A	240V = 0.74A	240V = 0.78A	
277V = 0.36A		277V = 0.36A	277V = 0.37A	277V = 0.54A	277V = 0.52A	277V = 0.55A	277V = 0.67A	277V = 0.64A	277V = 0.68A	

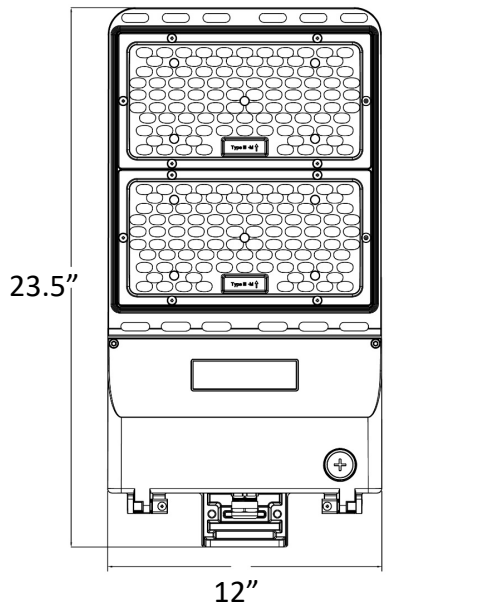
MPLSEL40 (120-277V)	Measurements	Low Lumens			Mid Lumens			High Lumens		
		3000K	4000K	5000K	3000K	4000K	5000K	3000K	4000K	5000K
T3	Lumens	28,924	32,211	30,104	33,874	37,248	35,140	40,091	44,173	41,188
	Watts	204	198	204	248	232	247	303	284	303
	Efficacy	142	163	148	137	160	142	132	156	136
	Input Current (A)	120V = 1.70A	120V = 1.65A	120V = 1.70A	120V = 2.07A	120V = 1.93A	120V = 2.06A	120V = 2.53A	120V = 2.37A	120V = 2.53A
240V = 0.85A		240V = 0.82A	240V = 0.85A	240V = 1.03A	240V = 0.97A	240V = 1.03A	240V = 1.26A	240V = 1.18A	240V = 1.26A	
277V = 0.74A		277V = 0.71A	277V = 0.74A	277V = 0.90A	277V = 0.84A	277V = 0.89A	277V = 1.09A	277V = 1.03A	277V = 1.09A	
T5	Lumens	29,447	33,006	30,873	34,329	37,862	35,862	39,723	44,079	41,462
	Watts	204	197	203	247	231	246	298	283	297
	Efficacy	144	168	152	139	164	146	133	156	140
	Input Current (A)	120V = 1.70A	120V = 1.64A	120V = 1.69A	120V = 2.06A	120V = 1.93A	120V = 2.05A	120V = 2.48A	120V = 2.36A	120V = 2.48A
240V = 0.85A		240V = 0.82A	240V = 0.85A	240V = 1.03A	240V = 0.96A	240V = 1.03A	240V = 1.24A	240V = 1.18A	240V = 1.24A	
277V = 0.74A		277V = 0.71A	277V = 0.73A	277V = 0.89A	277V = 0.83A	277V = 0.89A	277V = 1.08A	277V = 1.02A	277V = 1.07A	

## ELECTRICAL DATA

MPLSEL25 (277-480V)	Measurements	Low Lumens			Mid Lumens			High Lumens		
		3000K	4000K	5000K	3000K	4000K	5000K	3000K	4000K	5000K
<b>T3</b>	Lumens	<b>13,690</b>	<b>14,765</b>	<b>14,335</b>	<b>20,219</b>	<b>22,312</b>	<b>21,049</b>	<b>24,196</b>	<b>26,737</b>	<b>24,925</b>
	Watts	99	96	100	153	149	155	192	183	193
	Efficacy	139	154	143	132	150	135	126	146	129
	Input Current (A)	277V = 0.36A	277V = 0.35A	277V = 0.36A	277V = 0.55A	277V = 0.54A	277V = 0.56A	277V = 0.69A	277V = 0.66A	277V = 0.70A
347V = 0.29A		347V = 0.28A	347V = 0.29A	347V = 0.44A	347V = 0.43A	347V = 0.45A	347V = 0.55A	347V = 0.53A	347V = 0.56A	
480V = 0.21A		480V = 0.20A	480V = 0.21A	480V = 0.32A	480V = 0.31A	480V = 0.32A	480V = 0.40A	480V = 0.38A	480V = 0.40A	
<b>T5</b>	Lumens	<b>13,916</b>	<b>14,870</b>	<b>14,480</b>	<b>20,405</b>	<b>22,381</b>	<b>21,093</b>	<b>24,505</b>	<b>26,840</b>	<b>25,382</b>
	Watts	98	95	99	152	147	153	192	183	193
	Efficacy	142	157	147	134	153	138	128	147	131
	Input Current (A)	277V = 0.35A	277V = 0.34A	277V = 0.36A	277V = 0.55A	277V = 0.53A	277V = 0.55A	277V = 0.69A	277V = 0.66A	277V = 0.70A
347V = 0.28A		347V = 0.27A	347V = 0.29A	347V = 0.44A	347V = 0.42A	347V = 0.44A	347V = 0.55A	347V = 0.53A	347V = 0.56A	
480V = 0.20A		480V = 0.20A	480V = 0.21A	480V = 0.32A	480V = 0.31A	480V = 0.32A	480V = 0.40A	480V = 0.38A	480V = 0.40A	

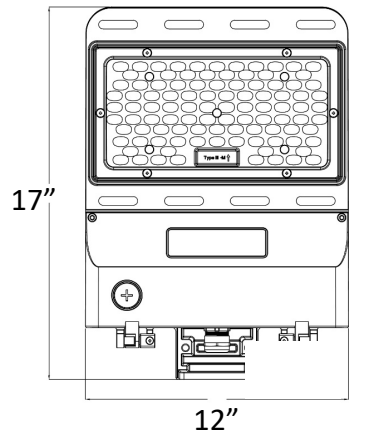
MPLSEL40 (277-480V)	Measurements	Low Lumens			Mid Lumens			High Lumens		
		3000K	4000K	5000K	3000K	4000K	5000K	3000K	4000K	5000K
<b>T3</b>	Lumens	<b>28,485</b>	<b>31,402</b>	<b>29,907</b>	<b>33,629</b>	<b>36,449</b>	<b>35,047</b>	<b>39,660</b>	<b>43,432</b>	<b>40,963</b>
	Watts	203	198	202	246	236	246	297	283	296
	Efficacy	140	159	148	137	154	142	133	154	138
	Input Current (A)	277V = 0.73A	277V = 0.71A	277V = 0.73A	277V = 0.89A	277V = 0.85A	277V = 0.89A	277V = 1.07A	277V = 1.02A	277V = 1.07A
347V = 0.59A		347V = 0.57A	347V = 0.58A	347V = 0.71A	347V = 0.68A	347V = 0.71A	347V = 0.86A	347V = 0.82A	347V = 0.85A	
480V = 0.42A		480V = 0.41A	480V = 0.42A	480V = 0.51A	480V = 0.49A	480V = 0.51A	480V = 0.62A	480V = 0.59A	480V = 0.62A	
<b>T5</b>	Lumens	<b>28,731</b>	<b>31,840</b>	<b>30,214</b>	<b>33,918</b>	<b>36,884</b>	<b>35,413</b>	<b>39,890</b>	<b>44,057</b>	<b>41,651</b>
	Watts	202	197	202	246	235	246	302	283	299
	Efficacy	142	161	150	138	157	144	132	156	139
	Input Current (A)	277V = 0.73A	277V = 0.71A	277V = 0.73A	277V = 0.89A	277V = 0.85A	277V = 0.89A	277V = 1.09A	277V = 1.02A	277V = 1.08A
347V = 0.58A		347V = 0.57A	347V = 0.58A	347V = 0.71A	347V = 0.68A	347V = 0.71A	347V = 0.87A	347V = 0.82A	347V = 0.86A	
480V = 0.42A		480V = 0.41A	480V = 0.42A	480V = 0.51A	480V = 0.49A	480V = 0.51A	480V = 0.63A	480V = 0.59A	480V = 0.62A	

## DIMENSIONS



**MPLSEL40**

WEIGHT: 13.6 LBS



**MPLSEL25**

WEIGHT: 8.9 LBS

## EFFECTIVE PROJECTED AREAS (EPAs)

### MPLSEL25

Front = 1.4 ft<sup>2</sup>

Side = 0.5 ft<sup>2</sup>

Face = 0.3 ft<sup>2</sup>

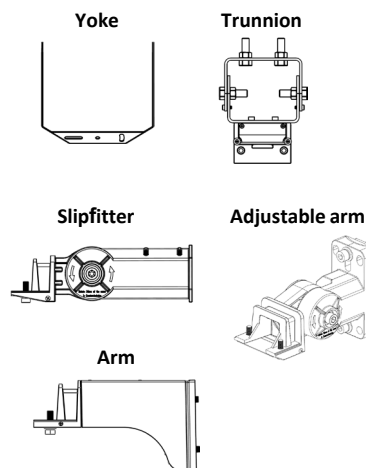
### MPLSEL40

Front = 2.0 ft<sup>2</sup>

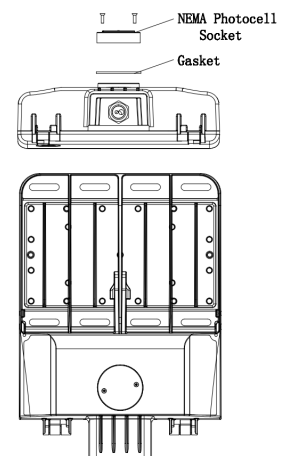
Side = 0.7 ft<sup>2</sup>

Face = 0.3 ft<sup>2</sup>

## MOUNTING ACCESSORIES



## NEMA PHOTOCELL



Note: Consult factory for for additional mounting accessories including wall brackets, tenons and bullhorns

## PHOTOMETRICS

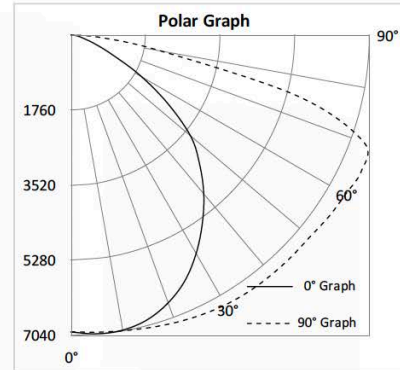
### MPLSEL25

#### Luminaire Data

Description	Multi Purpose Area Light: 5000K, T3
Total Lumens	24,601
Input Wattage	187
Efficacy (lm/W)	131
Max. Cd.	7588.58 (90H, 67V)
IES Classification	Type III
Longitudinal Classification	Medium

#### Luminaire Classification Systems (LCS)

LCS Zone	Lumens	%Lum
FL 0-30	2,904	11.8%
FM 30-60	6,494	26.4%
FH 60-80	3,240	13.2%
FVH 80-90	323	1.3%
BL 0-30	2,684	10.9%
BM 30-60	5,794	23.6%
BH 60-80	2,933	11.9%
BVH 80-90	229	0.9%
UL 90-100	0	0.0%
UH 100-180	0	0.0%
<b>Total</b>	<b>24,601</b>	<b>100.0%</b>
BUG Rating	B4-U0-G4	



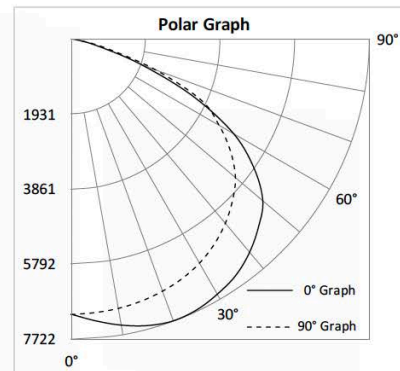
### MPLSEL25

#### Luminaire Data

Description	Multi Purpose Area Light: 5000K, T5
Total Lumens	25,157
Input Wattage	187
Efficacy (lm/W)	135
Max. Cd.	7742.22 (337.5H, 22V)
IES Classification	Type VS
Longitudinal Classification	Very Short

#### Luminaire Classification Systems (LCS)

LCS Zone	Lumens	%Lum
FL 0-30	3,101	12.3%
FM 30-60	7,290	29.0%
FH 60-80	2,486	9.9%
FVH 80-90	42	0.2%
BL 0-30	2,784	11.1%
BM 30-60	6,505	25.9%
BH 60-80	2,884	11.5%
BVH 80-90	66	0.3%
UL 90-100	0	0.0%
UH 100-180	0	0.0%
<b>Total</b>	<b>25,157</b>	<b>100.0%</b>
BUG Rating	B4-U0-G2	



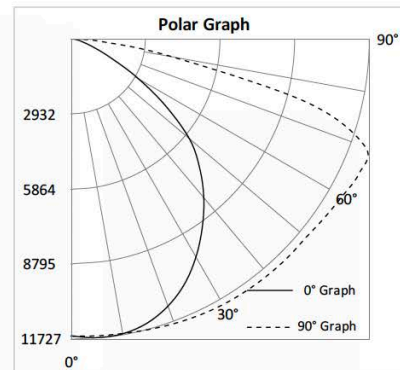
### MPLSEL40

#### Luminaire Data

Description	Multi Purpose Area Light: 5000K, T3
Total Lumens	41,239
Input Wattage	302
Efficacy (lm/W)	136
Max. Cd.	12840.24 (270H, 67V)
IES Classification	Type III
Longitudinal Classification	Medium

#### Luminaire Classification Systems (LCS)

LCS Zone	Lumens	%Lum
FL 0-30	4,831	11.7%
FM 30-60	10,848	26.3%
FH 60-80	5,398	13.1%
FVH 80-90	483	1.2%
BL 0-30	4,488	10.9%
BM 30-60	9,786	23.7%
BH 60-80	5,010	12.1%
BVH 80-90	394	1.0%
UL 90-100	0	0.0%
UH 100-180	0	0.0%
<b>Total</b>	<b>41,239</b>	<b>100.0%</b>
BUG Rating	B5-U0-G5	



### MPLSEL40

#### Luminaire Data

Description	Multi Purpose Area Light: 5000K, T5
Total Lumens	41,980
Input Wattage	302
Efficacy (lm/W)	139
Max. Cd.	12368.81 (360H, 22V)
IES Classification	Type VS
Longitudinal Classification	Very Short

#### Luminaire Classification Systems (LCS)

LCS Zone	Lumens	%Lum
FL 0-30	5,024	12.0%
FM 30-60	12,076	28.8%
FH 60-80	4,397	10.5%
FVH 80-90	79	0.2%
BL 0-30	4,671	11.1%
BM 30-60	11,064	26.4%
BH 60-80	4,581	10.9%
BVH 80-90	89	0.2%
UL 90-100	0	0.0%
UH 100-180	0	0.0%
<b>Total</b>	<b>41,980</b>	<b>100.0%</b>
BUG Rating	B5-U0-G2	

