

## General Safety Information

- To reduce the risk of death, personal injury or property damage from fire, electric shock, falling parts, cuts/abrasions, and other hazards, read all warnings and instructions included with and on the fixture carton and all fixture labels.
- Before installing, servicing, or performing routine maintenance upon this equipment, follow these general precautions.
- Commercial installation, service and maintenance of luminaires should be performed by a qualified licensed electrician, DO NOT INSTALL DAMAGED PRODUCT!
- This fixture is intended to be connected to a properly installed and grounded UL Listed j-box

## WARNING: RISK OF ELECTRICAL SHOCK

- Turn off electrical power at fuse or circuit breaker box before wiring fixture to the power supply
- Turn off the power when performing any maintenance
- Verify that supply voltage is correct by comparing it with the luminaire label information, NEC and any applicable local code requirements
- Make all electrical and grounded connections in accordance with the National Electrical Code
- All wiring connections should be capped with UL approved wire connectors

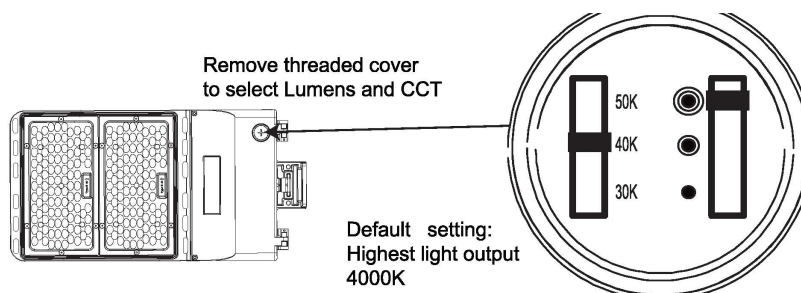
## CAUTION: RISK OF INJURY

- Unit will fall if not installed properly-- Follow installation instructions
- Wear gloves and safety glasses at all times when removing luminaire from carton, installing, servicing or performing maintenance
- Avoid direct eye exposure to the light source while it is on
- Account for small parts and destroy packing material, as these may be hazardous to children

## CAUTION: RISK OF FIRE

- Keep combustible and other materials that can burn away from luminaire and LEDs/ lens
- MIN 75°C SUPPLY CONDUCTORS

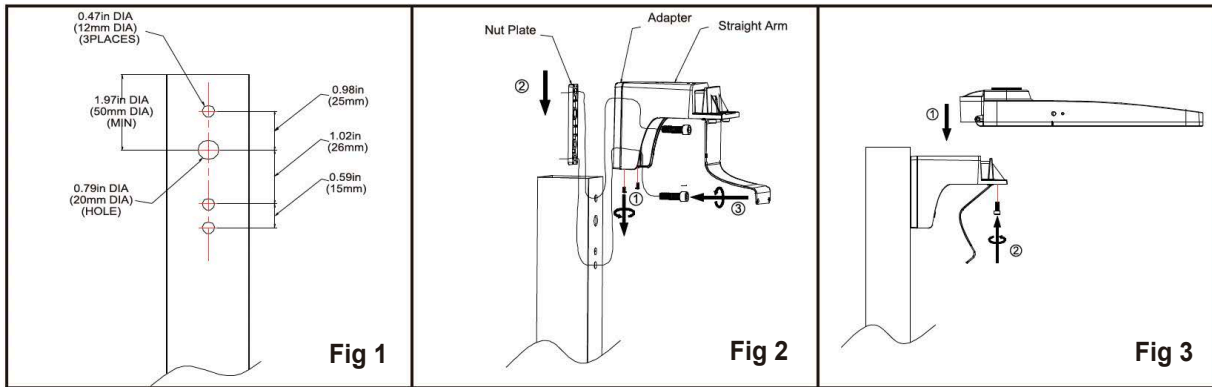
## CCT and Lumen Adjustment:



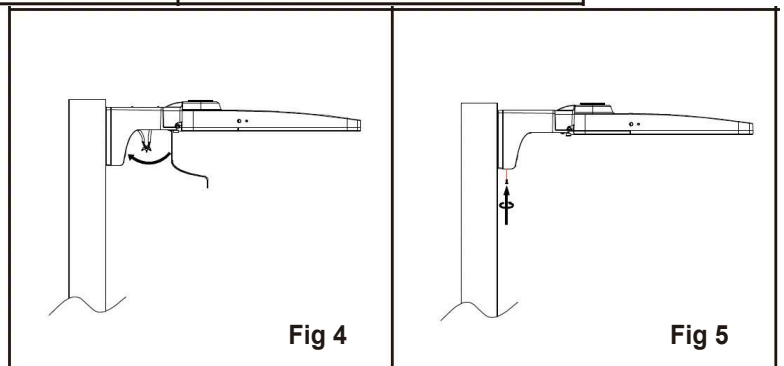
### Arm Mount to Square Pole (Accessory MPLSA)

- This fixture can be mounted to pole with included adapter plate, note pole hole pattern shall be in accordance with Fig 1
- If there is no hole on the pole, drill holes per Fig 1

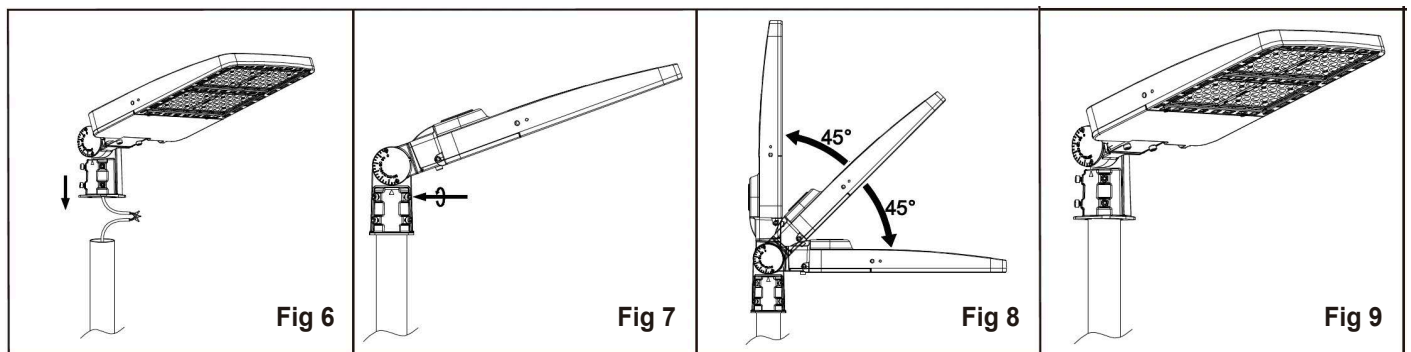
(Note: Different adapters are optional: 3" round pole adapter (RPA), 4" RPA and 5" RPA)



- Hole pattern shown in Fig 1
- Loosen the two M4 screws, open the arm cover, insert the square nut and bracket into the pole, and then secure the arm on the pole with two M12 screws (note: a round pole adapter should be added when installing to a round pole), see Fig 2
- Install the fixture onto the **MPLSA** arm and secure with two M8 screws (Fig 3)
- Connect the AC power and close arm cover (Fig 4)
- Secure the arm cover with two M4 screws (Fig 5)

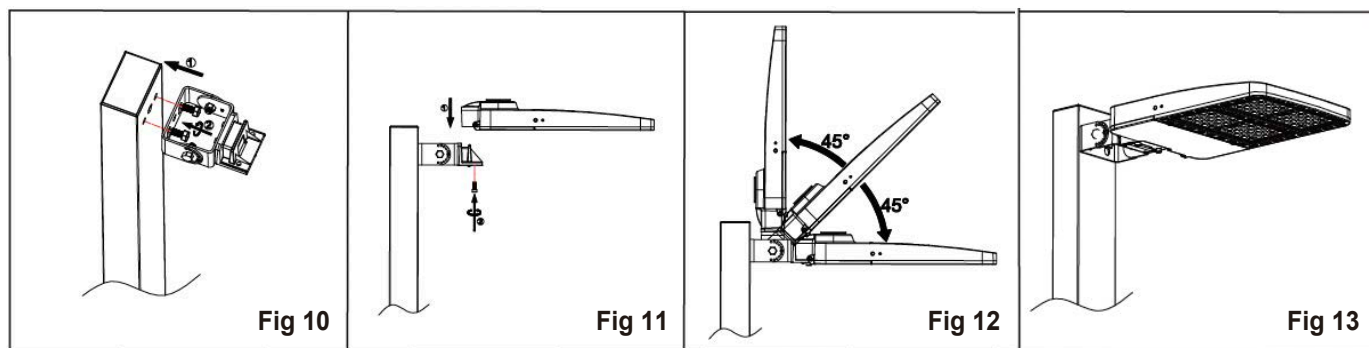


### Slipfitter Mount (Accessory MPLSSF)



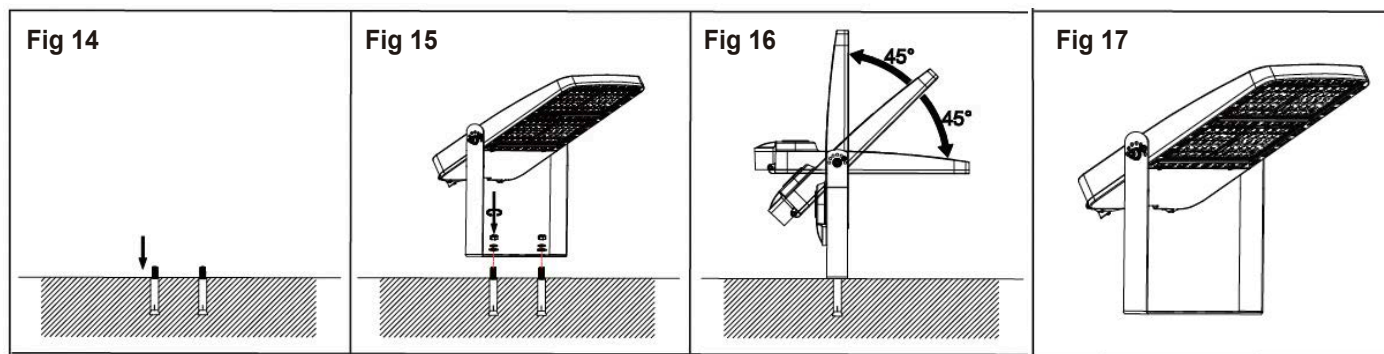
- Connect the AC power and then slide the slipfitter mount onto the pole (Fig 6)
- Tighten the four screws with the Allen wrench to secure slipfitter to pole (Fig 7)
- To aim, loosen the M12 screws on the slipfitter and adjust angle from 0 to 90 degrees in 10deg increments (Fig 8), then tighten screw to fix aiming angle
- Inspect installation to ensure fixture is secure (Fig 9)

## Trunnion Mount (Accessory **MPLSTM**)



- Fix the **MPLSTM** trunnion mount to the pole or flat surface with two M12 screws (see Fig 10)
- Install the fixture onto the mount and then attach with MB screws (see Fig 11)
- To aim, loosen the M12 screw on the trunnion mount and adjust angle from 0-90° (see Fig 12), then tighten screw to fix aiming angle
- Inspect installation to ensure fixture is secure (see Fig 13)

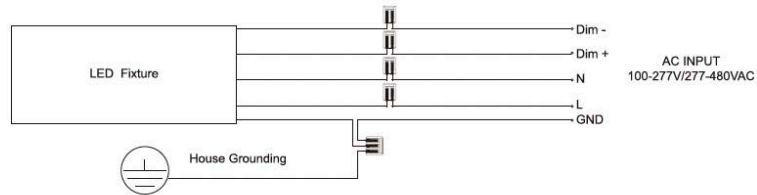
## Yoke Mount (Accessory **MPLSYK**)



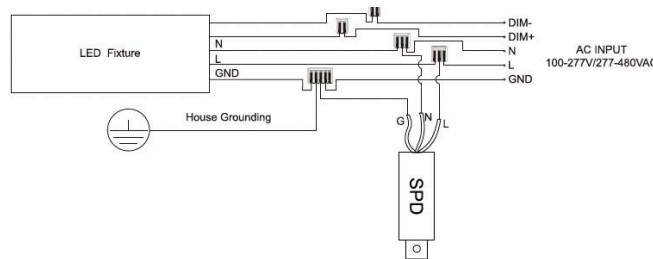
- Insert two M12 stainless steel expansion screws into the wall (see Fig 14)
- Attach the yoke onto the expansion screws and tighten the nuts to secure the yoke to the wall (see Fig 15)
- To aim, loosen the M10 screw on the yoke bracket and adjust angle from 0-90" (see Fig 16), then tighten screw to fix aiming angle
- Inspect installation to ensure fixture is secure (see Fig 17)

## Wiring Diagrams

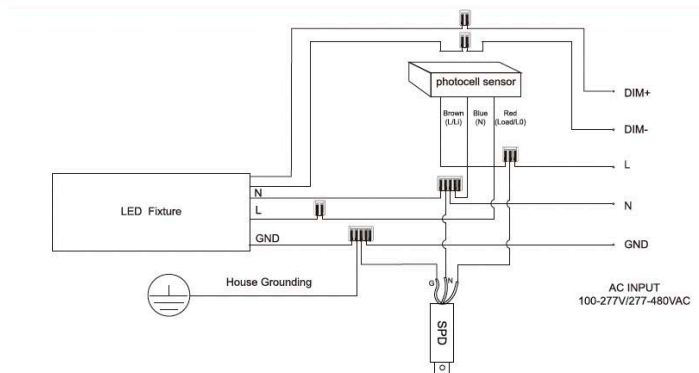
Standard Wiring:



Standard Wiring with 10kV Surge Protector:



Wiring with Photocell:



## Maintenance

- The unit is designed for years with minimum care
- For optimum performance, periodically clean lens with a mild, non-abrasive glass cleaner and soft cloth-- **DO NOT** use solvents or cleaners containing abrasive agents
- When cleaning the fixture, make sure you have the power turned off and do not spray liquid cleaner directly onto the LEDs or wiring