

### IMPORTANT SAFEGUARDS

READ INSTRUCTIONS CAREFULLY BEFORE INSTALLING. SAVE THESE INSTRUCTIONS.

Fixtures must be wired in accordance with National electrical code and all applicable local codes. Proper grounding is required for safety.

This product must be installed in accordance with the applicable installation code by a qualified electrician who is familiar with the construction and operation of the product and the hazards involved.

#### WARNING!

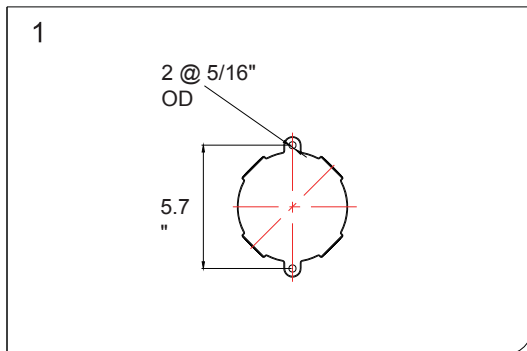
1. Risk of fire or electric shock. High bay light installation requires knowledge of luminaires and electrical system. If not qualified, DO NOT try to install. Please contact an electrician.
2. Risk of fire or electric shock. Suitable for wet locations. Make sure the power is off prior to installation.
3. Risk of fire or electric shock. Suitable for non-insulated surface and frame. DO NOT cover fixture with installation liner or similar material.
4. DO NOT install in unstable, loose or breakable surfaces.
5. DO NOT let objects impact or exert force on the surface of the fixture.

### Surface Ceiling Mount

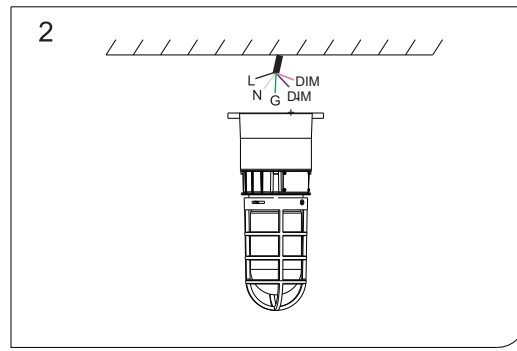


#### WARNING

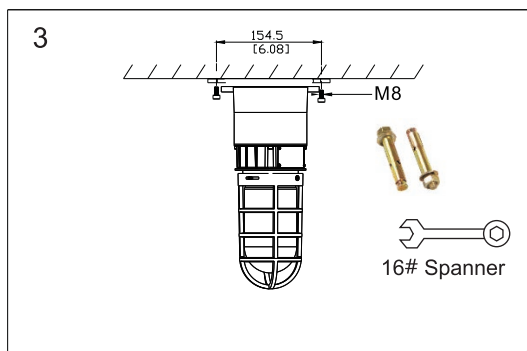
**Risk of fire, electric shock or personal injury.  
Before installation, turn off power!**



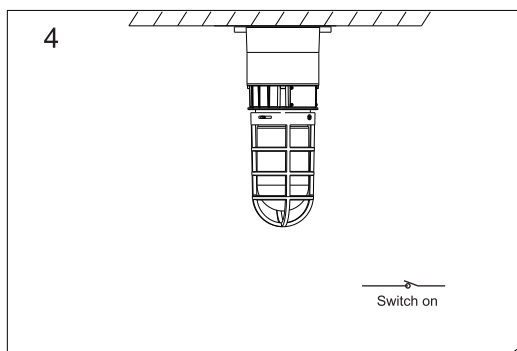
1. Drill 2x holes (5/16" OD) as shown



2. Make electrical connections (black=live, white=null, green= ground)

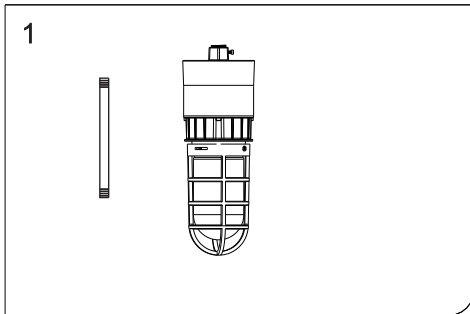


3. Attach the luminaire to the ceiling with expansion screws and tighten nut to bolts

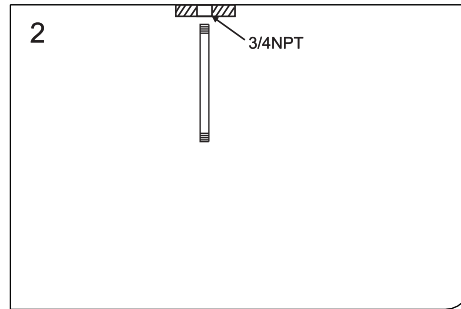


4. Turn on power to test luminaire

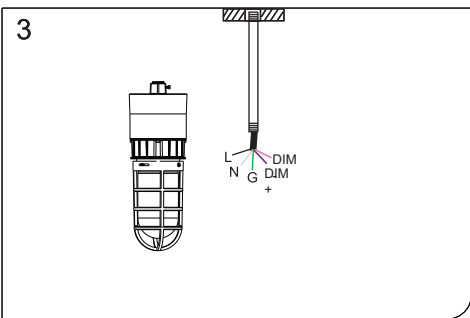
## Stem Mount



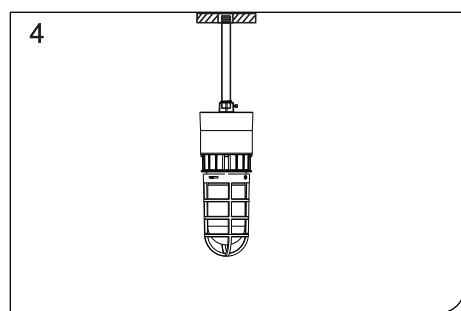
1. Remove fixture from carton



2. Install 3/4 NPT stem to ceiling receptacle

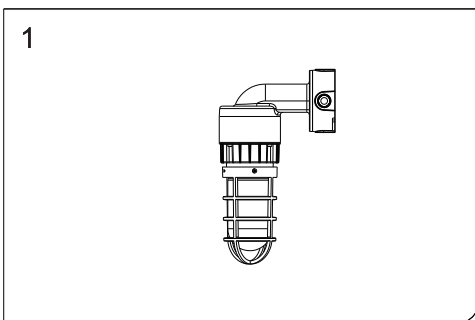


3. Make electrical connections (black=live, white=null, green= ground)

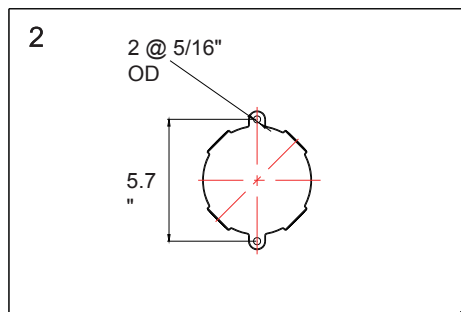


4. Attach luminaire to stem and tighten. Turn on power to test luminaire.

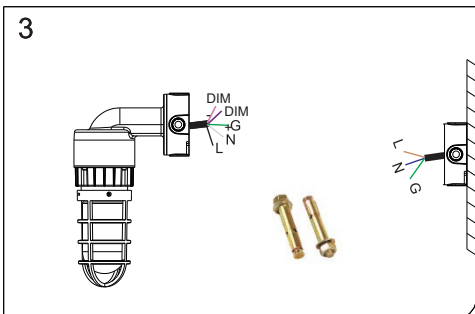
## Wall Mount



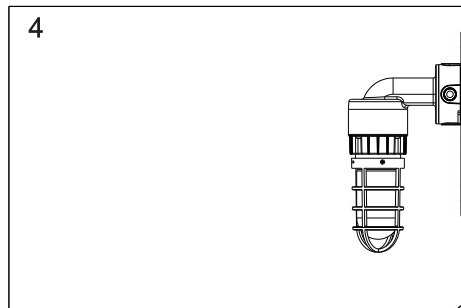
1. Remove fixture from carton



2. Drill 2x holes (5/16" OD) as shown and install expansion screw inserts into wall



3. Make electrical connections (black=live, white=null, green= ground)



3. Attach the luminaire to the wall and tighten nut to bolts. Turn on power to test luminaire.