



IMPORTANT SAFEGUARDS:

When using electrical equipment basic safety precautions should always be followed including the following:

IMPORTANT:

The battery in this unit may not be fully charged. After electricity is connected to the unit for at least 24 hours, normal operation of this unit should take effect. To check, press the "TEST" button. The EXIT sign should stay illuminated and the LED lamps on the unit should turn on.

In accordance with NFPA 101, your emergency lighting system must be tested monthly for a minimum of 30 seconds and annually for 90 minutes. Refer to your local codes for any additional requirements that may apply.

When re-lamping, use only LED lamps specified in the fixture. Using other lamp types may result in damage or unsafe conditions.

READ AND FOLLOW ALL SAFETY INSTRUCTIONS:

1. Do not use outdoors.
2. Equipment should be mounted in locations and at heights where it will not be subjected to tampering by unauthorized personnel.
3. Do not mount near gas or electric heaters.
4. Cap unused wires with enclosed wire nuts or other approved method.
5. Do not use this equipment for other than its intended use.
6. The use of accessory equipment not recommended by the manufacturer may cause an unsafe condition.
7. Disconnect AC power before servicing and installation.
8. Consult local building code for approved wiring and installation.
9. Use caution when servicing batteries.
10. Any service on this equipment should be performed by qualified personnel only.
11. Make sure wire terminations are secure and leads are properly tucked in appropriate wire channels.

NOTE: UL recommended maximum mounting height is 19.8ft

INSTALLATION

WALL MOUNT INSTALLATION:

1. De-energize the circuit at the junction box where the exit sign is to be installed.
2. Remove the exit sign stencil and set aside. Remove the hardware and LED Lamp heads and set aside. Included plastic canopy and mounting plate are not required for this installation and can be discarded.
3. Drill out the appropriate mounting pattern and the wire pass hole in the exit back plate to fit the junction box being used.
4. Feed the red, black and white wires through the wire pass hole.
5. Ensure blue and yellow lamp head wires are routed through side lamp head mounting holes (Fig 1). Attach first lamp head to housing by aligning tabs on lamp head assembly to lamp head mounting slots on frame of housing (Fig 2). Gently push lamp head down toward bottom of housing to lock into place. An audible click should be heard. Repeat to install the second lamp head.
6. Route lamp head wires through proper wire channels and connect to the exit sign lamp board.
7. Reference Wiring Diagrams section and make proper electrical connections in the junction box.
8. Fasten back plate to junction box cover.
9. Connect battery only after continuous AC power can be provided to the unit.
10. Remove proper chevron(s) on the exit face plate as required.
11. Secure face plate to housing.



SAVE THESE INSTRUCTIONS!

CEILING MOUNT INSTALLATION:

1. De-energize the circuit at the junction box where the exit sign is to be installed.
2. Remove the exit sign stencil and set aside.
3. Remove the canopy kit, hardware pack, mounting plate and LED lamp heads from inside the exit and set aside.
4. Remove the mounting hole plug on the top of the frame.
5. Place the canopy nose through the mounting hole until the side of the frame touches the canopy. Lock the frame onto the canopy by sliding the frame in a direction parallel to the canopy length toward the narrow end of the mounting hole. Slide the frame until both snaps engage the canopy nose preventing any motion back out of the hole.
6. Feed the red, black and white wires through center of mounting canopy hole.
7. Ensure blue and yellow lamp head wires are routed through side lamp head mounting holes (Fig 1). Attach first lamp head to housing by aligning tabs on lamp head assembly to lamp head mounting slots on frame of housing (Fig 2). Gently push lamp head down toward bottom of housing to lock into place. An audible click should be heard. Repeat to install second lamp head.
8. Route lamp head wires through proper wire channels and connect the exit sign lamp board.
9. Reference Wiring Diagrams section and make proper electrical connections in the junction box.
10. Secure the exit canopy to the steel mounting plate using the screws provided and fasten to junction box.
11. Connect battery only after continuous AC power can be provided to the unit.
12. Remove proper chevron(s) on the exit face plate as required.
13. Secure face plate(s) to housing.

FIG. 1

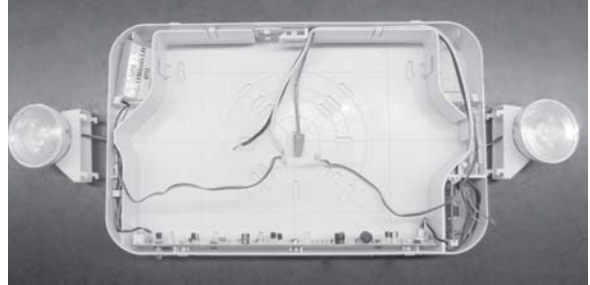
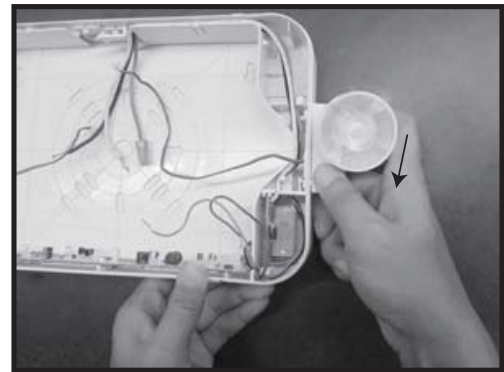


FIG. 2

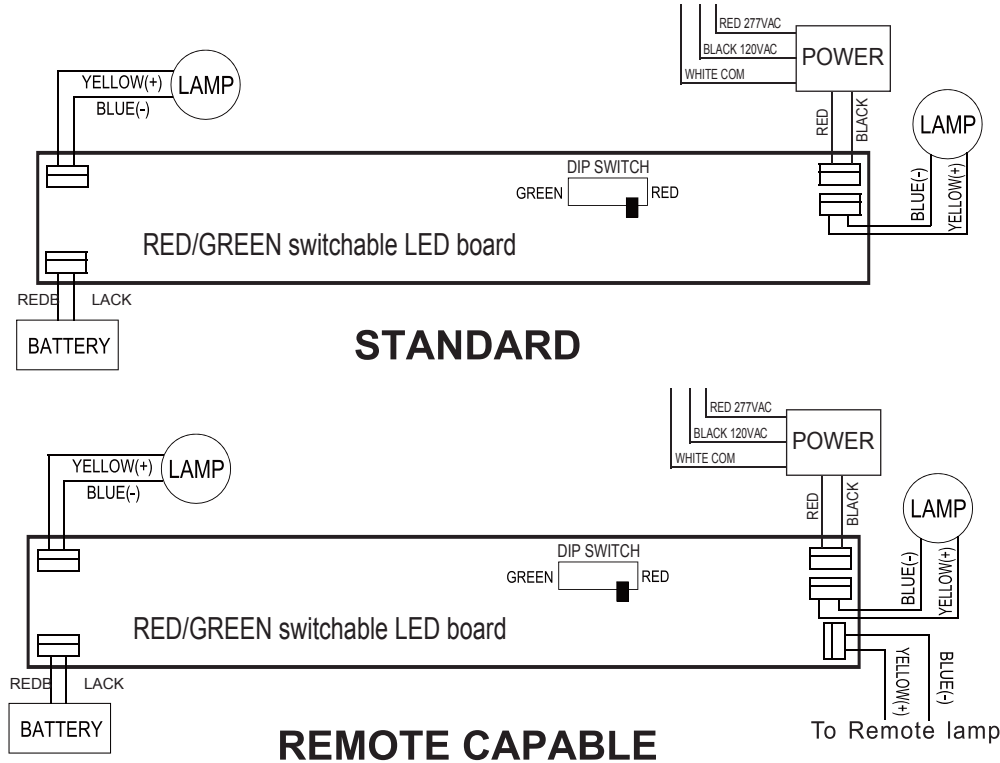


END MOUNT INSTALLATION (WITH ONE LAMP HEAD):

1. De-energize the circuit at the junction box where the exit sign is to be installed.
2. Remove the exit sign stencil and set aside.
3. Remove the canopy kit, hardware pack, mounting plate and LED lamp heads from inside the exit and set aside.
4. Remove the mounting hole plug on the right side of the frame.
5. Place the canopy nose through the mounting hole until the side of the frame touches the canopy, Lock the frame onto the canopy by sliding the frame in a direction parallel to the canopy length toward the narrow end of the mounting hole. Slide the frame until both snaps engage the canopy nose preventing any motion back out of the hole.
6. Feed the red, black and white wires through the center of mounting canopy hole.
7. For single face, left side end mount, remove and switch back plate and face plate before installing the side mounted LED lamp head.
8. Ensure blue and yellow lamp head wires are routed through side lamp head mounting hole (Fig 1). Attach lamp head to housing by aligning tabs on lamp head assembly to lamp head mounting slots on frame of housing (Fig 2). Gently push lamp head down toward bottom of housing to lock into place. An audible click should be heard.
9. Route lamp head wires through proper wire channels and connect to the exit sign lamp board.
10. Reference Wiring Diagrams section and make proper electrical connections in the junction box.
11. Secure the exit canopy to the steel mounting plate using the screws provided and fasten to junction box.
12. Connect battery only after continuous AC power can be provided to the unit.
13. Remove proper chevron(s) on the exit face plate as required.
14. Secure face plate(s) to housing.

WIRING DIAGRAMS

NOTE: Unused input lead must be properly insulated with wire nut or other approved method.



RED-TO-GREEN CONVERSION:

1. Remove the faceplate(s) from the unit's housing.
2. Gently pop out the red diffuser lens from the faceplate(s). Replace with the green diffuser lens onto the faceplate(s).
3. Toggle the dip switch from R to G on the RED/GREEN switchable LED board.
4. Replace the faceplate(s) on the housing to finish installation.

SINGLE-TO-DOUBLE FACE CONVERSION:

1. Remove the faceplate(s) from the unit's housing.
2. Remove the backplate by pushing out the two locking clips on the inside of the unit's housing.
3. Attach the two EXIT faceplates to the housing to complete the conversion.

OPERATION:

1. Apply AC power to the unit. The LED indicator will be RED.
2. After the battery has been left to charge for 24 hours, test the unit by pushing the switch. The LED indicator turns OFF, the LED board stays ON and the lampheads should turn ON at this time.
3. When the switch is released, the LED indicator turns back to RED, the LED board stays ON and the lampheads should turn OFF at this time.

MAINTENANCE:

Caution: Always turn off AC power to the equipment before servicing. Servicing should be performed only by a qualified service technician. Use only MANUFACTURER supplied replacement parts.

BATTERY:

The battery supplied with the Battery Backup model requires no maintenance. However, it should be tested periodically and replaced when it no longer operates the connected fixtures for the duration of a 30-second or 90-minute test. The battery supplied in this equipment has a life expectancy of 5 years when used in a normal ambient temperature of 72°F.