

BOXLED® DOT



BL736LED-DOT

- **BOXLED® DOT** has been designed for and is approved by the Department of Transportation for installations in underpass applications.
- **HOUSING:** Die-Cast Aluminum Alloy, A360 housing with zinc enriched polyester RAL7040 powder coated finish.
- **DIFFUSER:** 5mm microprismatic tempered glass diffuser provides optimized light distribution for a visually comfortable and glare free environment.
- The **BOXLED® DOT** is wet location, IP66 rated. Durable powder coated die-cast construction provides resistance against corrosion, flame and chemicals.
- **LUMENS:**
 - TYPE 2: 20,082 - 32,131 lm
 - TYPE 3: 19,861 - 31,781 lm
 - TYPE 5: 18,251 - 29,220 lm
- **OPERATING TEMP:**
 - HT: (AC Only) -40°F to 113°F (-40°C to 45°C)
- **WEIGHT:** 17 LBS / 7.7 KG



- **APPLICATION:** The **BOXLED® BL736LED-DOT** is approved by the Department of Transportation for installations in roadway underpasses. It is also perfectly suited for temporary lighting installations such as roadworks, construction sites and emergency service areas.

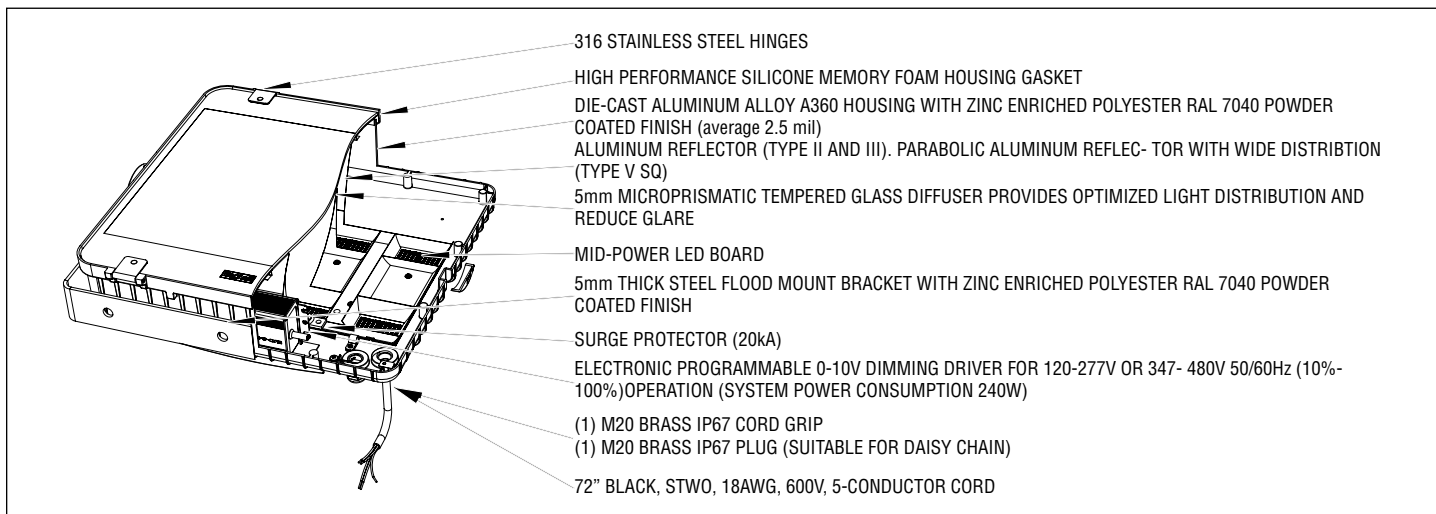
CONFIGURATIONS

MODEL	OPERATION	OUTPUT	DISTRIBUTION	COLOR TEMP	INPUT	MOUNTING	OPTIONS
BL736LED-DOT	HT (AC only)	LO	T2 (type 2)	WT40 (4000K)	120-277V	AC ¹ (aviation cable)	BAA (made in America)
		HO	T3 (type 3)		347-480V	CH ² (chain hang kit)	
			T5 (type 5)			DCK ³ (daisy chain kit)	
						HK (hook mount)	
						PK ⁴ (pendant kit)	
						QPM (quad post top)	
						QMB ⁵ (quick mount bracket)	
						SVLPK ⁴ (swivel pendant kit)	
						TPM (twin post top)	

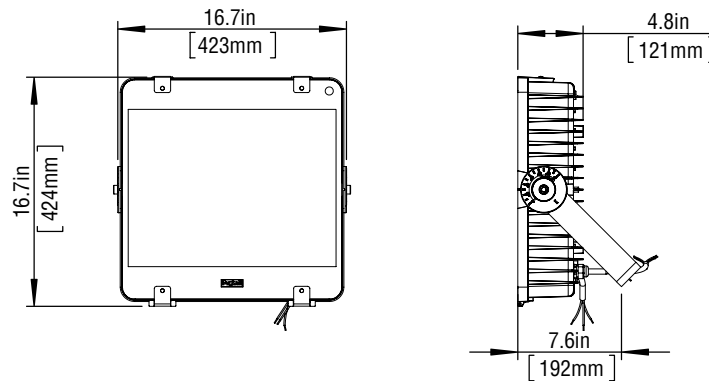
NOTE 1: Specify length for AC: 50", 72", 100", 150", 250" for other specify.
 NOTE 2: Specify length for CH: 12", 24", 36", 48" for other specify.
 NOTE 3: Nonmetallic, liquid-tight flexible conduit interlink with fittings (specify length).

NOTE 4: Specify length for PK: 12", 24", 48" for other specify.
 NOTE: Surface mount is standard.

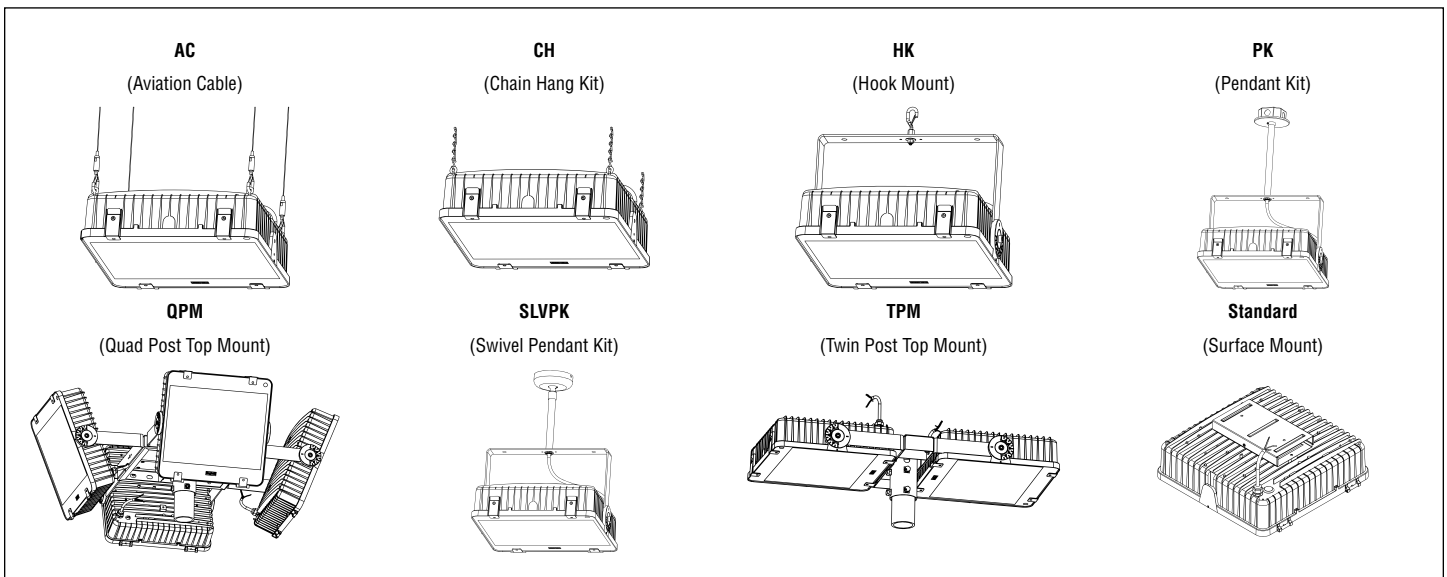
TECHNICAL INFORMATION



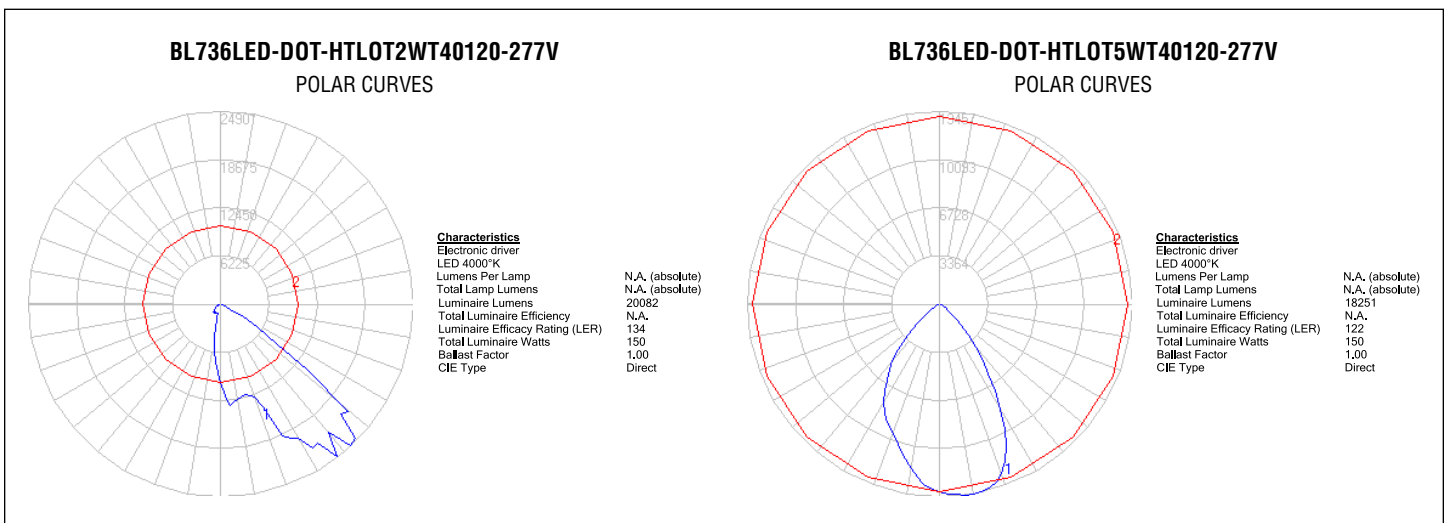
DIMENSIONS



MOUNTING OPTIONS



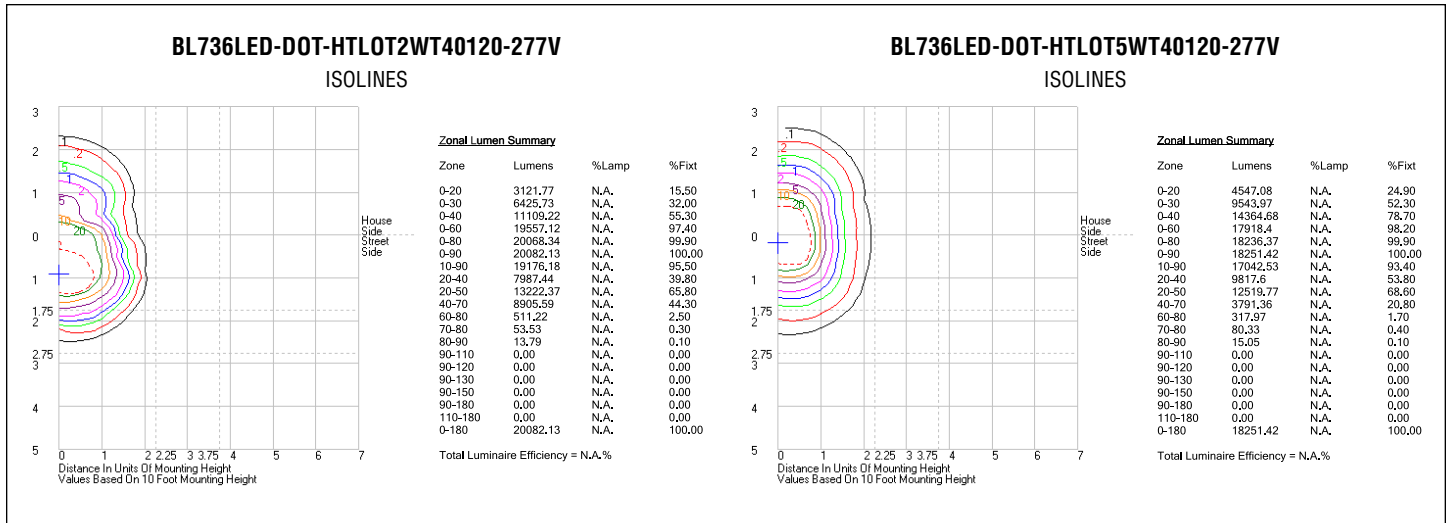
PHOTOMETRICS



BOXLED® BL736LED-DOT

ADDITIONAL INFORMATION

PHOTOMETRICS



ENERGY CHART

MODEL	EFFICACY	CONSUMPTION WATTAGE	LUMEN OUTPUT	CRI	L70 (HRS) TESTED	L70 (HRS) PROJECTED
BL736LED-DOT-HT-LO-T2-WT40	134 lm/W	150	20,082	>80	>72,000	>140,000
BL736LED-DOT-HT-HO-T2-WT40	134 lm/W	240	32,131	>80	>72,000	>140,000
BL736LED-DOT-HT-LO-T3-WT40	132 lm/W	150	19,861	>80	>72,000	>140,000
BL736LED-DOT-HT-HO-T3-WT40	132 lm/W	240	31,781	>80	>72,000	>140,000
BL736LED-DOT-HT-LO-T5-WT40	122 lm/W	150	18,251	>80	>72,000	>140,000
BL736LED-DOT-HT-HO-T5-WT40	122 lm/W	240	29,220	>80	>72,000	>140,000

ELECTRICAL RATING

PRODUCT	NOMINAL POWER (W)	AC CURRENT (A) AC VOLTAGE				FREQUENCY (HZ)	DC VOLTAGE (V)	DC CURRENT (MA)
		120V	277V	347V	480V			
BL736LED-DOT-HT-LO	150	1.28	0.55	0.44	0.32	50/60	50	2800
BL736LED-DOT-HT-HO	240	2.04	0.88	0.68	0.51	50/60	50	4500

DIMMER COMPATIBILITY

DIMMER	COMPATIBILITY	
	ON/OFF	DIMMING
LEVITON - AWRMG-7	YES	YES
LUTRON - DIVE - DVSTV	YES	YES
LUTRON - DIVE - DVTV	YES	YES
WATT STOPPER - DCLV1	YES	YES

■ **WARRANTY:** 5 years, see website for full warranty details.