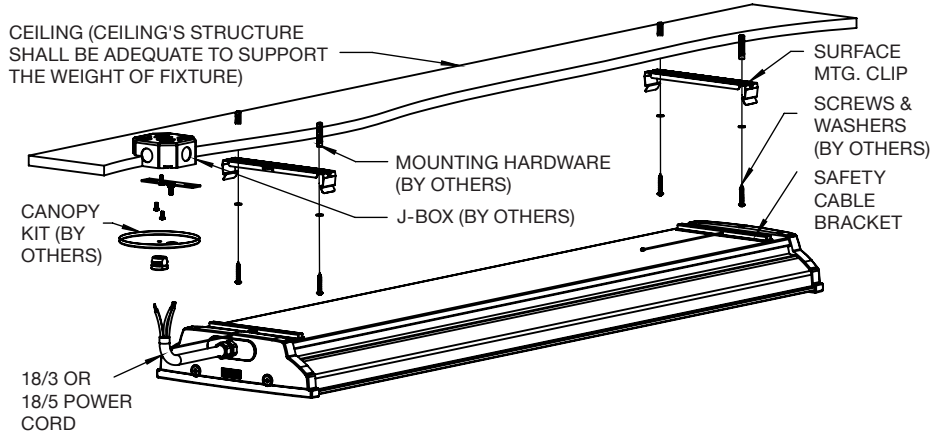


IMPORTANT SAFEGUARDS

When using electrical equipment basic safety precautions should always be followed including the following:

READ AND FOLLOW ALL SAFETY INSTRUCTIONS:

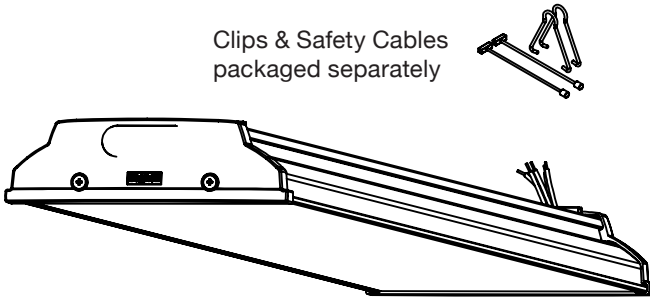
1. CAUTION! ALWAYS MAKE SURE THE POWER IS TURNED OFF before starting installation.
2. Measure, locate fixture's position, and mark locations for the brackets.
3. Secure brackets to ceiling as shown below. (HARDWARE BY OTHERS)
4. Wiring fixture to power supply, shall be performed by a certified electrician, and wired in a manner that complies with all national electrical codes, as well as the manufacturer's wiring diagram.
5. Proper replacement of a part removed for user maintenance.



SAVE THESE INSTRUCTIONS!

INSTALLATION

Clips & Safety Cables packaged separately



SAVE THESE INSTRUCTIONS!

DIMMING WIRING DIAGRAM:

1. 0-10V dimming wires must be run from a different conduit out of the J-box.

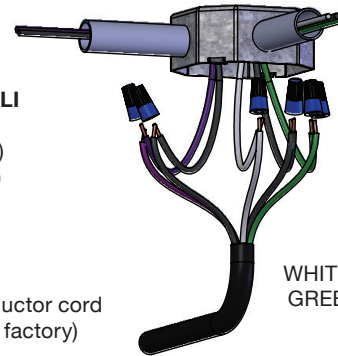
0-10V LEAD / DALI

VIOLET.....(DIM +)
GRAY.....(DIM -)

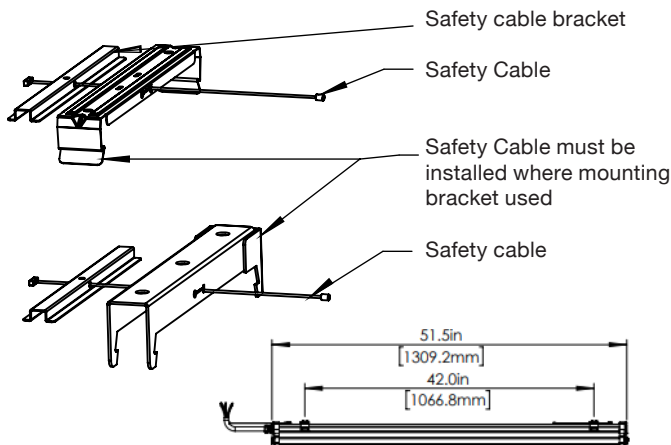
AC LEADS

BLACK.....(HOT)
WHITE.....(NEUTRAL)
GREEN.....(GROUND)

NOTE:
- Optional 3-conductor cord available (contact factory)

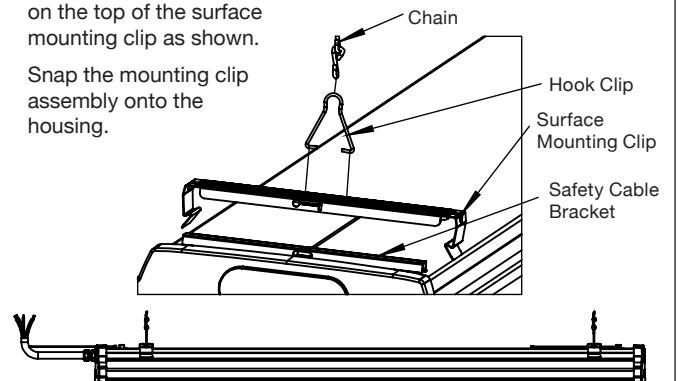


SURFACE MOUNT (SM)



CHAIN (CH):

1. Insert the hook clip through the loop of the chain.
2. Attach hook clip onto the holes on the top of the surface mounting clip as shown.
3. Snap the mounting clip assembly onto the housing.



AVIATION CABLE (AC):

1. Attach cable glider to surface mounting bracket using provided lock nut as shown.
2. Attach the mounting bracket assembly to housing using provided screw.
3. Thread the A/C Cable through the cable glider as shown. (Push top sleeve of cable glider to release lock and adjust level.)



PENDANT KIT:

1. Attach the stem adaptor cap to the surface mounting bracket using provided lock nut as shown.
2. Attach the mounting bracket to housing using provided screw.
3. Attach stem adapter & stem to the stem end-cap.



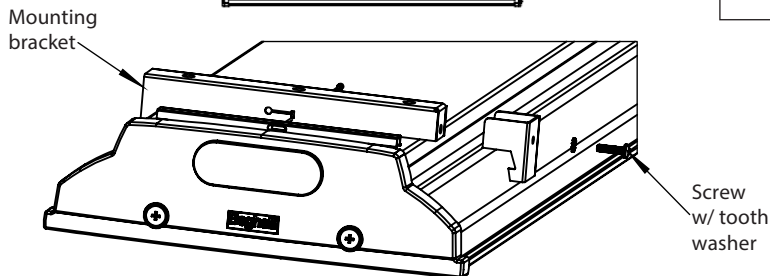
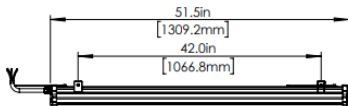
PIVOT MOUNT (PM):

1. Attach the Mounting bracket & Pivot mounting bracket together as shown.
2. Attach the bracket & Pivot assembly to housing as shown.
3. Attach Pivot wall bracket to wall (hardware by others).
4. Attach Pivot assembly fixture to the Pivot wall bracket, set and aim the fixture to desirable direction and lock the bracket into position using provided screw.

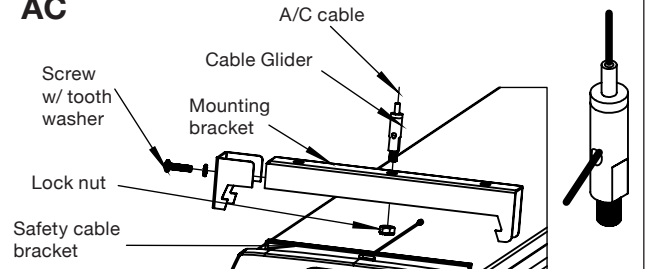


SEISMIC BRACKET MOUNT (SBM):

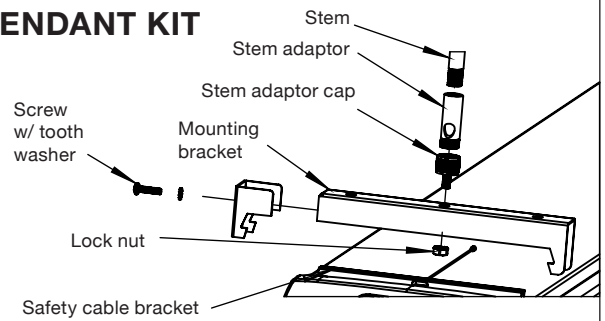
1. Attach the Seismic Mounting Brackets to the ceiling using appropriate hardware by others, referring to dimensions as shown.
2. Hook the fixture onto the Seismic Mounting Brackets and secured with provided end pieces and screws



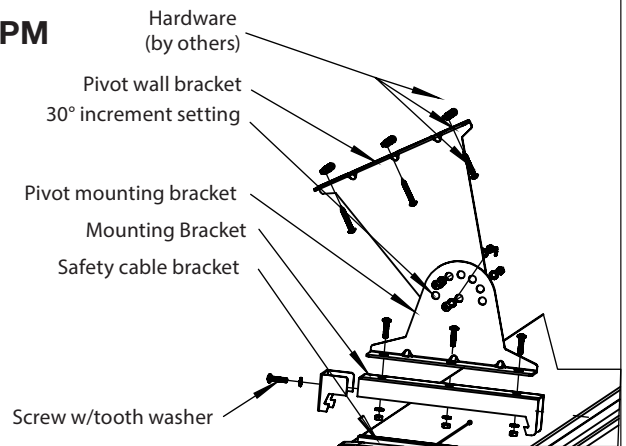
AC



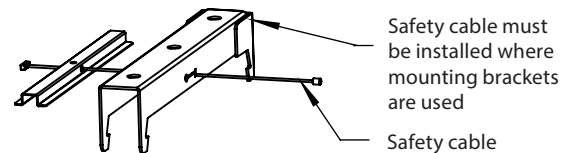
PENDANT KIT



PM



SBM



SAVE THESE INSTRUCTIONS!