

**IMPORTANT SAFEGUARDS**

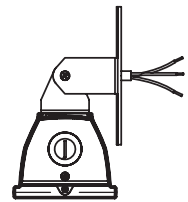
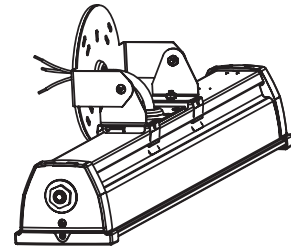
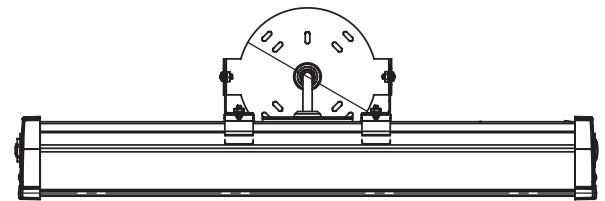
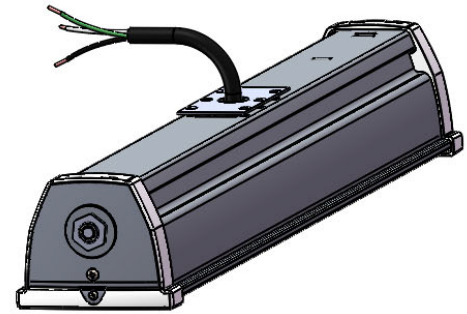
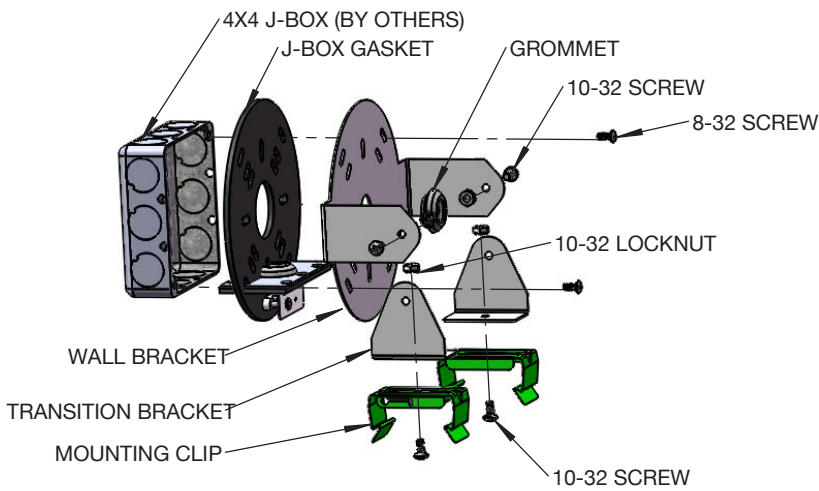
When using electrical equipment basic safety precautions should always be followed including the following:

**READ AND FOLLOW ALL SAFETY INSTRUCTIONS:**

1. CAUTION! ALWAYS MAKE SURE THE POWER IS TURNED OFF before starting installation.
2. Measure, locate fixture's position, and mark locations for the brackets.
3. Secure brackets to ceiling as shown below. (HARDWARE BY OTHERS)
4. Wiring fixture to power supply, shall be performed by a certified electrician, and wired in a manner that complies with all national electrical codes, as well as the manufacturer's wiring diagram.
5. Proper replacement of a part removed for user maintenance.

SAVE THESE INSTRUCTIONS!

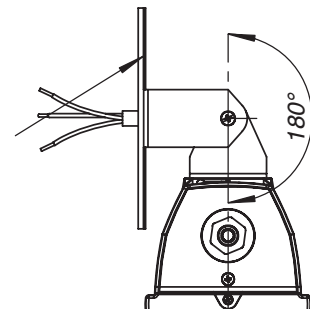
**INSTALLATION**



1. Attach the Mounting Clips on the Transition Brackets as shown.
2. Attach the Transition Brackets & Mounting Clips assembly to the Wall Bracket. Snap the Fixture onto the Mounting Bracket.
3. Snap the Fixture onto the Mounting Bracket assembly.
4. Install Grommet on the Wall Bracket.
5. Feed the power cord through the Grommet and wiring to the J-box power source (see wiring detail on second page).
6. Attach the entire assembly to the J-Box (hardware by others).
7. Go to second page for battery connection instruction before power up the fixture.

**MOUNTING BRACKET CAN ACCOMODATE J-BOXES BELOW (RECESSED ONLY)**

- 2x4 J-Box.
- 2x4 Weather-proof J-Box.
- Round Weather-proof J-Box.
- 4" Octagonal J-Box.
- 4" Round J-Box.



SAVE THESE INSTRUCTIONS!

### DIMMING WIRING DIAGRAM:

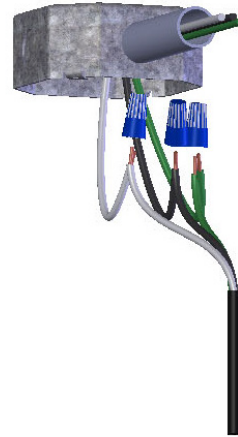
\*\*BEFORE POWERING UP THE FIXTURE,  
CONNECT THE BATTERY AS SHOWN TO THE  
RIGHT

AC LEADS

BLACK.....(HOT)

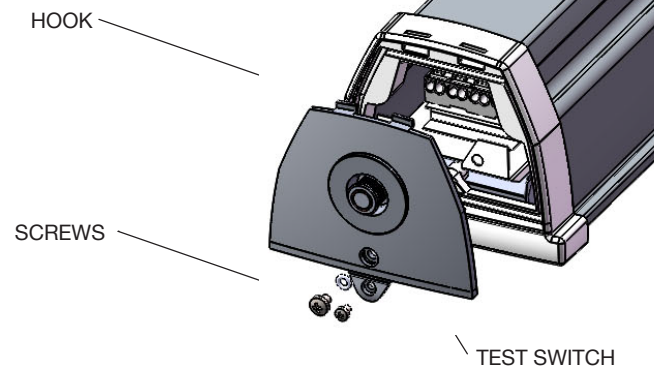
WHITE.....(NEUTRAL)

GREEN.....(GROUND)



### REMOVING END CAP

REMOVE SCREWS AND LIGHTLY  
PULL OUT THE BOTTOM OF THE  
COVER TO UNHOOK THE TOP OF  
THE COVER



### CONNECTING THE BATTERY

