

LEDLUMINA

[LOGICA]

TITLE
20TITLE
24

BS400LED - MID BAY/ GARAGE LIGHT

- The **LEDLUMINA** BS400LED is a modern, ultra low profile, glare-free, energy saving solution that is scalable to your project
- The **LEDLUMINA** BS400LED features a surface mount bracket with quick connect for ease of installation and stainless steel hardware
- **DIFFUSER:** Frosted UV stabilized polycarbonate diffuser provides even light distribution; Reflected light technology efficiently controls glare
- **HOUSING:** Die-cast, copper-free aluminum
- **LUMENS:**
 - LO (30W): 3571 up to 3779 lm (SA: 16W, 1881 lm)
 - MO (45W): 5358 up to 5671 lm (SA: 16W, 1881 lm)
 - HO (60W): 6980 up to 7282 lm (EM: 17W, 2190 lm)
- **OPERATING TEMPERATURES:**
 - HT: -40 to 40°C (-40 to 104°F)
 - SA (MO & LO): 0 to 25°C (32 to 77°F)
 - EM (HO): 0 to 50°C (32 to 122°F)

OPTIONS:

- Integral and remote emergency egress solutions
- Logica lighting control options (see Logica Controls section)
- Surge and fuse protection

WEIGHT: 14 lbs / 6.3 kg



APPLICATION: The **BS400LED** has been specifically designed to meet parking structure requirements. It's also ideal for other applications including retail stores, industrial installations, warehouses, breezeways, canopies, schools and much more. It can be installed both indoor and outdoor.

ORDERING INFORMATION

Example: BS400LED-HT-HO-WT40-120-277V-EM

MODEL	OPERATION	OUTPUT	COLOR TEMP	INPUT	MOUNTING	OPTIONS
BS400LED	HT (AC only)	LO	WT30 (3000K)	120-277V	blank (surface mount)	CT ⁴ (integral cold temperature emergency pack)
	SA ¹ (AC & EM)	MO	WT35 (3500K)	347-480V	AC ² (aviation cable)	EM ⁵ (remote mount battery backup for HO output only)
		HO	WT40 (4000K)		CH ³ (chain hang kit)	FP (fuse protection - 3A)
			WT50 (5000K)		PK ³ (pendant kit)	IOS ⁶ (internal occupancy sensor)
					SVLPK ³ (swivel pendant kit)	IOSL ⁷ (internal occ. sensor - LOGICA)
					TM (trunnion mount)	NODL ⁷ (integrated node - LOGICA)
						RLY ⁷ (wireless relay and sensor)
						SP (surge protection - 10 kA)

ACCESSORY: HHR-FSIR (hand held remote for IOSF FSP221 programmable sensor-- See Logica Controls section)

NOTE 1: SA for LO & MO only (120-277V); 16W; 1881lm. CEC Title 20; Comes with test switch and LED indicator

NOTE 2: Specify length for AC: 50", 72", 100", 150", 250" (fully adjustable)

NOTE 3: CH, PK & SVLPK options must specify length (in inches: i.e., 12, 24, 48)

NOTE 4: Cold temp. emergency pack option for SA models; 120-277V; down to -20°C (-4°F); 14W; 1750 lm

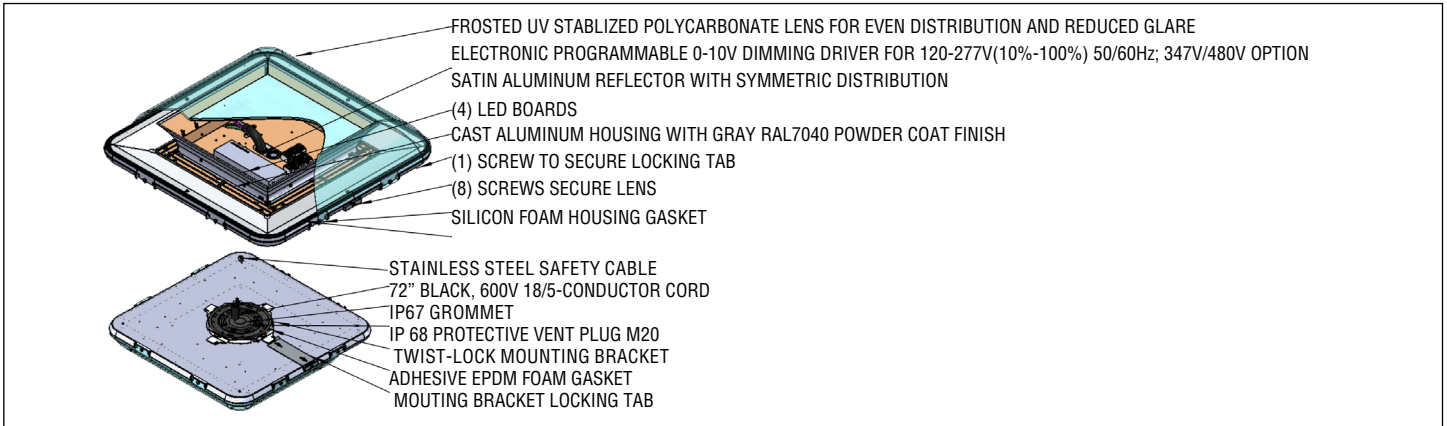
NOTE 5: Title 20 remote mount emergency pack (120-277V, 17W, 2190 lm) for field installation (25ft max wire length for remote mount)

NOTE 6: IOS sensor options shown in Logica Controls section (Note: FSP-221 (IOSF) requires HHR-FSIR hand held remote accessory for programming)

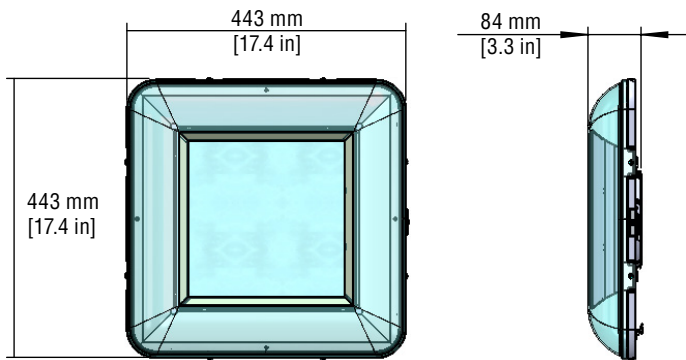
NOTE 7: Logica network solutions shown in Logica Controls section; IOSL is wet location; NODL and RLY are damp location; Contact factory for more details

NOTE: Surface mount is standard

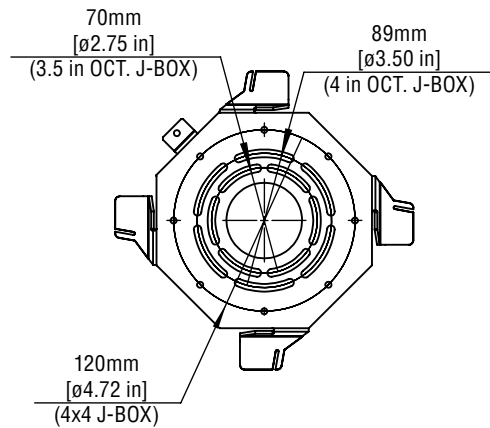
TECHNICAL INFORMATION



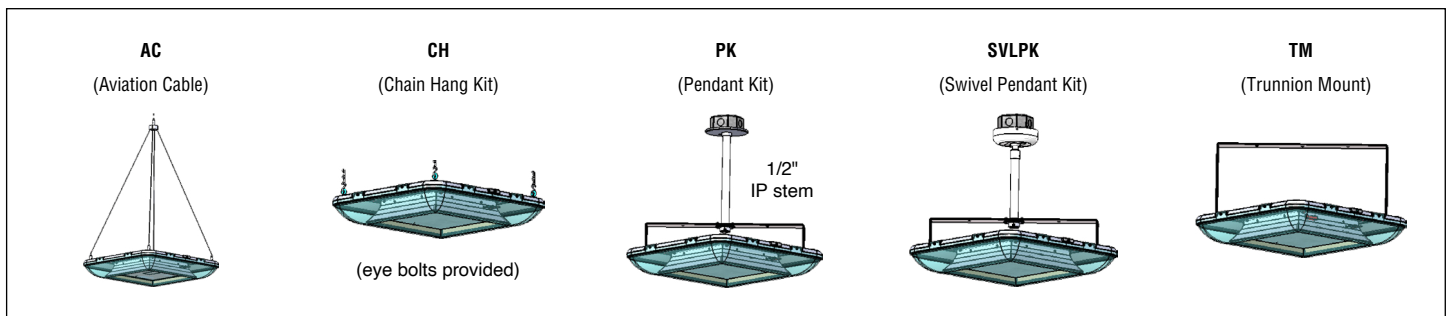
DIMENSIONS



SURFACE MOUNTING (STANDARD WITH BRACKET)



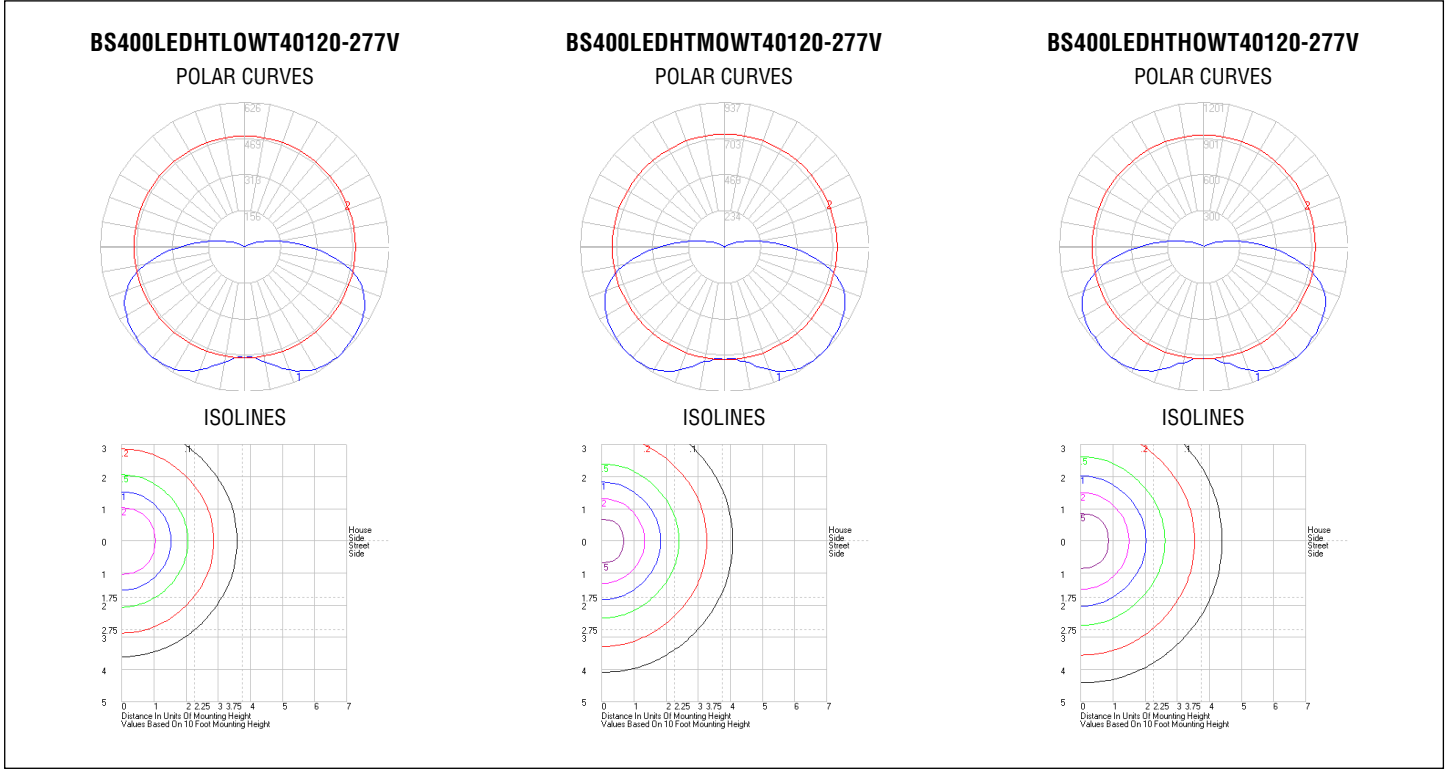
MOUNTING OPTIONS



LEDLUMINA BS400LED

ADDITIONAL INFORMATION

PHOTOMETRICS



ENERGY CHART

MODEL	EFFICACY	CONSUMPTION WATTAGE	LUMEN OUTPUT*	CRI	L70 (HRS) REPORTED/ PROJECTED
BS400LED-HT-LO-WT30-120-277V	119 LPW	30W	3571 LM	>80	>60,000/ 100,000
BS400LED-HT-LO-WT35-120-277V	121 LPW	30W	3621 LM	>80	>60,000/ 100,000
BS400LED-HT-LO-WT40-120-277V	125 LPW	30W	3753 LM	>80	>60,000/ 100,000
BS400LED-HT-LO-WT50-120-277V	126 LPW	30W	3779 LM	>80	>60,000/ 100,000
BS400LED-HT-MO-WT30-120-277V	119 LPW	45W	5358 LM	>80	>60,000/ 100,000
BS400LED-HT-MO-WT35-120-277V	121 LPW	45W	5621 LM	>80	>60,000/ 100,000
BS400LED-HT-MO-WT40-120-277V	125 LPW	45W	5632 LM	>80	>60,000/ 100,000
BS400LED-HT-MO-WT50-120-277V	126 LPW	45W	5671 LM	>80	>60,000/ 100,000
BS400LED-HT-HO-WT30-120-277V	115 LPW	60W	6900 LM	>80	>60,000/ 100,000
BS400LED-HT-HO-WT35-120-277V	116 LPW	60W	6960 LM	>80	>60,000/ 100,000
BS400LED-HT-HO-WT40-120-277V	121 LPW	60W	7233 LM	>80	>60,000/ 100,000
BS400LED-HT-HO-WT50-120-277V	121 LPW	60W	7282 LM	>80	>60,000/ 100,000

* +/- 5%

LEDLUMINA BS400LED

ADDITIONAL INFORMATION

ELECTRICAL RATING

PRODUCT	NOMINAL POWER (W)	AC CURRENT (A) AC VOLTAGE		FREQUENCY (HZ)	DC VOLTAGE (V)	DC CURRENT (MA)
		120 V	277 V			
BS400LED-HT-LO	30	0.26	0.11	50/60	36	800
BS400LED-HT-MO	45	0.38	0.17	50/60	33	1200
BS400LED-HT-HO	60	0.51	0.22	50/60	34	1550

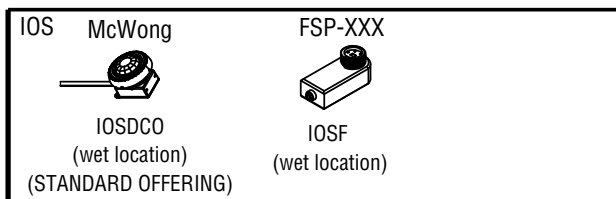
DIMMER COMPATIBILITY

DIMMER	COMPATABILITY	
	ON/OFF	DIMMING
LEVITON - AWRMG-7	YES	YES
LUTRON - DIVA - DVSTV	YES	YES

■ **WARRANTY:** 5 years, see website for full warranty details.

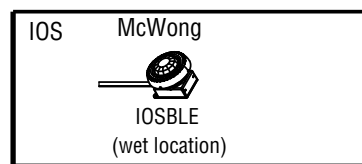
LOGICA LIGHTING CONTROL SOLUTIONS

STAND ALONE - MANUAL COMMISSIONING



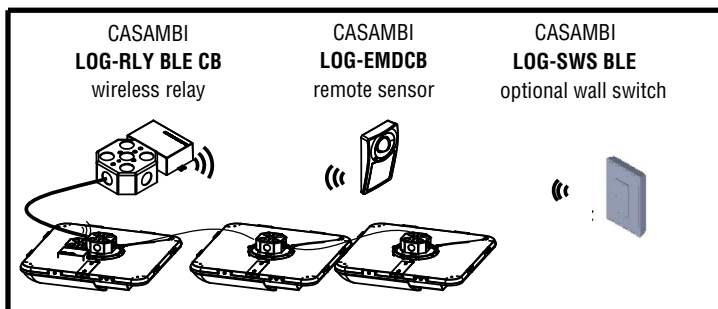
- Consult factory for sensor settings
- Variety of models & settings available for FSP sensors (HHR-FSIR is remote for FSP-221 sensor)

STAND ALONE - BLUETOOTH COMMISSIONING

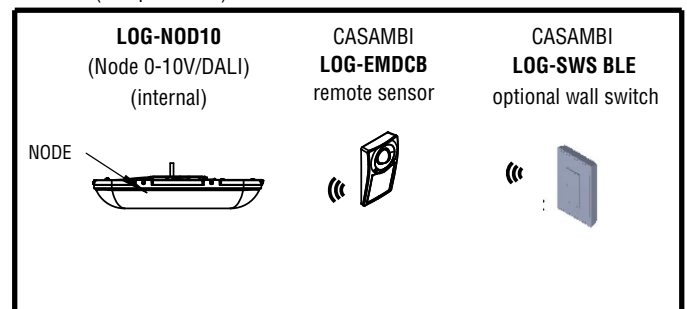


NETWORK SOLUTIONS

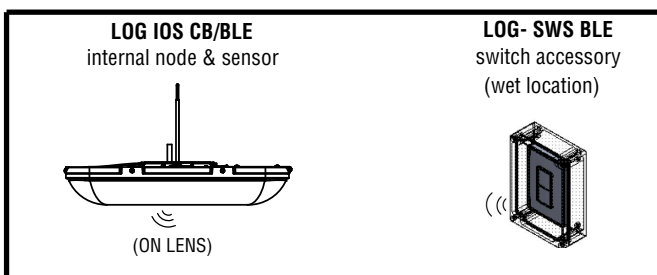
RELAY (damp location)



NODL (damp location)



IOSL (wet location)



DEFAULT SETTING:

- 100% @ Occupied
- 50% After 30 minutes without occupation
- OFF after an additional 30 minutes without occupation
- Step-dimming available with commissioning (network solution only)

NOTE: PIR OVERRIDES DAYLIGHT HARVESTING