

# PICCOLO (PSF)



## SMALL CCT SELECTABLE FLOODS

- The **Piccolo (PSF)** flood family is available in 3 outputs with field selectable color temperatures and protected by an impact-resistant IK10 rated lens
- **CCT:** Field selectable 3500K/ 4000K/ 5000K
- **LUMENS:** PSFHT2: 2000 to 2200 lm (@16W)  
PSFHT4: 4400 to 4700 lm (@ 31W)  
PSFHT7: 6600 to 7200 lm (@ 50W)
- **TM21:** Long-life LEDs provide calculated L70 = 149,000 hours
- **HOUSING:** Die-cast aluminum housing in a dark bronze paint finish (paint rated at 7 per ASTM D1654 05 scratch test)
- **LENS:** Gasketed IK10 rated polycarbonate lens in IES type V or NEMA wide 7x7 flood distribution
- **INPUT:** Universal 120-277VAC (50-60Hz)
- **POWER FACTOR:** > 0.90
- **DIMMING:** 0-10VDC standard
- **TOTAL HARMONIC DISTORTION:** < 20%
- **CRI:** > 80
- **OPERATING TEMP:** -40°C to 50°C (-40°F to 122°F)
- **MOUNTING OPTIONS & ACCESSORIES:**
  - Standard die-cast aluminum knuckle mount for J-box installation
  - Yoke mount accessory available for PSF4 and PSF7
  - Line voltage ground stake accessory for landscape applications



- **APPLICATION:** The **PSF** flood lighting family is designed to illuminate landscapes, building facades, signage and architectural outdoor features
- **CERTIFICATIONS:**
  - UL Listed for Wet Locations
  - DLC 5.1 PREMIUM approved
  - IP65 rated ingress protection
  - Complies with FCC Part 15, class A
  - Complies with EN61000 4 5, 4kVA surge protection
  - IK10 rated lens for protection from external impacts
  - Salt fog tested for 1,000 hours (ASTM B117)  
(After salt fog testing, paint rated at 7 per ASTM D1654 05 scratch test)
- **WARRANTY:** 5 years

## ORDERING INFORMATION

Example: PSFHT7

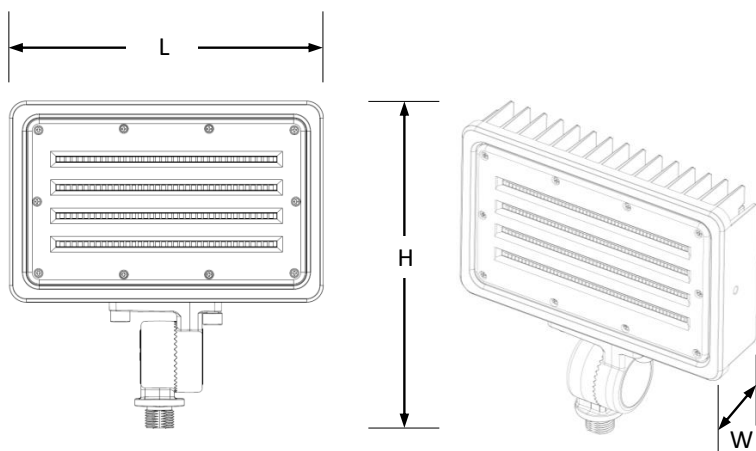
MODEL	DESCRIPTION	ACCESSORIES
PSFHT2	LED flood light, 2000-2200 lm, 16W, selectable CCT, 120-277V, knuckle, dark bronze	PSF-POST ground stake (line voltage)
PSFHT4	LED flood light, 4400-4700 lm, 31W, selectable CCT, 120-277V, knuckle, dark bronze	PSF-YOKE <sup>1</sup> yoke mount
PSFHT7	LED flood light, 6600-7200 lm, 50W, selectable CCT, 120-277V, knuckle, dark bronze	

**NOTE 1:** Compatible with PSFHT4 and PSFHT7 models only

## ELECTRICAL DATA

Measurements	PSFHT2			PSFHT4			PSFHT7		
	3500K	4000K	5000K	3500K	4000K	5000K	3500K	4000K	5000K
<b>Lumens</b>	2002	2179	2085	4436	4696	4526	6601	7170	6884
<b>Watts</b>	16	15	16	31	30	31	52	49	51
<b>Efficacy</b>	125	145	132	142	156	145	126	147	134
<b>Input Current (A)</b>	120V = 0.13A	120V = 0.13A	120V = 0.13A	120V = 0.26A	120V = 0.25A	120V = 0.26A	120V = 0.43A	120V = 0.41A	120V = 0.43A
	240V = 0.07A	240V = 0.06A	240V = 0.07A	240V = 0.13A	240V = 0.13A	240V = 0.13A	240V = 0.22A	240V = 0.20A	240V = 0.21A
	277V = 0.06A	277V = 0.05A	277V = 0.06A	277V = 0.11A	277V = 0.11A	277V = 0.11A	277V = 0.19A	277V = 0.18A	277V = 0.18A

## DIMENSIONS



Model	Length (L)	Width (W)	Depth (H)	Weight
PSFHT2	4.3"	1.7"	5.8"	1 lb
PSFHT4	8.7"	1.9"	9"	4 lbs
PSFHT7				

## EFFECTIVE PROJECTED AREAS (EPAs)

### PSFHT2

Front = 0.17 s.f.

Side = 0.07 s.f.

Face = 0.05 s.f.

### PSFHT4 & PSFHT7

Front = 0.54 s.f. (knuckle) / 0.44 s.f. (yoke)

Side = 0.12 s.f. (knuckle) / 0.09 s.f. (yoke)

Face = 0.11 s.f. (knuckle) / 0.12 s.f. (yoke)

## PHOTOMETRICS

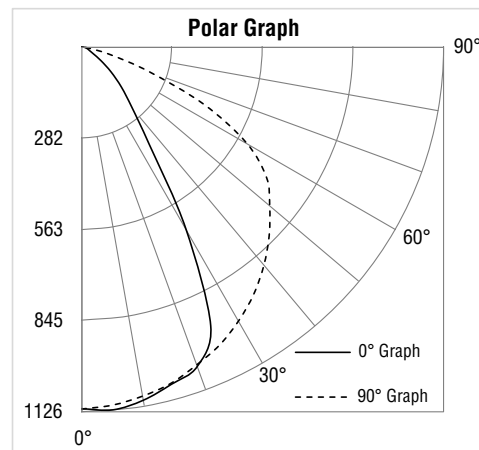
### PSFHT2

#### Luminaire Data

Description	Small selectable flood
Total Lumens	2002
Input Wattage	16
Efficacy (lm/W)	126
Max. Cd.	1131.47 (337.5H, 6V)
IES Classification	Type I
Longitudinal Classification	Very Short

#### Luminaire Classification Systems (LCS)

LCS Zone	Lumens	%Lum	
<b>FL</b>	0-30	438	21.9%
<b>FM</b>	30-60	488	24.4%
<b>FH</b>	60-80	74	3.7%
<b>FVH</b>	80-90	3	0.2%
<b>BL</b>	0-30	434	21.7%
<b>BM</b>	30-60	491	24.5%
<b>BH</b>	60-80	71	3.6%
<b>BVH</b>	80-90	3	0.1%
<b>UL</b>	90-100	0	0.0%
<b>UH</b>	100-180	0	0.0%
<b>Total</b>		2002	100.0%
BUG Rating		B1-U0-G0	



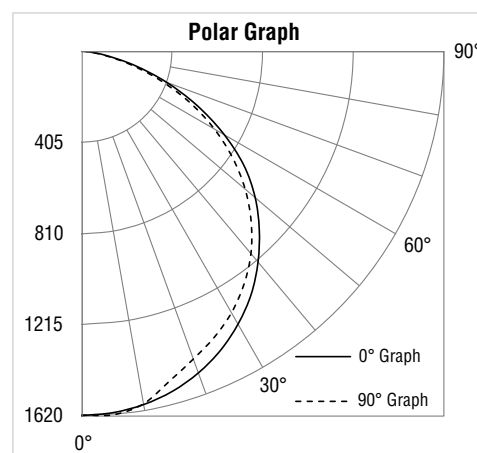
### PSFHT4

#### Luminaire Data

Description	Small selectable flood
Total Lumens	4436
Input Wattage	31
Efficacy (lm/W)	142
Max. Cd.	1625.57 (112.5H, 5V)
IES Classification	Type VS
Longitudinal Classification	Very Short

#### Luminaire Classification Systems (LCS)

LCS Zone	Lumens	%Lum	
<b>FL</b>	0-30	625	14.1%
<b>FM</b>	30-60	1,190	26.8%
<b>FH</b>	60-80	372	8.4%
<b>FVH</b>	80-90	16	0.4%
<b>BL</b>	0-30	629	14.2%
<b>BM</b>	30-60	1,205	27.2%
<b>BH</b>	60-80	383	8.6%
<b>BVH</b>	80-90	16	0.4%
<b>UL</b>	90-100	0	0.0%
<b>UH</b>	100-180	0	0.0%
<b>Total</b>		4436	99.9%
BUG Rating		B2-U0-G1	



### PSFHT7

#### Luminaire Data

Description	Small selectable flood
Total Lumens	6601
Input Wattage	52
Efficacy (lm/W)	126
Max. Cd.	2750.84 (157.5H, 1V)
IES Classification	Type VS
Longitudinal Classification	Very Short

#### Luminaire Classification Systems (LCS)

LCS Zone	Lumens	%Lum	
<b>FL</b>	0-30	989	15.0%
<b>FM</b>	30-60	1,783	27.0%
<b>FH</b>	60-80	519	7.9%
<b>FVH</b>	80-90	21	0.3%
<b>BL</b>	0-30	987	15.0%
<b>BM</b>	30-60	1,774	26.9%
<b>BH</b>	60-80	510	7.7%
<b>BVH</b>	80-90	19	0.3%
<b>UL</b>	90-100	0	0.0%
<b>UH</b>	100-180	0	0.0%
<b>Total</b>		6601	100.0%
BUG Rating		B2-U0-G1	

