
INSTALLATION INSTRUCTIONS IMPORTANT SAFEGUARDS

Read & Follow All Safety Instructions

When using electrical equipment, basic safety precautions should always be followed including:

1. Disconnect power before performing work on electrical equipment.
2. Do not mount near gas or electric heaters.
3. Equipment should be mounted in locations and at heights where it will not be subjected to tampering.
4. The use of accessory equipment not recommended by Beghelli Inc., may cause an unsafe condition, and will void the unit's warranty.
5. Do not use this equipment for other than its intended purpose.
6. Servicing of this equipment should be performed by a qualified service personnel.
7. Suitable for non-insulated surface and frame. DO NOT cover fixture with insulation liner or similar material.
8. DO NOT install in unstable, loose or breakable surfaces.
9. DO NOT let objects impact or exert force on the surface of the fixture.
10. SAVE THESE INSTRUCTIONS!

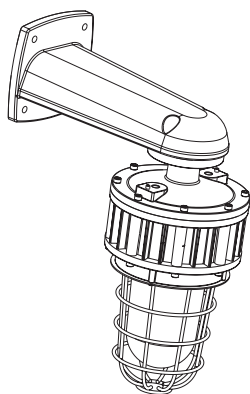
Fixtures must be wired in accordance with National electrical code and all applicable local codes. Proper grounding is required for safety.

This product must be installed in accordance with the applicable installation code by a qualified electrician who is familiar with the construction and operation of the product and the hazards involved.

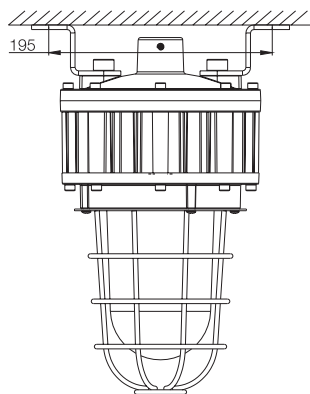
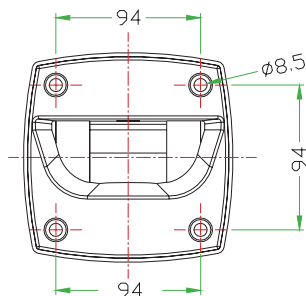
INSTALLATION STEPS (For Class I Div. 1 Group C, D Locations)



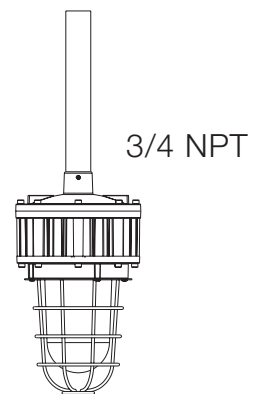
⚠ WARNING
Risk of fire, electric shock or personal injury
Before installation, turn off power!



Wall Mount



Surface Mount



Pendant Mount

1. Drill four Ø8mm holes 94mm apart for wall mount; drill two Ø10mm holes 195mm apart for surface mount; 3/4 NPT pipe for pendant mount. Use the screws to install the bracket on chosen surface.
2. Connect the AC; the Live wire, Neutral wire and grounding wire, before closing the power enclosure. For dimming: connect **purple** cable to Dim+, connect **gray** cable to Dim-.
3. Install the fixture to ceiling or wall. Adjust the light angle before tightening the fixing screw. Turn on the power to test that the light is working.

NOTE: For surface mount applications, the power cord cannot be exposed. Use explosion-proof conduit (supplied by others) to protect the cord, or order explosion-proof J-box accessory (sold separately).