



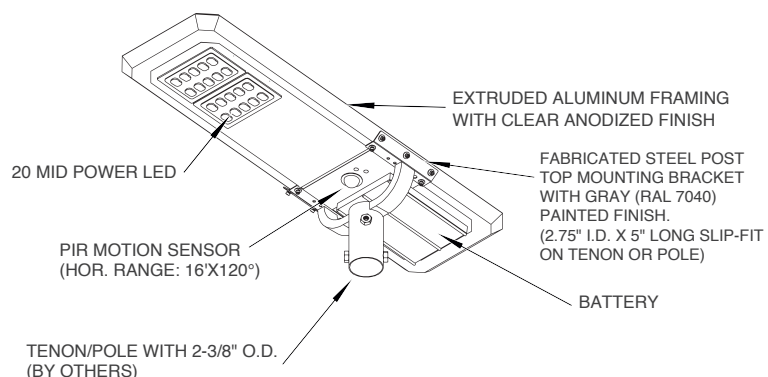
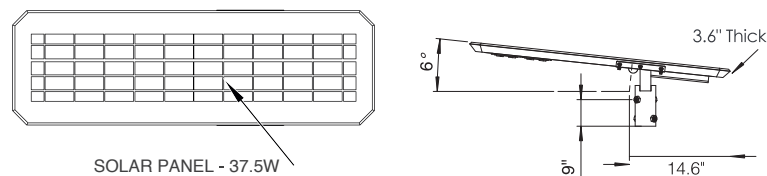
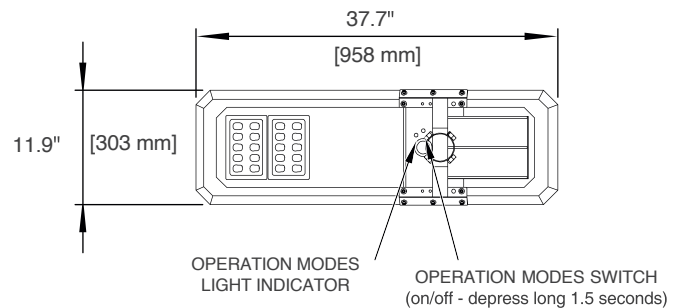
The **LUCE SOLARE® BLS-4A** is a solar street and area lighting solution that integrates the solar panel, battery and LED module into a single low-profile fixture. **BLS-4A** utilizes battery technology that will not drain below 10% capacity to ensure reliable re-charge for maximum performance.

The **BLS-4A** design eliminates bulky external battery boxes, while maximizing light output by using high efficiency mono-crystalline silicon solar cells and LEDs.

The **BLS-4A** incorporates a night sensor that detects ambient light to automatically turn the fixture on/off. An indicator light will blink 3x every 15 minutes during operation.

**APPLICATION:** The **BLS-4A** is ideal for temporary lighting, pathways, parking areas, public walkways, parks and roads.

SPECIFICATIONS		ADVANTAGES	
System Power Delivery	22.6W	• Integrated Solution	• \$0 Energy Costs
Solar Panel	37.5W, 16.2V	• Environmentally Friendly	• PIR Motion Sensor
LI-ION Battery	269.4 Wh, 18.2 Ah, 14.8V	• Easy Installation	• 3 Lighting Modes
Lumen Output	3259lm @ 5700°K <sup>1</sup> (5 SCDM)		
3030 LEDs	180-190lpw @ 150mA, 5.8-6V		
Operation Time	36 hrs (after full charge)		
Discharge Time	10-12 hrs (@ 100%)		
Discharge Operating Temperature	-20° to 60°C (-4 to 140°F)		
Charge Time	10-12 hrs minimum		
Charge Operating Temperature	0° to 60°C (32 to 140°F)		
Min. Solar Direct Normal Irradiance	0.2 KWh/m <sup>2</sup>		
Operation Mode (Green Light)	5 hrs @ 100% + 7 hrs @ 30% (+ PIR 100%)		
Operation Mode (Orange Light)	5 hrs @ 70% + 7 hrs @ 30% (+ PIR 100%)		
Operation Mode (Red Light)	12 hrs @ 30% (+ PIR 100%)		
Mounting Height <sup>(2)</sup>	9 - 13 ft		
Effective Projected Area (EPA)	3.2 ft <sup>2</sup>		
Distribution/ BUG Rating	Type II/ B1-U3-G1		
Certifications	IP65 / ROHS / FCC		
Weight	24.6 lbs / 11.1 kg		
Warranty	3 years		

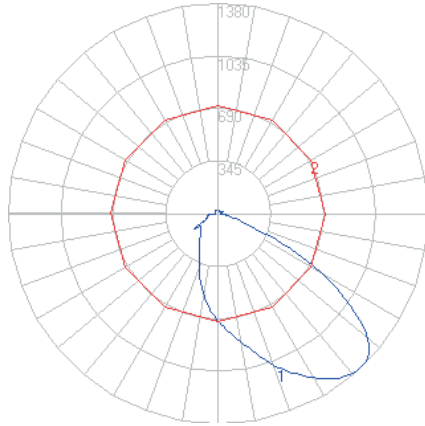


ORDERING INFORMATION	
<b>BLS-4A-5700K<sup>1</sup></b>	Solar area/ street light, 22.6W, 5700K, 3259 lm, aluminum finish
NOTE 1: 3500K & 3000K also available, consult factory for other color temperatures	
NOTE 2: The mounting height is an estimate and depends on the application	

Upon proper installation and start-up, Beghelli does not guarantee product performance meets specified performance levels. Unknown environmental conditions effect performance. In no event shall Beghelli be liable for special, incidental or consequential damages related directly or indirectly to the lack of product functionality and / or performance.

### PHOTOMETRICS

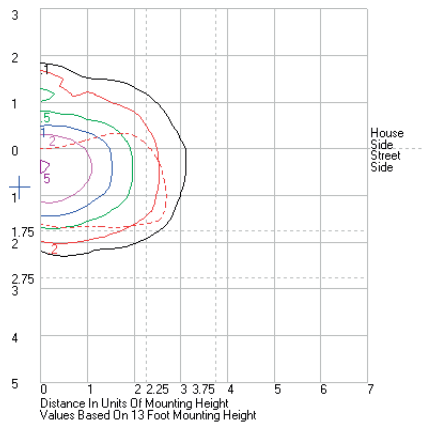
#### POLAR CURVES



#### Characteristics

IES Classification	Type II
Longitudinal Classification	Very Short
Luminaire Lumens	3259
Downward Total Efficiency	77%
Total Luminaire Efficiency	80%
Luminaire Efficiency Rating (LER)	144
Total Luminaire Watts	N/A (Power del.: 22.6W)
Solar Panel Watts	37.5
Upward Waste Light Ratio	0.04
Max.Cd.	1379.856 (330H, 43V)
Max. Cd. (<90° Vert.)	1379.856 (330H, 43V)
Max. Cd. (At 90° Vert.)	22.256 (0.5% Lamp)
Max. Cd. (80-90° Vert.)	168.728 (4.1% Lamp)
Cutoff Classification (depreciated)	Cutoff

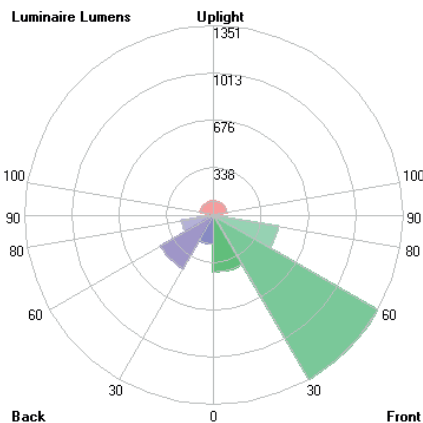
#### ISOLINES



#### Lum. Classification System (LCS)

LCS Zone	Lumens	%Lamp	%Lum
FL (0-30)	404.4	9.9	12.4
FM (30-60)	1351.0	33.2	41.4
FH (60-80)	465.7	11.4	14.3
FVH (80-90)	22.9	0.6	0.7
BL (0-30)	208.6	5.1	6.4
BM (30-60)	438.9	10.8	13.5
BH (60-80)	231.0	5.7	7.1
BVH (80-90)	20.6	0.5	0.6
UL (90-100)	19.1	0.5	0.6
UH (100-180)	97.2	2.4	3.0
<b>Total</b>		<b>3259.4</b>	<b>80.1 100.0</b>

**BUG Rating B1-U3-G1**



#### SPACING

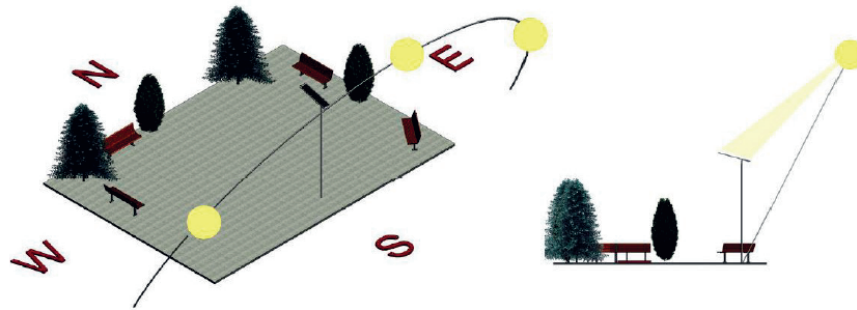
Metric units	Lumen Output = 3259lm	
	Recommended Mounting Height = 13 ft (4m)	
	Spacing to reach 0.5 fc	Spacing to reach 1 fc
ft	24.7	19.5
m	7.5	5.9

Note: 5700K CCT lumen output

### ORIENTATION

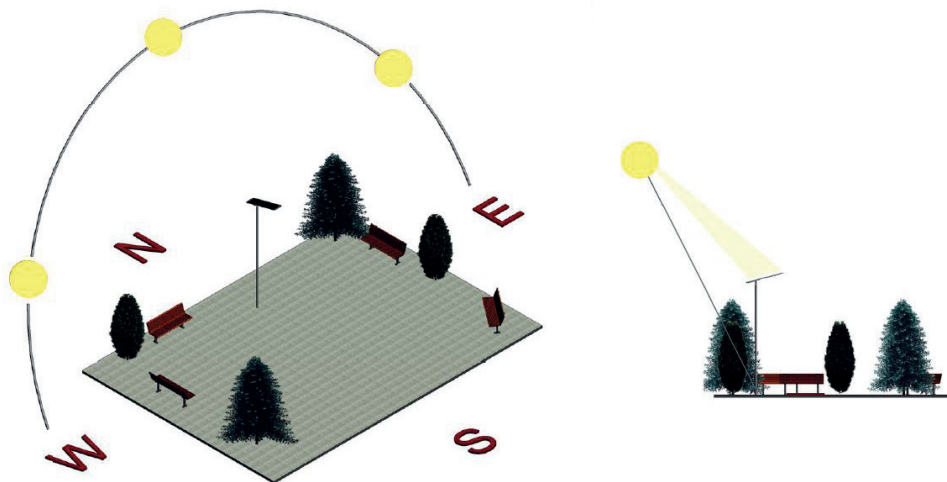
CHARGING PERFORMANCE ORIENTATION FOR NORTHERN HEMISPHERE  
South 100%, East 75%, West 70%, North 46%

#### NORTHERN HEMISPHERE Sun's Path in the Sky



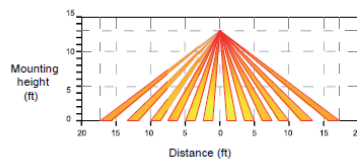
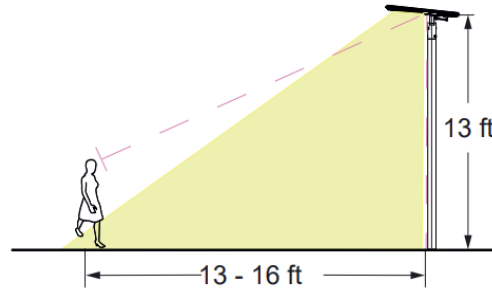
These graphics illustrate Luce Solare orientation, in which the fixture can absorb the maximum solar energy from the sun (south 100%).

#### SOUTHERN HEMISPHERE Sun's Path in the Sky

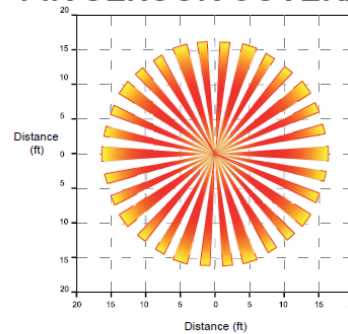


These graphics illustrate Luce Solare orientation, in which the fixture can absorb the maximum solar energy from the sun (north 100%).

### PIR SENSOR COVERAGE



### PIR SENSOR COVERAGE



#### COVERAGE PATTERN

Product	Recommended installation height	PIR sensor coverage
BLS-4A	13ft	16ft max

### LUCE SOLARE TURN ON/OFF LIGHT LEVELS

Light Level in lux (fc)	Mode
10 - 30 (0.93 - 2.78)	Turn on
50 - 100 (4.6 - 9.3)	Turn off